



### FEATURES

- 180mm and 230mm toilet installation hole center distance, suitable for different toilets .
- 200mm adjustable length, suitable for different installation requirements .
- Convenient construction operation .

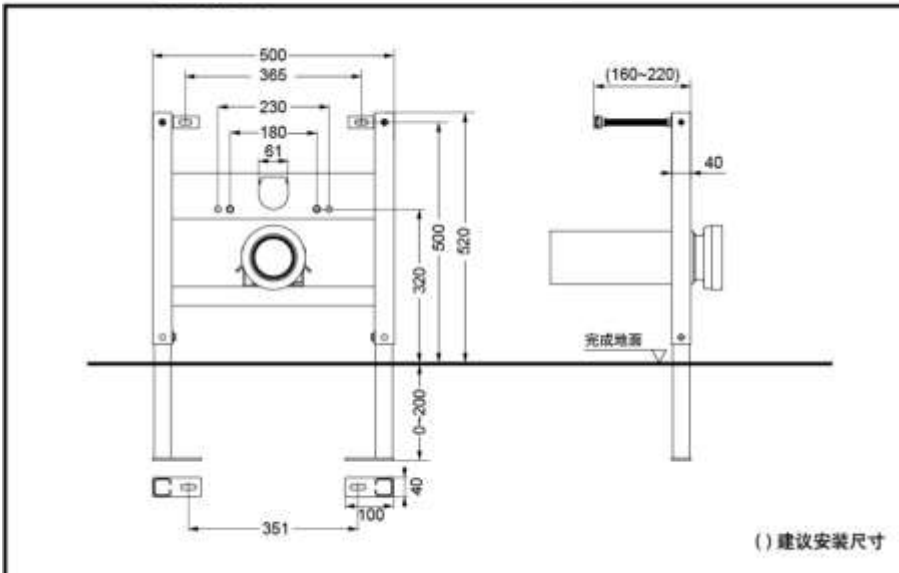
### SPECIFICS

Size : 520x500x165mm

Please choose the downward drainage elbow in the case of downward drainage---**HP511T**



### WH005B Wall-embedded holder



### OTHERS

Recommend fittings :  
CW822series, CW553series,  
CW562series.