

CW830EB#XW
SW830EB#W
HP601T3/T4

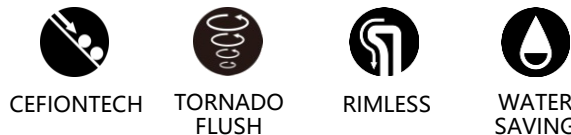


FEATURES

- Premist technique applied, prevents dirt attached.
- Traditional style, elegant white perfect presentation.
- 4.8L flushing, water saving and environmental protection.

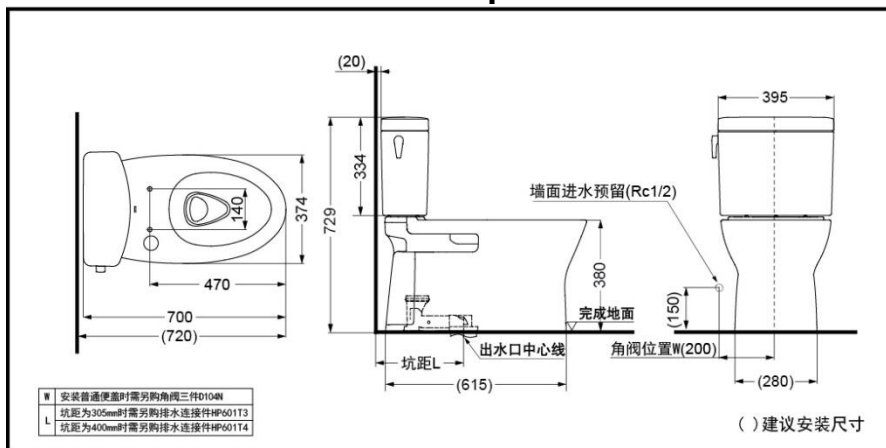
SPECIFICS

Size: 700x395x729mm
 Water Inlet Requirement: 0.05MPa(Dynamic Pressure)~0.75MPa(Static Pressure)
 Nominal water consumption: 4.8L
 Water Efficiency: Grade2
 Flush type: Washdown
 Drainage mode: Underneath Drainage
 Rough-in: 305/400mm



It must be installed with HP601T3 or HP601T4

CW830EB/SW830EB Two-piece Toilets



OTHERS

Recommend fittings:

Washlet: S2,C2series.

Toilet cover:

TC400CVK-1; TC401CVK-1

Toilet installation kit:

D106A; D104N.