

# TOTO

## Wall-Mount Mixer/Valve + Box

TBG08303BA  
(On/Off Switch)

TBG08304BA  
(2-Way Diverter with off)

Univalve Box  
TBN01001B

Univalve Box  
TBN01001B



Comfort  
Glide



Mini Unit

TBG08303BA  
TBG08304BA

### FEATURES

- Elegant appearance.
- Classical shape reveals elegant taste.
- Easy installation and usage.

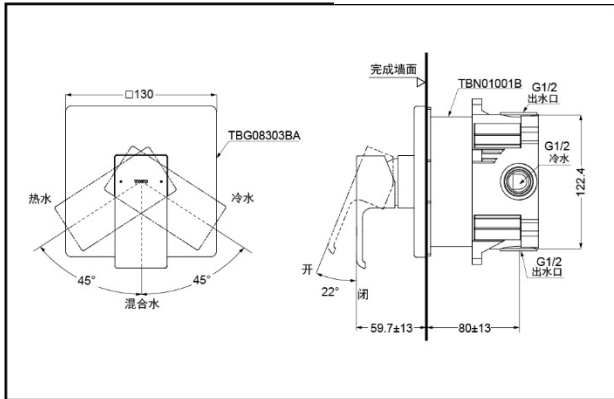
### SPECIFICS

Water Inlet Requirement:  
0.05MPa (Dynamic Pressure) ~ 1.0MPa (Static Pressure)

### Others

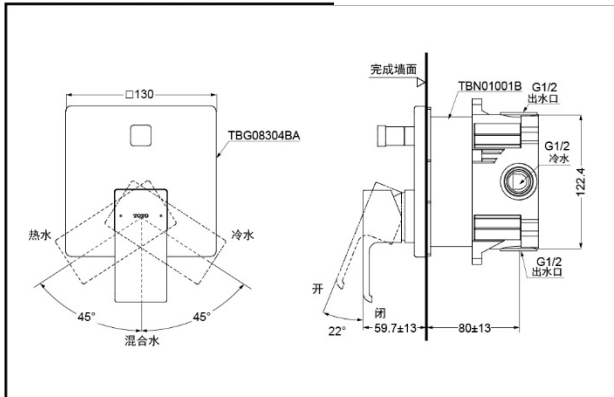
Series: GC  
Recommend fittings :  
G series Shower

TBG08303BA+TBN01001B Wall-Mount Mixer/Valve+Box



\*TOTO公司保留对其产品规格和尺寸更改的权利 届时 恕不另行通知  
\*TOTO(CHINA) CO.,LTD. All rights reserved

TBG08304BA+TBN01001B Wall-Mount Mixer/Valve+Box



\*TOTO公司保留对其产品规格和尺寸更改的权利 届时 恕不另行通知  
\*TOTO(CHINA) CO.,LTD. All rights reserved

TOTO(CHINA) CO.,LTD. www.toto.com.cn