

# TOTO

## Floor standing Tub Filler(W/Hand Shower)

TBP01301B1

TBP01301B1#BN

TBP01301B1+TBN01105B(Mounting fittings)  
TBP01301B1#BN+TBN01105B(Mounting fittings)



Comfort  
Glide



Comfort  
Wave

※Mounting fittings TBN01105B not included

### FEATURES

- Elegant appearance.
- Beautiful curves reveal elegant taste.
- Easy usage with sufficient flow.

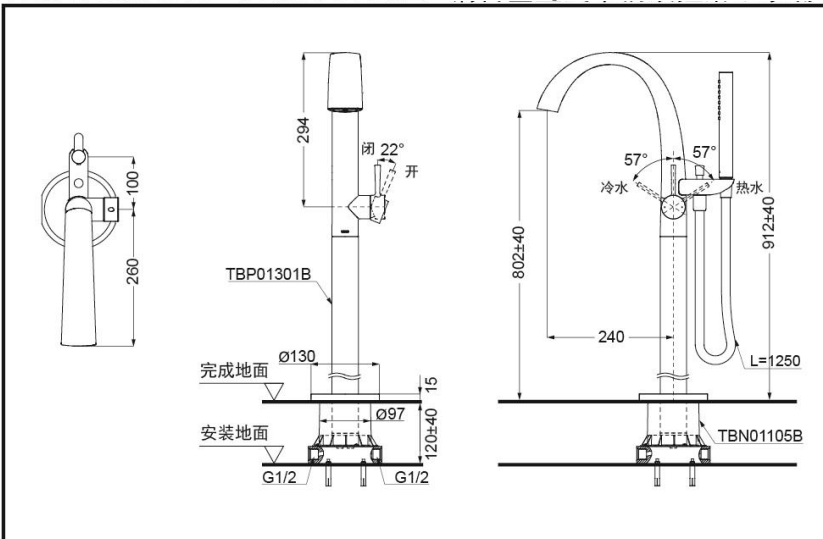
### SPECIFICS

Water Inlet Requirement:  
0.05MPa(Dynamic Pressure)~  
1.0MPa(Static Pressure)

Water Efficiency:  
Grade2(Handshower)

TBP01301B1+TBN01105B

Floor standing Tub Filler(W/Hand Shower)



TOTO(CHINA) CO.,LTD. All rights reserved.

### OTHERS

Recommend fittings:  
Galaline massage bathtub  
PJYD2200PW