



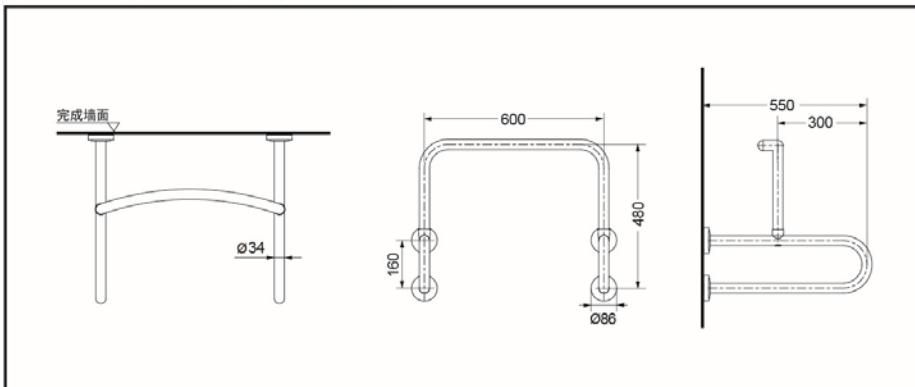
FEATURES

- Stainless steel with white resin coating, feels soft without any cold.
- Fouling resistance, easy to clean with neutral detergent or alcohol.
- Easy to install and use.

SPECIFICS

Size: 600x550x480mm

T112CU2 V3NW Urinal Handrail



*TOTO(CHINA) CO.,LTD. All rights reserved.