



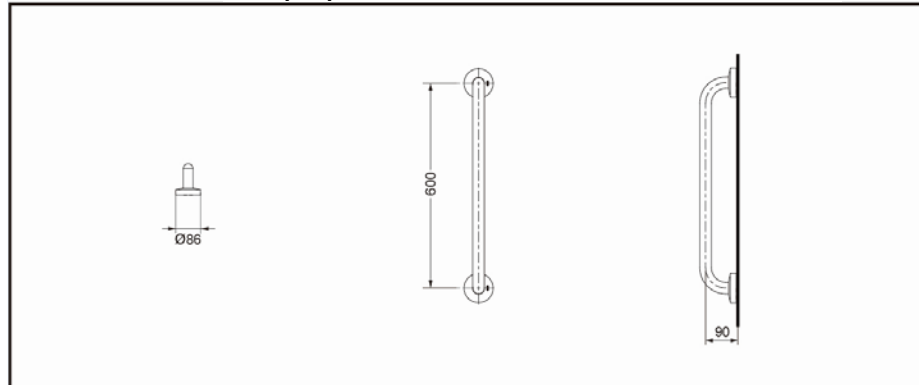
FEATURES

- Stainless steel with white resin coating, feels soft without any cold.
- Fouling resistance, easy to clean with neutral detergent or alcohol.
- Easy to install and use.

SPECIFICS

Size: 90x600x86mm

T112C6 V3NW Multipurpose handrail



*TOTO(CHINA) CO.,LTD. All rights reserved.