

TBG02001B



TBG02001B

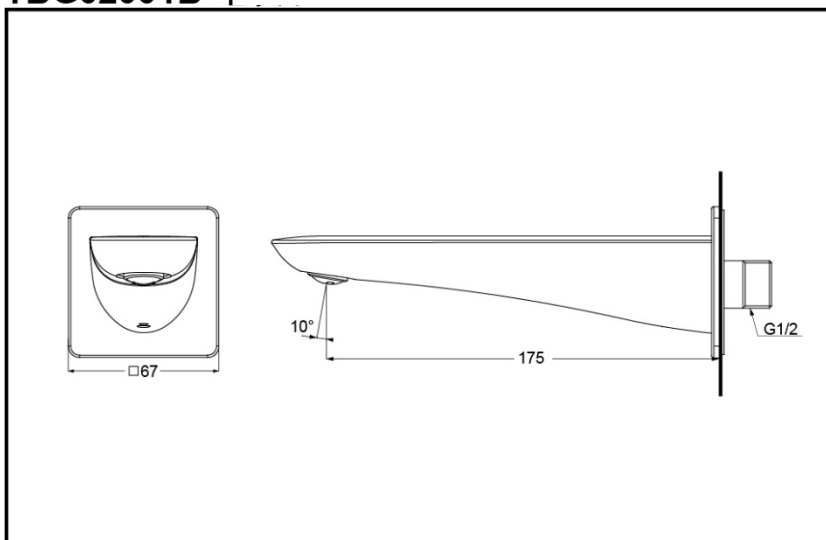
FEATURES

- Elegant appearance.
- Beautiful curves reveal elegant taste.

SPECIFICS

Water Inlet Requirement:
0.05MPa(Dynamic Pressure)~1.0MPa(Static Pressure)

TBG02001B Spout



*TOTO(CHINA) CO.,LTD. All rights reserved.

Others

Series: GR/GA