



TOTO

小便器用排水法兰 壁挂USWN900系列·USWN902系列·UWN903系列·UWN901系列·U901系列用

为了充分发挥产品的性能，请按安装说明书内容正确安装。
安装后，请向顾客详细说明使用方法。

1 安全注意事项（为了安全起见，请务必遵守）

安装前，请仔细阅读“安装注意事项”，并正确安装。
为了使您能正确地安装该产品，防止危害您或他人的安全及财产损失，本说明书记载了各种标志。
其标志和内容说明如下。

标志	内容
	注意 表示无视此标志而误操作时，有可能会造成人身伤害或财产损失。

※财产损失，是指房屋、家具及家畜、宠物相关的扩大损失。

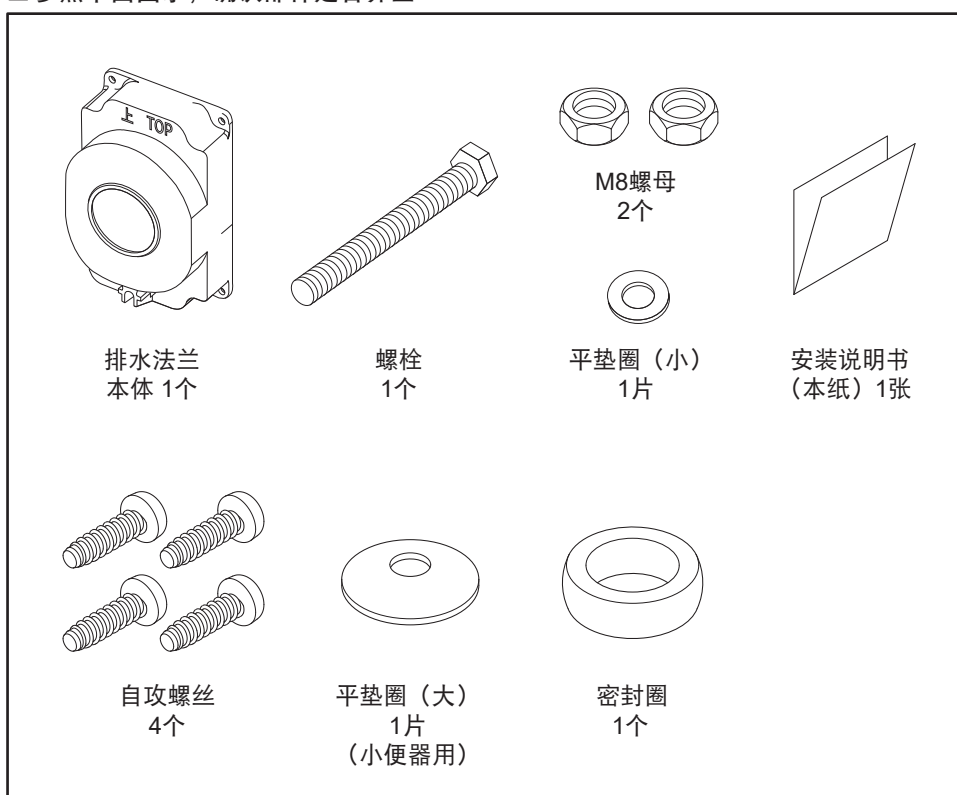
下面以图片为例，说明用户务必遵守的事项的种类。

	表示务必实施的“强制”内容。左图表示“必须实行”。
--	---------------------------

注意	
	安装后请务必试运行，确认各部位是否漏水 否则可能会因漏水，造成家具等财产损失。
必须实行	安装时，请务必使用随附部件及指定部件 否则可能会无法正常安装。

2 同捆部件

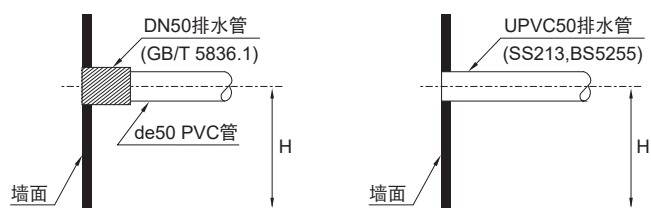
■参照下面图示，确认部件是否齐全。



3 安装排水法兰的陶瓷固定用螺栓

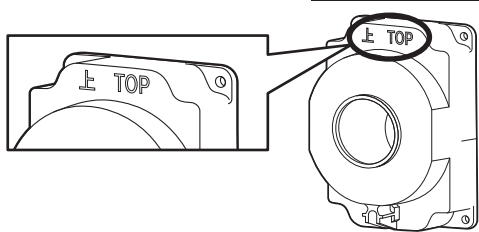
- ①确认排水管高度
※非从完成墙面的长度

排水管高度 (H)	
USWN900系列/UWN901系列/U901系列	225mm
USWN902系列/UWN903系列	485mm

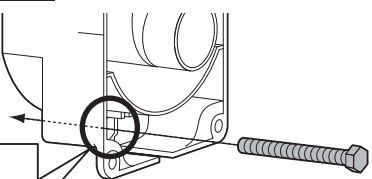


- ②将标示为“上”的一侧朝上，按下面步骤安装螺栓，确保螺母完全紧固。

排水法兰表示内容



●插入螺栓



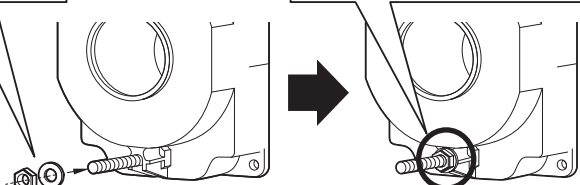
注意
螺栓的头部应放入六角凹槽内。

若未放入凹槽内进行紧固时，可能会导致产品破损。

●安装平垫圈(小)、M8螺母

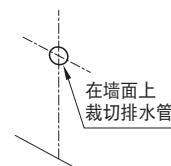
插入平垫圈(小)后，
紧固M8螺母

注意 确保螺母完全紧固。
若过于紧固时，可能会导致产品破损。



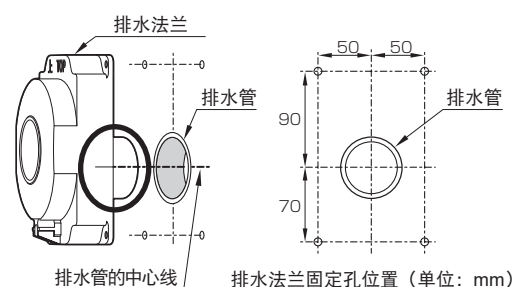
4 安装方法

- ①加工完墙壁后，在完成墙面上切断排水管。



- ②根据排水法兰的安装孔位置（参照右图），对准排水管的中心线，画出固定孔位置。
※若在画出位置预先打好φ3大小的孔，安装自攻螺丝会比较容易。

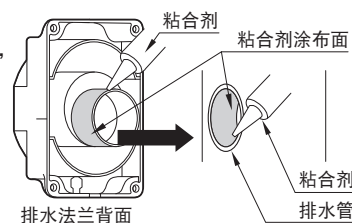
※排水法兰的中心指示线和排水管的中心线一定要对准。



注意

必须实行 除去排水管切断面的毛边和碎屑
否则可能会因漏水，造成家具等财产损失。

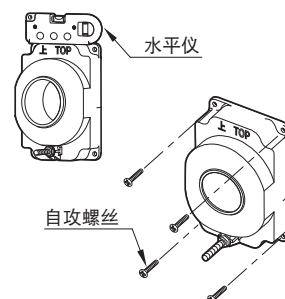
- ③在排水法兰和排水管的接触部位涂上PVC管用粘合剂，将排水法兰塞入至排水法兰背面与墙壁面顶住。
※一旦粘合就无法更改了，请注意。



注意

必须实行 必须在排水法兰和排水管两边都涂上粘合剂
粘合剂的涂布面是排水法兰的外圈和排水管的内圈。
若只在单侧涂布或涂布位置错误，可能会因漏水而造成家具等受潮，使财产遭受损失。还会泄漏臭气。

- 注意** 确认排水法兰上部的水平度
如安装倾斜，可能导致小便器无法正常安装。
排水法兰需塞入至背面与墙壁面顶住



- ④使用自攻螺丝，将排水法兰固定在墙上（4处），其背面顶住墙壁。

自攻螺丝

TOTO

Urinal flange wall mounted USWN900 Series · USWN902 Series · UWN903 Series · UWN901 Series · U901 Series type

Install the product properly according to this installation manual for best performance.
When the installation work is complete, give a detailed explanation of how to use this product to the customer.

1 Safety Cautions (Observe these cautions for safety's sake.)

Read these "Safety Cautions" carefully before starting installation work. Install the product properly. This manual uses various indications to ensure a proper, safe installation and to prevent injury to the customer, injury to other people and damage to property. The symbols should be interpreted as follows.

Indication	Meaning
Caution	This symbol indicates the possibility of personal injury and physical damage if the information provided is disregarded.

* Physical damage means damage to houses/household effects, livestock, and pets.

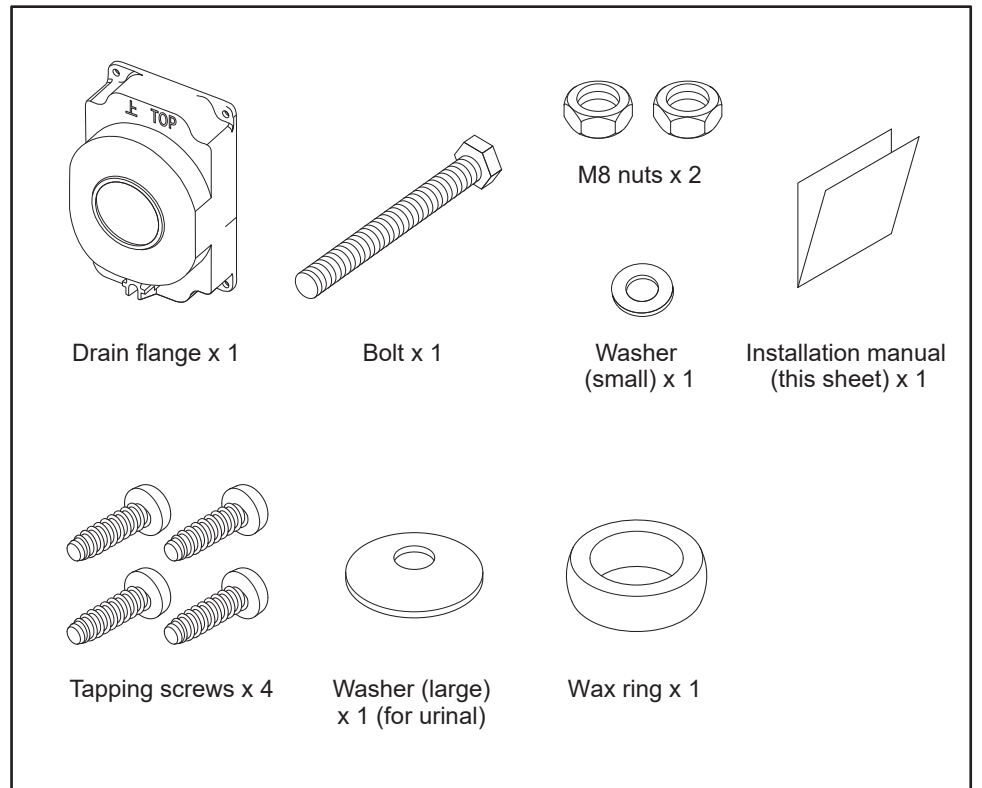
The pictures below are categorized by the following symbols and explained below.

(!)	means a "Required" action you must do. The figure to the left shows "Required."
-----	---

Caution	
	<p>After installation, be sure to test run the system and check that there are no water leaks anywhere. Otherwise, water may leak onto household effects causing property damage.</p> <p>Be sure to use the included or specified parts for installation work. Otherwise, the product may not be installed properly.</p>

2 Included parts

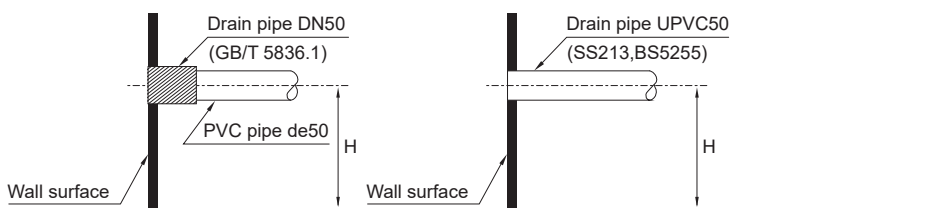
Check unnecessary if all the parts below are included.



3 Installing the bolt for fixing the drain flange to the urinal

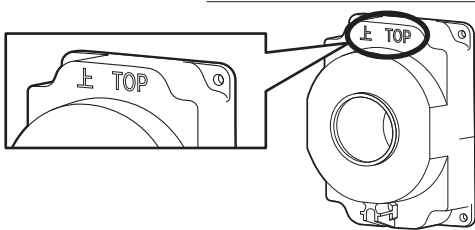
- Check the drain pipe height.
* It's not the length of the pipe.

The drain pipe height (H)	
USWN900 Series/UWN901 Series/U901 Series	225mm
USWN902 Series/UWN903 Series	485mm

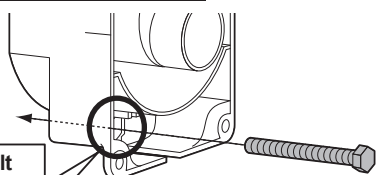


- Align the drain flange so that the side marked "TOP" is on the top. Use the following procedure to install the bolt, then tighten the nut securely.

Marking content on the drain Flange



Inserting the bolt

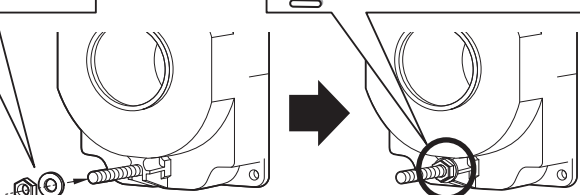


Note The head of the bolt must be contained in the hexagonal recessed section.
If you tighten the bolt with its head not contained there, it may break.

Installing the washer (small) and M8 nuts

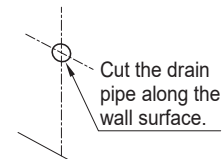
Install the washer (small), then tighten the M8 nuts.

Note Make sure that the nuts are securely tightened. Overtightening could cause damage.



4 Installation procedure

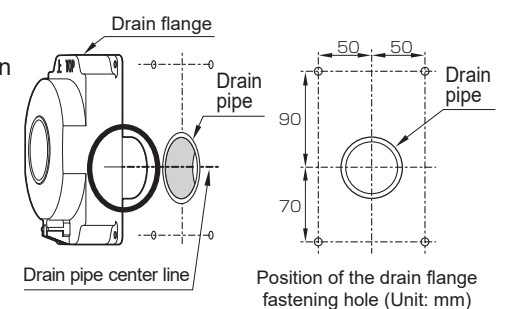
- After the installation on the wall, cut the drain pipe on the finished surface of the wall.



- Align the center line of the drain pipe according to the drain flange installation hole position (shown in the figure on the right), then mark the fastening hole position.

* If you drill a pilot hole with a diameter of about 3 mm at the marked position, this makes it easier to tighten the tapping screw.

* Always align the standard centerline on the drain flange with the centerline of the drain pipe.

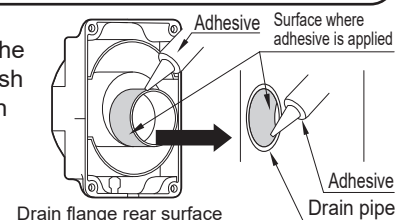


Caution

Required Remove any burrs and debris from the drain pipe cutting surface. Otherwise, water may leak onto household effects causing property damage.

- Apply PVC pipe adhesive to the section where the drain flange and the drain pipe connect, then push the drain flange until the rear surface of the drain flange touches the wall surface.

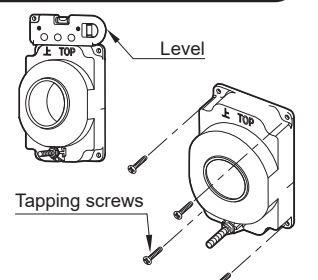
* Note that once the adhesive is applied, the joint cannot be changed.



Caution

Required Be sure to apply the adhesive to both the drain flange and the drain pipe. Adhesive should be applied to the surfaces on the outer circumference of the drain flange and the inner circumference of the drain pipe. If the adhesive is applied to only one side or in the wrong location, this could cause water leaks from the drain flange that could result in flooding damage to property, such as household belongings. This can also cause bad odor leaks.

Note Always check that the drain flange top surface is level. If the drain flange is installed tilted, the urinal may not be installed correctly. Push in until the drain flange touches the wall surface.



- Fasten the drain flange with four tapping screws until the rear surface of the drain flange touches the wall.