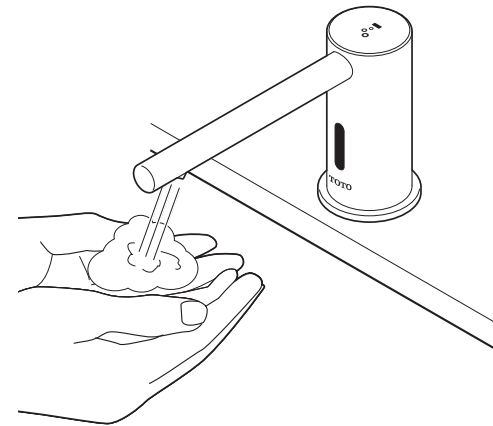


自动感应皂液器  
Touchless Soap Dispenser



TLK02001\* TLK02002\*  
TLK01101\* TLK01102\*  
TLK01103\* TLK01104\*  
TLK07001\* TLK07002\* TLK07003\*  
TLK08001\* TLK08002\* TLK08003\*  
TLK09001\*

首先对您能选购本公司产品表示我们最真挚的谢意。  
请仔细阅读本说明书后正确使用。  
本说明书内附有保证书，请妥善保管，并在必要时取出阅读。

Warranty Registration and Inquiry

For product warranty registration, TOTO U.S.A. Inc. recommends online warranty registration. Please visit our web site <http://www.totousa.com>. If you have questions regarding warranty policy or coverage, please contact TOTO U.S.A. Inc., Customer Service Department, 1155 Southern Road, Morrow, GA 30260 (888) 295-8134 or (678) 466-1300 when calling from outside of U.S.A.

## 目录 TABLE OF CONTENTS

部品名称 INCLUDED PARTS.....	3
安装步骤 INSTALLATION PROCEDURE .....	5
试运行 TESTING .....	13

## 感谢您选购TOTO! THANK YOU FOR CHOOSING TOTO!

TOTO致力于为世界提供更健康、卫生和舒适的生活方式。对于每一件产品，我们均以形式和功能的平衡统一作为指导原则来设计。祝贺您作出了正确的选择。

The mission of TOTO is to provide the world with healthy, hygienic and more comfortable lifestyles. We design every product with the balance of form and function as a guiding principle. Congratulations on your choice.

## 警告 WARNINGS

请阅读并遵守以下注意事项。否则可能导致人员伤亡或财产损失。

- 除非本手册中特别说明，除售后服务工程师以外的人员不得拆卸、修理或改造本皂液器。否则可能会导致触电或产品故障。
- 请勿在表面可能积聚冷凝水的潮湿环境（特别是桑拿房或蒸汽室）使用本皂液器。
- 请勿敲击或踢打吐皂口本体或机能部，否则可能会导致产品损坏或引起泄漏。
- 请勿在室温低于冰点的房间使用本皂液器。
- 请确保电源线不与热水供水管接触。
- 请避免在红外感应器检测范围内放置任何物品。
- 仅可使用TOTO指定的皂液才能避免保修失效。
- 请确保电源插座位于使用期间不会受潮的位置。

Please read and adhere to the following notes. Failure to do so could result in personal injury and/or property damage.

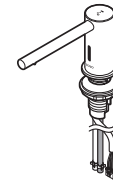
- No person other than a service engineer should disassemble, repair or modify this dispenser, unless it is specifically described in this manual. Failure to do so may result in electric shock or product malfunction.
- Do not use this dispenser in a humid location where condensation may collect on the surface, especially in a sauna or steam room.
- Do not strike or kick the dispenser or controller box, as this may damage the unit or cause a leak.
- Do not use this dispenser if the room temperature drops below freezing.
- Make sure the power cord does not come in contact with the hot water supply line.
- Avoid placing any objects within the detection range of the infrared sensor.
- Use only TOTO approved liquid soap to avoid invalidation of warranty.
- Make sure the electrical outlet is in a position where it will not get wet during use.

## 安装前 BEFORE INSTALLATION

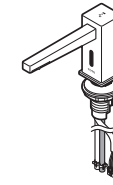
- 为确保正确进行安装，请仔细阅读这些说明。
- TOTO保留更新产品设计的权利，恕不另行通知。
- 请进行检查，确认您的产品中包含以下页面中显示的部件。
- Read these instructions carefully to ensure proper installation.
- TOTO reserves the right to update product design without notice.
- Check to make sure you have the parts indicated on the following page.

## 部品名称 INCLUDED PARTS

### 吐皂口本体 Spout parts



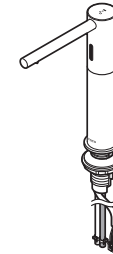
TLK07001\*



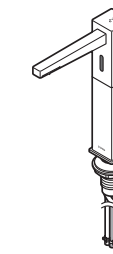
TLK08001\*



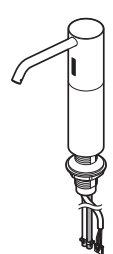
TLK02001\*



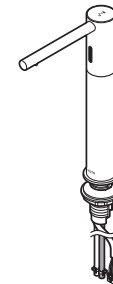
TLK07002\*



TLK08002\*



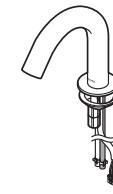
TLK02002\*



TLK07003\*

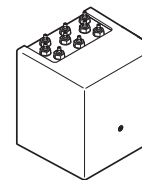


TLK08003\*



TLK09001\*

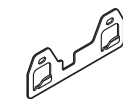
### 机能部 Controller



固定板  
Anchoring plate



螺丝  
Screw  
(Φ5.1×32)  
Screw  
(Φ 5.1 x 32)



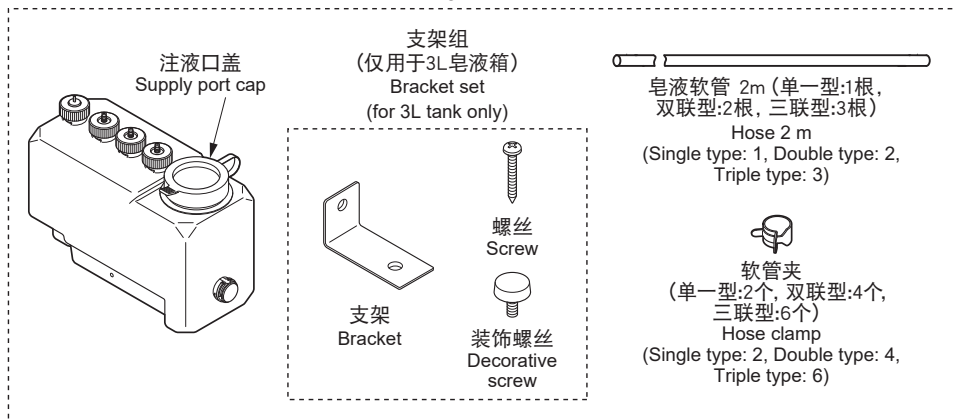
安装支架  
Mounting bracket



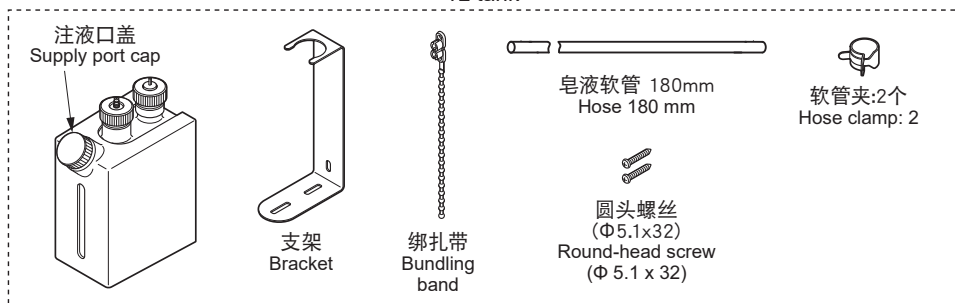
沉头自攻螺丝  
Countersunk  
tapping screw  
(Φ 4 x 10)

部品名称(续) INCLUDED PARTS (Continued)

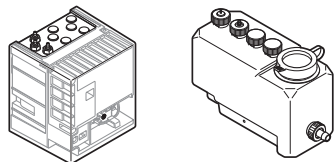
3L皂液箱  
3L tank



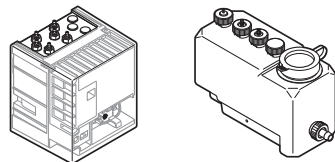
1L皂液箱  
1L tank



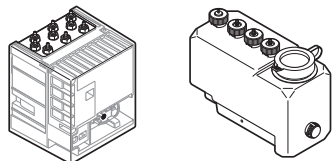
TLK01101\*



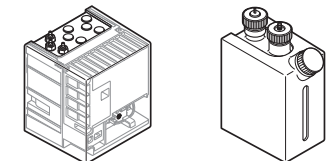
TLK01102\*



TLK01103\*



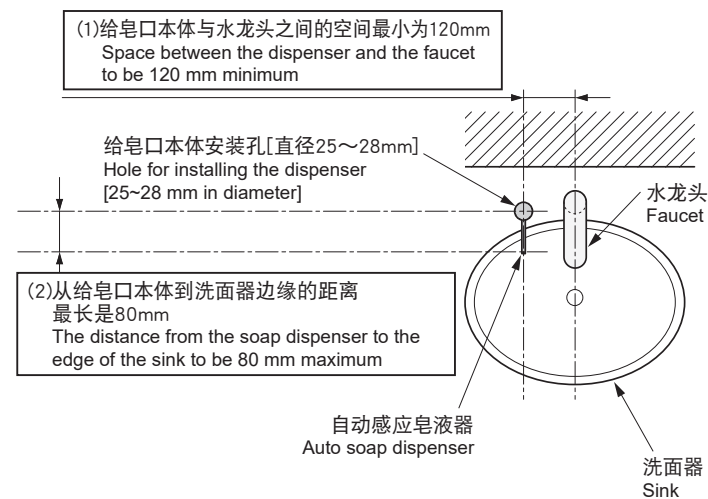
TLK01104\*



安装步骤 - 定位 INSTALLATION PROCEDURE - POSITIONING

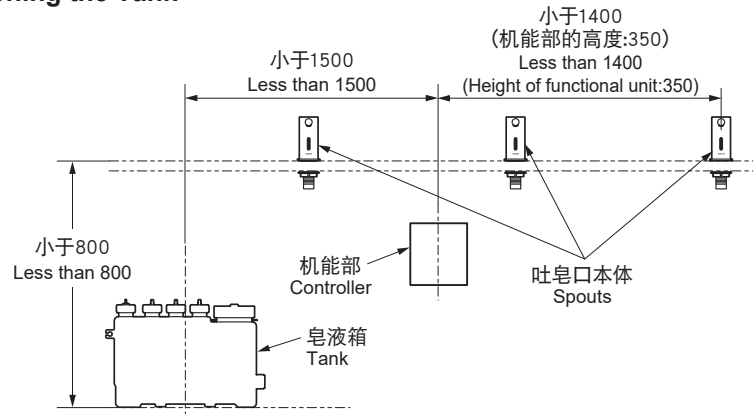
定位吐皂口本体  
Positioning the Dispenser

1. 为防止意外触发, 吐皂口本体和水龙头之间至少留出120mm的空间。  
Make sure to leave at least 120 mm of space between the soap dispenser and the faucet to prevent accidental activation.
2. 从洗面器的内边缘到吐皂口本体安装孔最大需留出80mm的空间, 以确保皂液器吐皂口的残留皂液可滴入洗面器中。  
Leave 80 mm of space maximum from the inside edge of the sink to the spout installation hole to ensure that any residual soap drips from the dispenser spout into the sink bowl.



定位皂液箱  
Positioning the Tank

单位: mm  
Unit : mm



- 将皂液箱安装在距离台面上表面800mm的范围之内。它也不应该超过机能部上端的高度。它不能安装在台面上或更低平面上。如果超出此范围安装,可能会出现以下故障。喷皂液少和皂液不起泡。

Install the liquid soap water tank within 800 mm from the upper face of the counter. It also should not exceed the height of the upper end of the controller. It cannot be installed on the counter or on the lower level.

If it is installed beyond this range, the following troubles may occur. Less water spouts and the soap does not foam.

- 连接到吐皂口本体的皂液软管的长度是1.8m。安装机能部时应使皂液软管可以连接到机能部。The length of the hose connected to the spout is 1.8 m. Install the controller so that the hose can be connected to the controller.

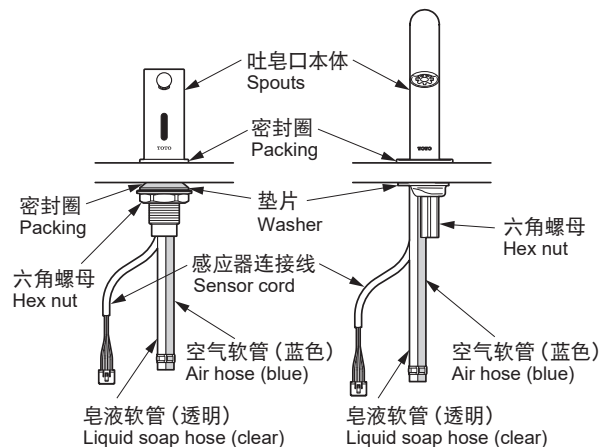
安装步骤 - 吐皂口本体 INSTALLATION PROCEDURE - Spout

- 将吐皂口本体插入台面(或洗面器)的安装孔中。  
Insert the dispenser into the installation holes in the counter (or the sink).

- 依次安装垫片和六角螺母。  
Secure the dispenser with washer and hex nut.

**注意**  
确保感应器连接线和管路没有发生扭曲。

**Caution**  
Make sure that the cords and tubes do not get crimped.

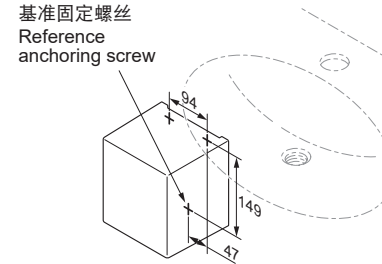


标记固定板螺丝孔的位置

根据尺寸图确定机能部的固定位置,并在墙壁上标记螺丝孔位置。

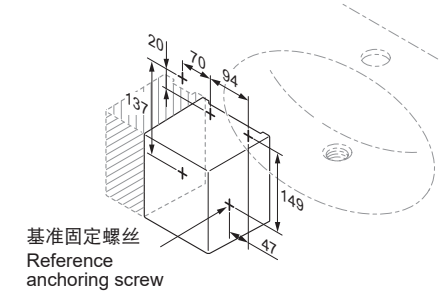
Marking of the positions of the screw holes for the anchoring plate  
Decide the anchoring position of the controller and mark the positions of screw holes on the wall by referring to the dimensional drawing.

[ 3L箱型 ]  
[ 3L Tank Type ]



[ 1L箱型 ]  
[ 1L Tank Type ]

单位: mm  
Unit : mm



将机能部安装在瓷砖或混凝土墙体上

Installing the controller on a tiled or concrete wall

- 在螺丝孔位置钻孔,然后插入膨胀管(现场购买)。

\*请购买与螺丝相匹配的膨胀管(Φ 5.1 x 32)。

Drill a rough hole at the screw hole position and drive in the curl plug (procure in the field).

\* Procure a curl plug that matches the screw (Φ 5.1 x 32).

- 使用一个沉头自攻螺丝将固定板固定到机能部上。

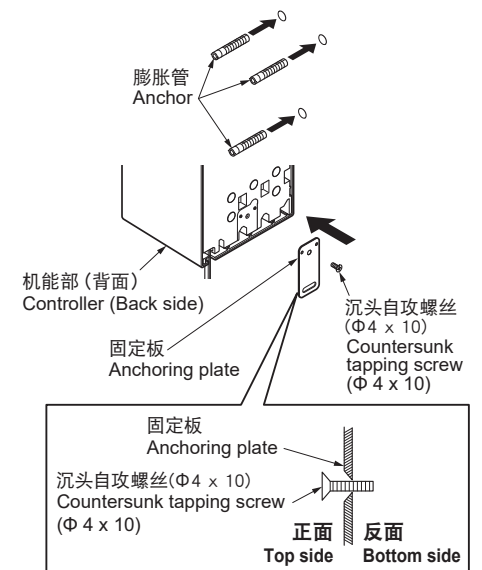
Anchor the anchoring plate to the controller with one countersunk tapping screw.

**注意**

- 请勿用电动螺丝刀拧紧螺丝。这些螺丝仅可手动拧紧。
- 注意请勿装反固定板的正面和反面。

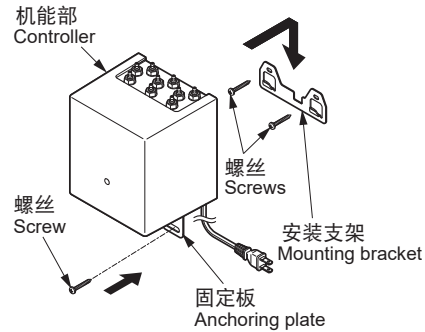
**Caution**

- Do not tighten the screws with an electric screwdriver. These should be tightened manually.
- Pay attention not to confuse the top side and the bottom side of the anchoring plate.



## 安装步骤 - 机能部 (续) INSTALLATION PROCEDURE - Functional Unit (Continued)

- 用两颗螺丝定位并固定支架。  
Position and anchor the bracket with two screws.
- 将机能部挂在安装支架上, 并用一颗螺丝固定其固定板。  
Hang the controller on the mounting bracket and anchor the anchoring plate with one screw.



### 将机能部安装在木质墙体上 Installing the controller on a wooden wall

确认木质墙体的结构能够承受机能部(三联型)的重量(2kg)。(如果墙体干燥, 为了支撑机能部, 请确保胶合板基层厚度大于12mm。)用两颗螺丝固定安装支架, 然后用一颗螺丝固定其固定板。根据需要充分加固墙体结构。

Confirm that the wooden wall has a structure that can sustain the weight (2 kg) of the controller (Triple type). (In the case of dry wall, in order to hold the controller, make sure the plywood base is more than 0.5 inch thick.) Anchor the mounting bracket with two screws and anchor the anchoring plate with one screw. Reinforce the wall structure sufficiently as needed.

#### 注意

- 请水平安装机能部。
- 注意请勿夹住感应器连接线或使感应器连接线接触到边缘。

#### Caution

- Install the unit body horizontally.
- Pay attention not to pinch of the electric cord or contact it with edges.

### 螺丝位置与侧面和下表面之间的关系 Relation between the screw positions and the side and lower face

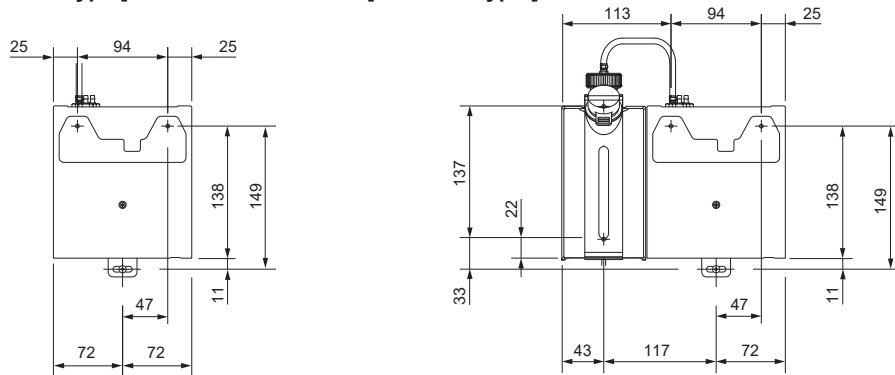
[ 3L箱型 ]

[ 3L Tank Type ]

[ 1L箱型 ]

[ 1L Tank Type ]

单位: mm  
Unit : mm



## 安装步骤 - 皂液箱 INSTALLATION PROCEDURE - Tank

[ 3L箱型 ]  
[ 3L Tank Type ]

使用支架将皂液箱固定在地板上。  
Using the bracket to anchor the tank on the floor.

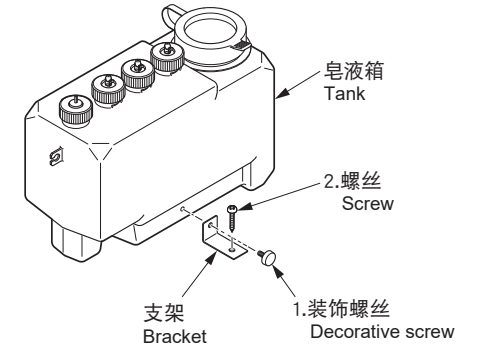
- 使用装饰螺丝(应该用手拧紧)将皂液箱和支架进行固定。  
Anchor the tank and the brackets with the decorative screws that should be tightened by hand.
- 用螺丝将皂液箱安装在地板上。  
Install the tank on the floor with the screw.

#### 提示

如果地板是混凝土材质, 则需首先插入膨胀管。

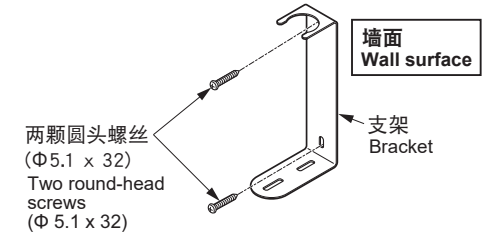
#### Note

If the floor is made of concrete, embed the curl plugs first.

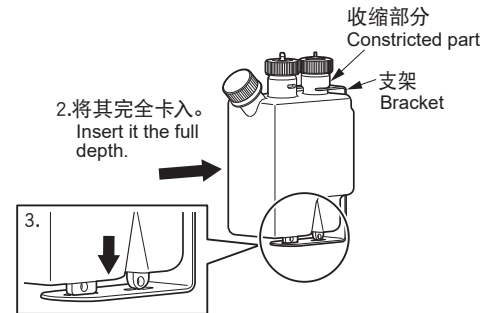


[ 1L箱型 ]  
[ 1L Tank Type ]

- 用随附的圆头螺丝固定支架。  
Anchor the bracket with the attached round-head screw.

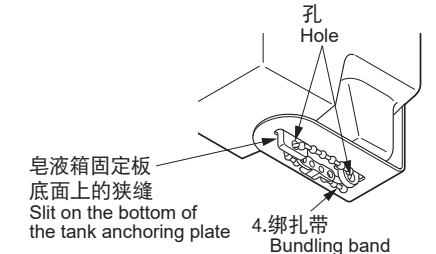


- 将皂液箱收缩部分完全卡入支架。  
Pass the constricted part of the tank between the bracket and insert it the full depth.



- 将皂液箱插入支架底面上的狭缝中, 并使其穿过两个孔。  
Insert the tank in the slit on the bottom surface of the bracket and pass it through the two holes.

- 系上绑扎带。  
\* 绑扎带用于防止皂液箱与物体碰撞时掉落。如果皂液箱安装在墙体等的后面, 则不需要系上绑扎带。  
Attaching the bundling band.  
\* The bundling band serves to prevent the tank from falling off if the tank collides with something. If the tank is installed behind a wall, etc., it is not necessary to attach the bundling band.





### 皂液软管连接 Hose Connections

1. 将皂液软管剪切至适当的长度，以达到所连接的部分。  
(在吐皂口本体和机能部之间)  
(在机能部和皂液箱之间)  
Cut the hoses to an appropriate length that reaches to the connected part.  
(Between the spouts and the controller)  
(Between the controller and the tank)

#### 注意

使用剪刀等剪断皂液软管，使剪切表面垂直。

#### Caution

Using a cutter, etc., cut the hoses so that the cut surface becomes vertical.

2. 将皂液软管完全插入机能部，然后将软管夹放在接头的凸出部分上来牢固地固定皂液软管。

Insert the hose fully into the controller and put the hose clamp on the projection of the joint to anchor the hose securely.

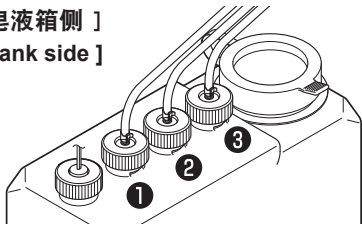
#### 注意

- 按预定的配对连接皂液软管和感应器。
- 插入皂液软管时，注意请勿对皂液箱的接头施加强力。
- 注意请勿弯折皂液软管。

#### Caution

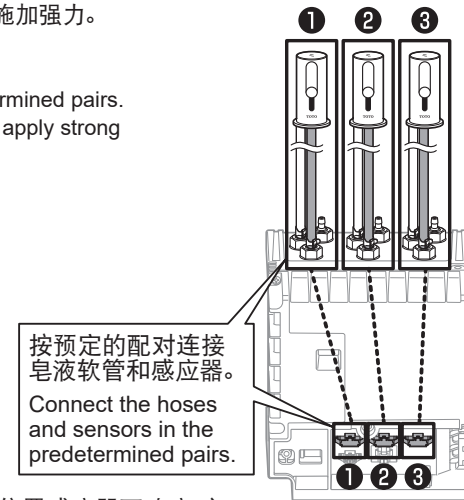
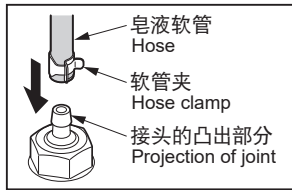
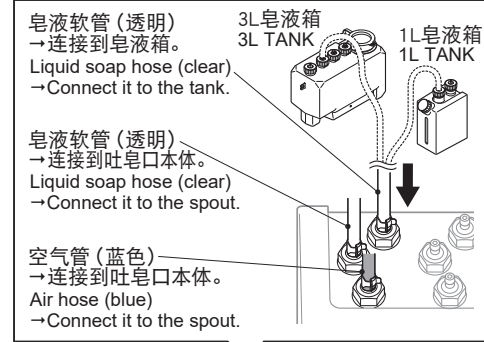
- Connect the hoses and sensors in the predetermined pairs.
- When inserting the hoses, pay attention not to apply strong force to the joint of the tank.
- Pay attention not to bend the hoses.

[ 皂液箱侧 ]  
[ Tank side ]



- \*将单一型仅连接到①。(在其他位置感应器不响应。)
- \*将双联型连接到①和②。(③不工作。)
- \* Connect the single type to ① only. (The sensor does not work in any other position.)
- \* Connect the double type to ① and ②. (③ does not work.)

[ 控制器侧 ] [ Controller side ]



按预定的配对连接皂液软管和感应器。  
Connect the hoses and sensors in the predetermined pairs.

### 连接头连接 Connector Connections

拆下机能部的罩盖，然后将感应器接插件连接到浮子开关接插件。  
将感应器接插件和皂液软管连接在规定的位。

Remove the cover of the controller and connect the sensor connector to the float switch connector.  
Connect the sensor connector and the hose in the prescribed positions.

#### 单一安装 For single installation

在一个地方连接。  
感应器用接插件①(白色)

Connect in one place.

Connector ① (white) for sensor only

#### 双联安装 For double installation

在两个地方连接。  
感应器用接插件①(白色)和②(黄色)

Connect in two places.

Connectors ① (white) and ② (yellow) for sensor

#### 三联安装 For triple installation

在三个地方连接。  
感应器用接插件①(白色)、②(黄色)和③(蓝色)

Connect in three places.

Connectors ① (white), ② (yellow) and ③ (blue) for sensor

#### 注意

连接到吐皂口本体的感应器的所有接插件均是白色。  
设置在机能部中的接插件的颜色是白色、黄色和蓝色。可能会发生连接了与此不同的颜色。

#### Caution

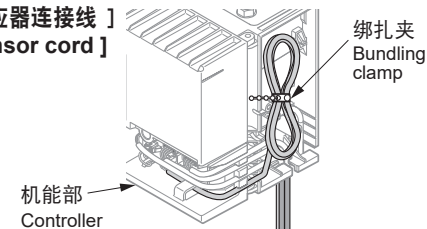
All connectors of the sensors connected to the spout are white.  
The colors of the connectors arranged in the controller are white, yellow and blue.  
Different colors may be connected.

### 连接线的绑扎 Bundling of Cords

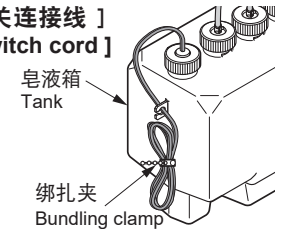
使用绑扎夹，整理和绑扎连接线。

Using bundling clamps, stow and bundle the cords.

[ 感应器连接线 ]  
[ Sensor cord ]



[ 浮子开关连接线 ]  
[ Float switch cord ]



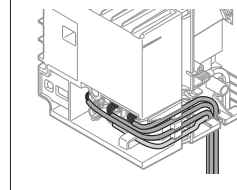
按预定的配对连接皂液软管和感应器。  
Connect the hoses and the sensors in predetermined pairs.

插口(感应器)  
Socket (Sensors)

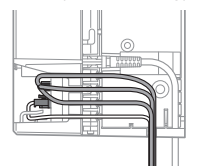
接插件(感应器, 白色)  
Connector (Sensors, white)

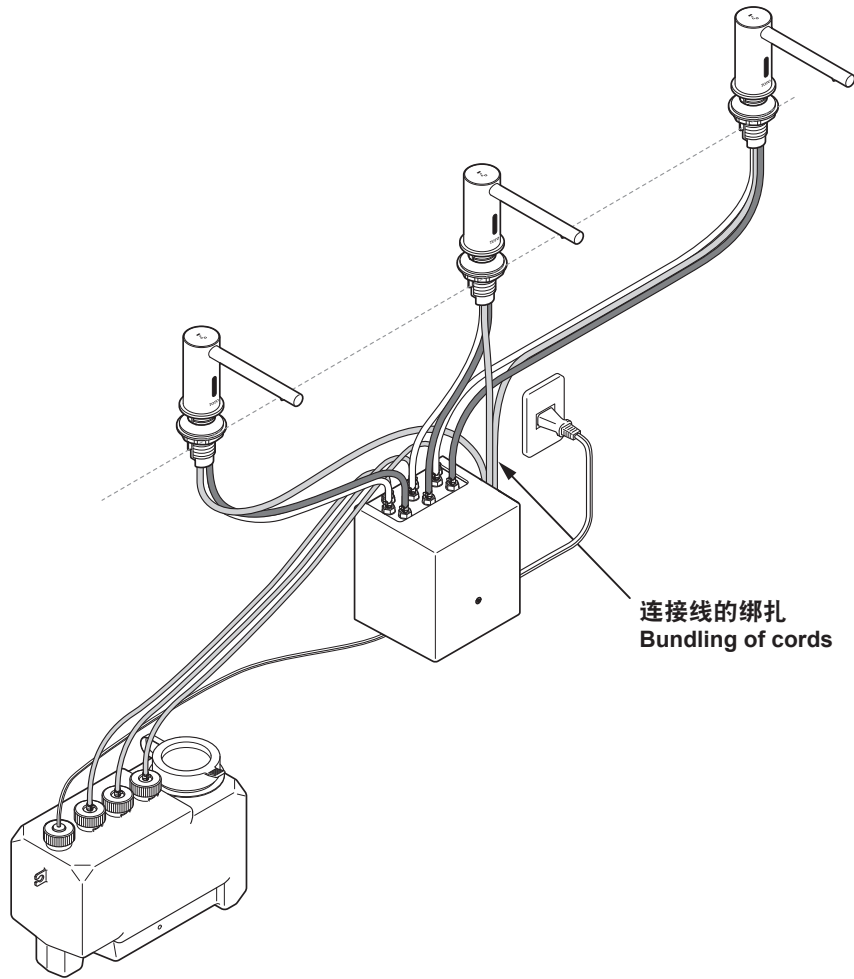
浮子开关  
Float switch

布线图  
Wiring Image



侧面(布线视图)  
Side face (View of wiring)





连接线的绑扎  
Bundling of cords

安装完成后，使用以下方法确认皂液器是否正常工作。  
After installation is complete, confirm that the dispenser is working properly using the following method.

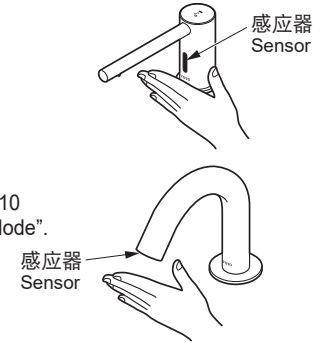
**安装完成后进行检查。**

**Checking after the completion of installation.**

安装工作完成后，使用以下步骤进行试运行。  
After the installation has been completed, test the product using the following procedure.

1. 将工作模式切换到安装检查模式。  
在电源开启后的10分钟内，当您的手放在传感器下方约8秒钟时，工作模式会切换到“安装检查模式”。  
感应期间，会驱动皂液泵，皂液持续流出。（最长30秒钟）  
当您的手离开感应器时，皂液会停止流出。  
使用此功能会将空的皂液流动路径充满皂液。

Shift the mode to the installation checking mode.  
When your hand is held under the sensor for about 8 sec. during the first 10 minutes after the power is turned on, the mode shifts to the "Installation Mode".  
During sensing, the liquid soap pump is driven and the liquid soap continues to come out. (30 sec at maximum)  
The liquid soap stops when your hand leaves the sensor.  
Use this function for filling an empty flow path with liquid soap.



**注意**

- 如果电源开启超过10分钟，需拔出电源插头，然后重新插入。
- 当断开并重新连接电源插头时，需拔出电源插头并保持按下状态10秒钟以上。

**Caution**

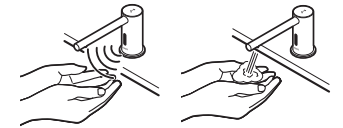
- If more than 10 minutes pass since the power was turned on, pull out the power plug and insert it again.
- When disconnecting and reconnecting the power plug, pull out the power plug and leave it unplug for longer than 10 sec.

2. 出皂液和停止出皂液。

- 当您手放在感应器下方时，皂液会流出。
- 当您的手离开感应器时，皂液会停止流出。

Dispense and stop the liquid soap.

- The liquid soap comes out when you bring your hand under the sensor.
- The liquid soap stops when your hand leaves the sensor.



3. 检查皂液箱以及检查皂液软管的连接处是否有皂液泄漏。

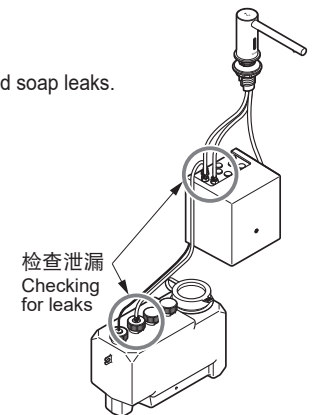
Check the tank and the connection of the liquid soap hose for any liquid soap leaks.

**注意**

如果安装后长时间不使用本产品，则皂液软管中剩余的皂液会干燥并导致出皂液不畅。因此，请用水进行试运行。  
试运行结束后，请将皂液箱中的积水保持原样，并在实际使用开始时更换为皂液。

**Caution**

If the product is not used for a long period of time after installation, liquid soap remaining in the hose dries and dispenses poorly. Therefore, conduct the **trial run with water**.  
After the trial run, leave water accumulated in the tank as is and replace it with liquid soap at the beginning of actual use.



## 规格 SPECIFICATIONS

<标配> <Standard>			
型号 Type	TLK01101*	TLK01102*	TLK01103*
配置 Configuration			
电源 Power supply	AC 100~240V 输出:12V DC AC 100~240 V Output : 12 V DC		
额定功率 Wattage	4 W	6.5 W	9 W
感应器检测范围 Sensor detection range	130~200mm 感应器自调节 130~200 mm sensor is self-adjusting		
使用环境温度 Ambient Temperature	1~40°C		
使用环境湿度 Humidity	最大90%RH Max.90% RH		
适用皂液粘度 Suitable for soap viscosity	1~17 mPa·s		
电源线长度 Power Cord Length	550 mm		
皂液吐出量 Soap volume	1.2g (出厂设置)	1.2 g (at factory setting)	
皂液箱容量 Tank Capacity	约3L (可用容量) Approximately 3 L (Usable Capacity)		

<标配> <Standard>	
型号 Type	TLK01104*
配置 Configuration	
电源 Power supply	AC 100~240V 输出:12V DC AC 100~240 V Output : 12 V DC
额定功率 Wattage	4 W
感应器检测范围 Sensor detection range	130~200mm 感应器自调节 130~200 mm sensor is self-adjusting
使用环境温度 Ambient Temperature	1~40°C
使用环境湿度 Humidity	最大90%RH Max.90% RH
适用皂液粘度 Suitable for soap viscosity	1~17 mPa·s
电源线长度 Power Cord Length	550 mm
皂液吐出量 Soap volume	1.2g (出厂设置) 1.2 g (at factory setting)
皂液箱容量 Tank Capacity	约1L (可用容量) Approximately 1 L (Usable Capacity)

## 安装尺寸图 INSTALLATION DIMENSIONS

