

**TOTO**

**施工说明书**  
**Instructions for construction**

安装产品前请仔细阅读本施工说明书，并保留备用。  
Before product installation, read these instructions for construction carefully and retain it for future reference.

**TOTO**

**OG4121Y(C)**  
**2021.09**

# 目录

## 目 录

目 录	1
明细单	2
使用条件与施工上的注意	3
施工上的注意与保养	4
安装完成图	5~8
水嘴的安装	9~11
生产厂家与销售商	12

# 明细单

## 明细单

水嘴主体部	1套
通水本体部	1套
冷水控制部	1套
冷水手柄部	1套
热水控制部	1套
热水手柄部	1套
非石棉垫片	2个
施工说明书	1本
使用说明书	1本

使用此明细单的产品包括：



TBG01201*	铜合金台式双柄双控浴缸水嘴
TBG02201*	铜合金台式双柄双控浴缸水嘴
TBG03201*	铜合金台式双柄双控浴缸水嘴
TBG04201*	铜合金台式双柄双控浴缸水嘴

# 使用条件与施工上的注意

## 使用条件

1. 供冷水\*热水压力：  
最低压力……………0.05MPa（流动压）  
最高压力……………1.0MPa（静压）  
推荐使用压力……………0.1~0.5MPa（流动压）  
检测压力……………1.6MPa（静压）
2. 供水温度在4℃~90℃，建议使用热水温度60±5℃，供热水请勿使用蒸汽。
3. 使用环境温度0℃以上。如果低于0℃，水嘴会出现变形、冻裂等现象。
4. 长时间不使用时，可能导致水嘴内部及外部锈蚀不能使用等现象。
5. 如果您需要废弃本产品，请勿将其作为一般生活垃圾处理，请依照法规经由独立的回收体系进行合适的处理、恢复和回收。
6. 本说明书中的产品具有清洗功能。

## 施工上的注意

-  **警告** 表示如果无视此标志而误操作时，有可能造成人员重伤或死亡。
-  **注意** 表示如果无视此标志而误操作时，有可能造成人身伤害或财产损失。

### 警告

1. 水嘴的供热水一侧处于高温状态，请勿使皮肤直接接触五金配件表面，否则可能会烫伤。
2. 请勿配反冷\*热水配管，否则可能会烫伤。
3. 供热水请勿使用蒸汽，否则可能会烫伤。

# 施工上的注意与保养

## 注意

1. 安装前，请先确保产品包装完整，配件及附属品等齐全。
2. 请勿撞击本产品，否则可能会造成故障、漏水。
3. 随着产品式样的不断更新，实物存在与图示不符的情况，但基本安装、使用原理相同。
4. 在可能结冰的场所使用时，要切实做好防冻措施。  
因结冰，零件破损，有可能导致漏水，造成财产损失。因结冰而造成的破损即使在保修期内也是有偿修理。请不要让产品的环境温度低于0℃。

## 防冻措施

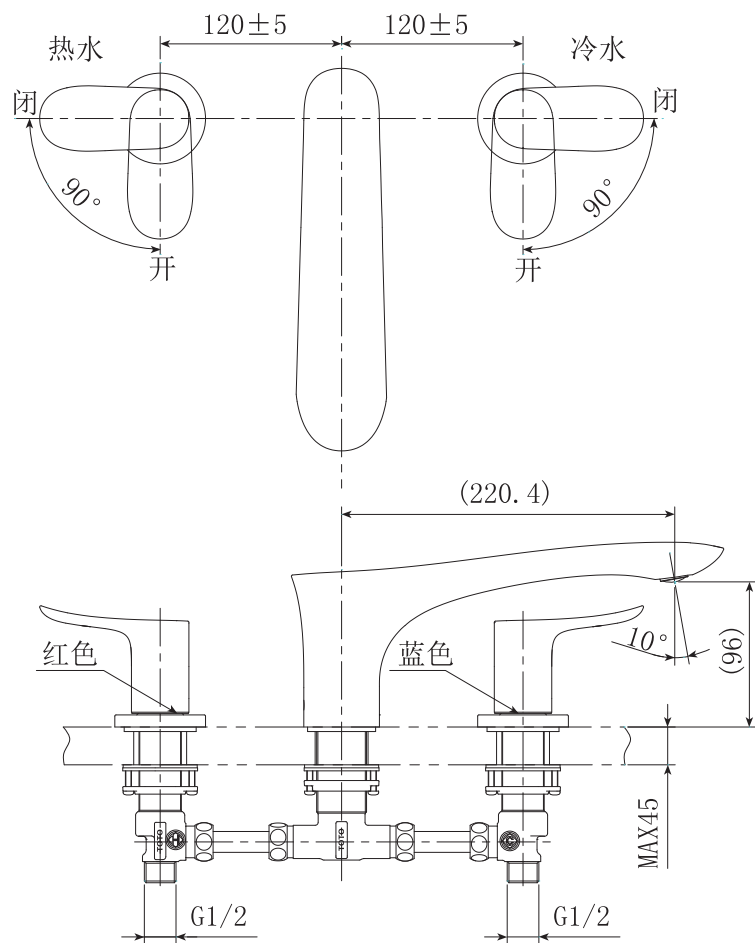
- 在可能结冰的场所使用时，要切实做好防冻措施。
1. 产品结冰的话零件损坏，成为漏水的原因。
  2. 因结冰造成的零件破损即使在保修期也是有偿修理。
  3. 施工完了后或长时间不使用时，要有预防突然降温的准备，要对产品进行结冰预防。
  4. 因为有结冰的危险，请不要让产品周围的温度在0℃以下。

## 保养

- 为长期保持产品的美观，请用户按以下方法维护保养。
1. 经常用软布擦拭，间或用软布蘸水擦拭。
  2. 当有污垢且比较明显时，请用中性洗涤剂擦拭后充分进行水洗。

# 安装完成图

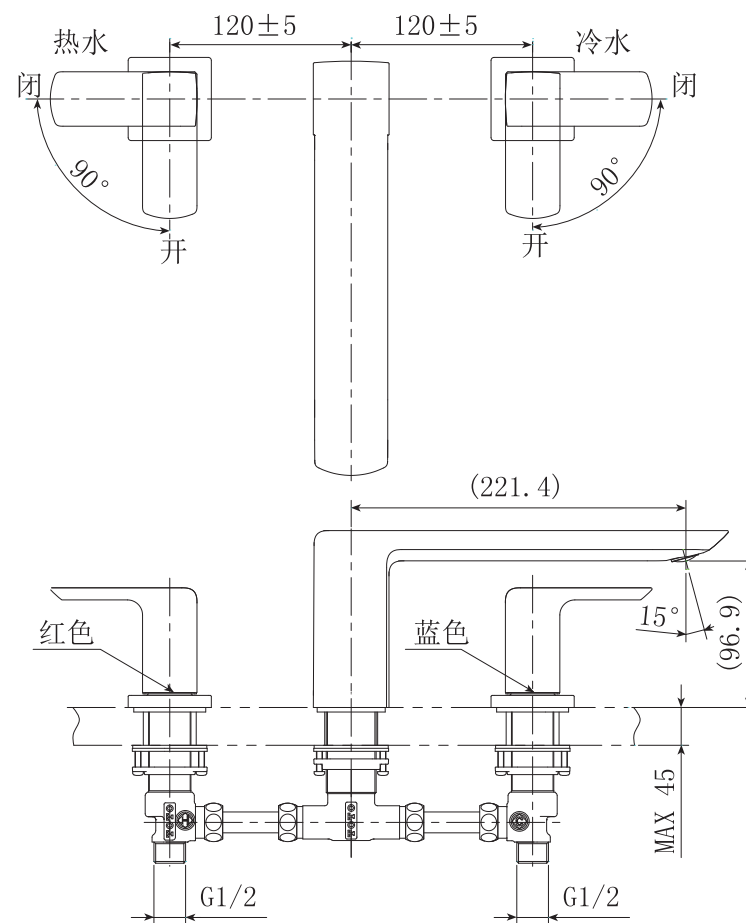
TBG01201\* 铜合金台式双柄双控浴缸水嘴



注：图中尺寸单位为mm  
 ( ) 内尺寸为参考尺寸  
 本图吐水本体向右旋转 $90^\circ$ ，正式安装后，吐水本体向前且不可旋转

# 安装完成图

TBG02201\* 铜合金台式双柄双控浴缸水嘴

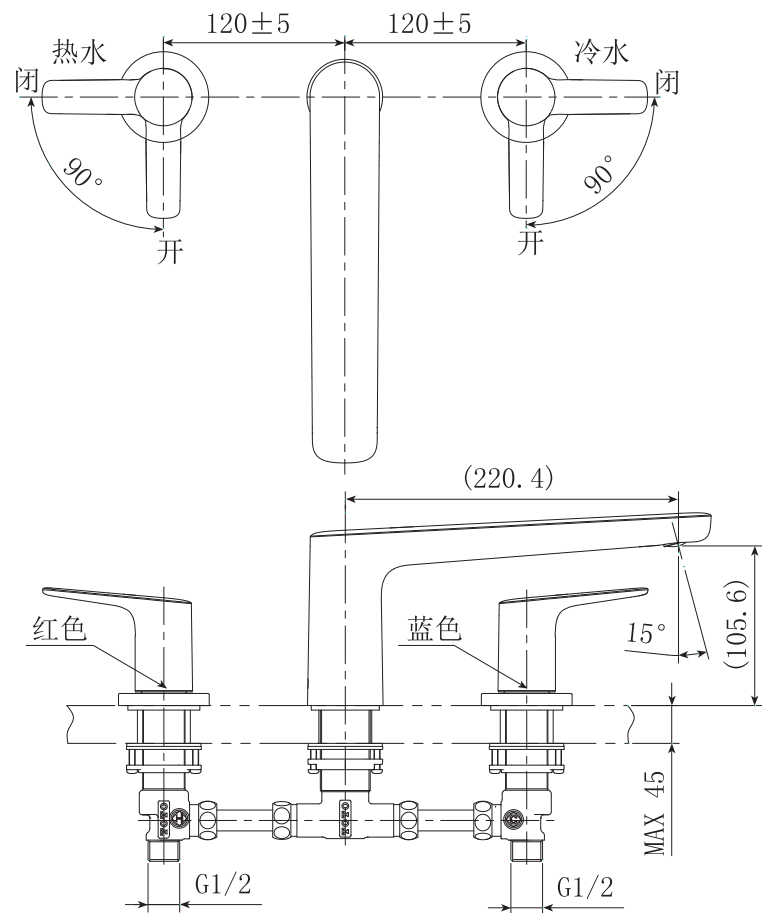


注：图中尺寸单位为mm  
 ( ) 内尺寸为参考尺寸  
 本图吐水本体向右旋转 $90^\circ$ ，正式安装后，吐水本体向前且不可旋转



# 安装完成图

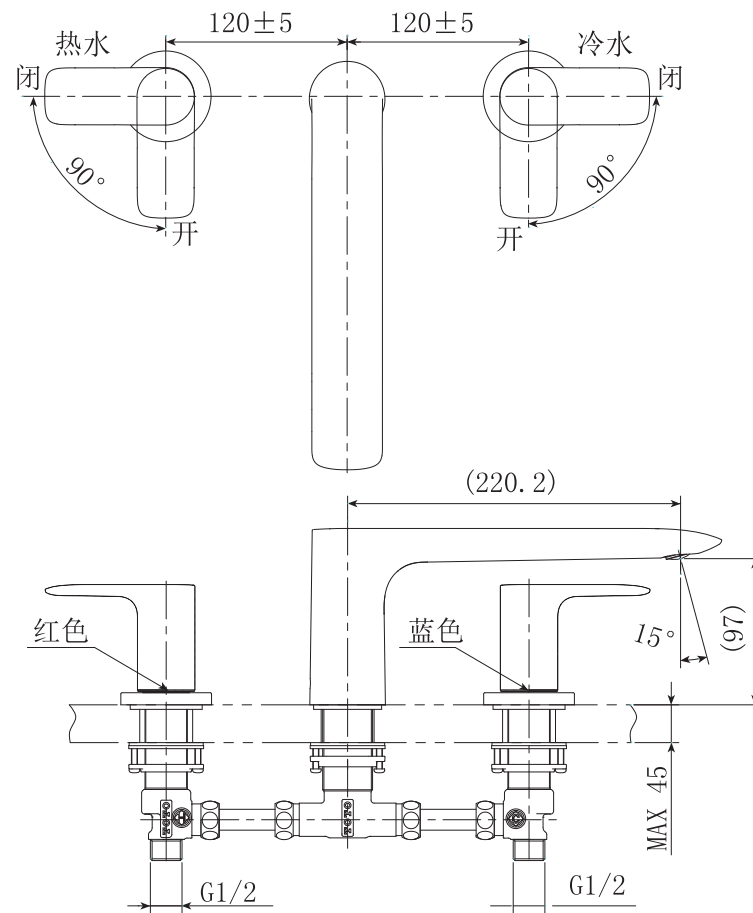
TBG03201\* 铜合金台式双柄双控浴缸水嘴



注：图中尺寸单位为mm  
 ( ) 内尺寸为参考尺寸  
 本图吐水本体向右旋转90°，正式安装后，吐水本体向前且不可旋转

# 安装完成图

TBG04201\* 铜合金台式双柄双控浴缸水嘴



注：图中尺寸单位为mm  
 ( ) 内尺寸为参考尺寸  
 本图吐水本体向右旋转90°，正式安装后，吐水本体向前且不可旋转

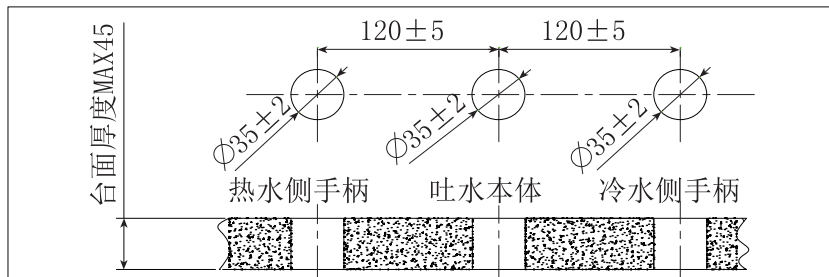
# 水嘴的安装

## 一. 供水管内的清扫

安装之前，一定要冲净供水管内的灰尘、砂砾等异物

## 二. 孔的设定

台面孔的设定



### △注意:

安装产品时尽可能将冷水侧阀体、热水侧阀体、吐水本体部保持在安装孔的中央位置。

## 三. 水嘴的安装

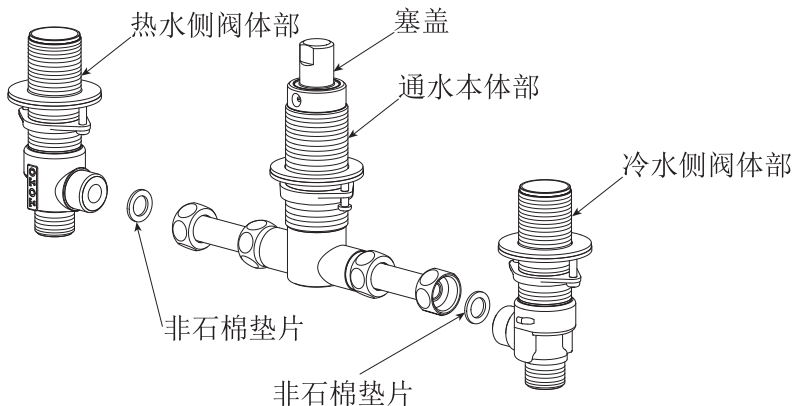
在安装前必须清除安装孔周围的污物，主体的安装参照下图，具体的安装方法是：

### (1) 台下通水本体部及阀体部的安装

先将冷热水侧阀体部和通水本体部的固定螺母卸下，再将冷热水侧阀体部和通水本体部通过非石棉垫片充分连接，拧紧。

### △注意:

冷水侧阀体部贴有 © 标签，热水侧阀体部贴有 ® 标签。



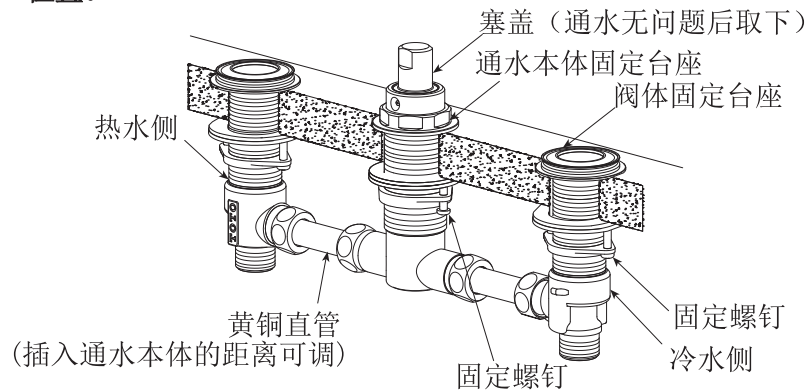
# 水嘴的安装

## (2) 台下通水本体部及阀体部的固定

将连接好的通水本体部及阀体部从台面下方穿过事先打好的安装孔，再使用固定台座将其充分固定在台面上；使用十字螺丝刀旋紧固定螺钉，使阀体部及通水本体部紧固在台面上，使其无法在台面上晃动。

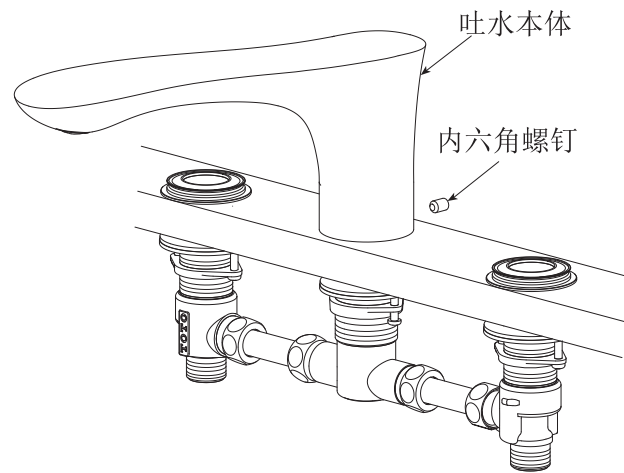
### △注意:

1. 此安装状态下可进行通水检验，检查各个连接部件是否漏水，若不存在漏水现象可将塞盖取下，另行保管。
2. 将制品从台面下方穿过安装孔时，若制品没能正好对准安装孔的位置可通过黄铜直管插入到通水本体中距离调节阀体部距离通水本体位置。



## (3) 吐水本体的安装

将吐水本体压入到通水本体中，再将吐水本体背面的内六角螺钉充分紧固，吐水本体向前，且不可旋转。



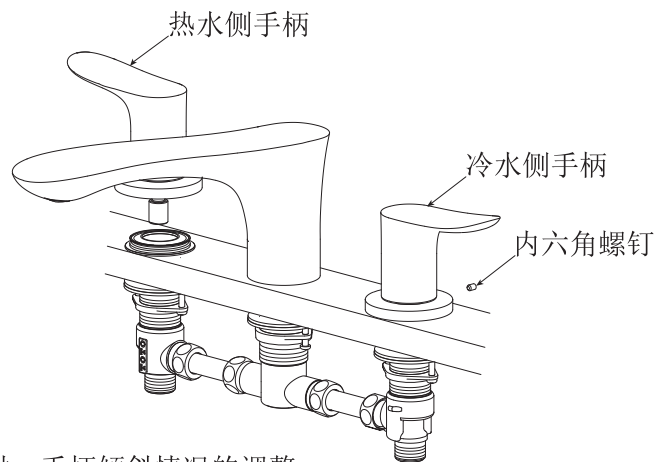
# 水嘴的安装

## (4) 手柄部的安装

在阀芯处于关闭状态下，先将手柄部整体插入到阀体部内，对准阀体部内部的花键，插入手柄台座和台面完全吻合的状态，旋紧手柄台座内的内六角螺钉即可。

### ⚠注意：

1. 安装时务必注意冷热方向，不可装反（手柄上表示环红色为热水侧，蓝色为冷水侧）。
2. 安装时务必注意开闭方向，不可装反（热水侧逆时针为开，顺时针为闭；冷水侧顺时针为开，逆时针为闭）。

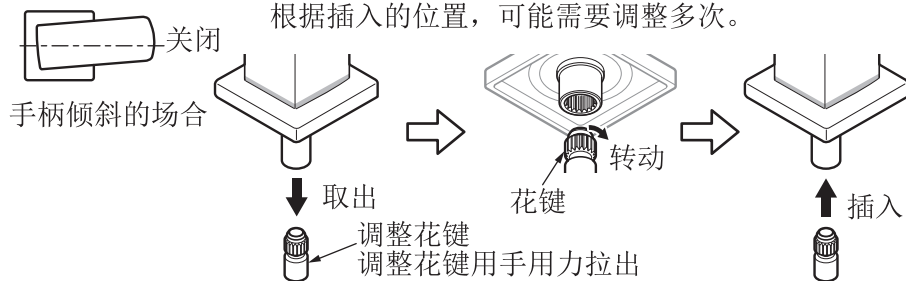


## (5) 安装时，手柄倾斜情况的调整

### ⚠注意：

将调整花键充分地插入到内部。插入后请确认调整花键不能轻易的拔出。

取出调整花键，请转动花键的牙插入。  
根据插入的位置，可能需要调整多次。



# 生产厂家与销售商

执行标准：GB18145-2014

产品型号：见包装箱上的标签

产品名称：见包装箱上的标签

生产日期：见包装箱上的标签

组装工厂：东陶（大连）有限公司

电 话：（0411）87624383

厂 址：大连经济技术开发区东北二街17号

东陶(中国)有限公司

全国售后服务电话：800-820-9787(固定电话)

400-820-9787(手机用户)

销售商：东陶(中国)有限公司

地 址：北京市朝阳区光华路1号 北京嘉里中心北楼1915室

网 址：www.toto.com.cn

# Contents

---

## Contents

Contents .....	1
Detailed list .....	2
Use condition and attentions in construction.....	3
Attentions in construction and maintenance.....	4
Installation completion figure .....	5~8
Faucets installation .....	9~11

# Detailed list

---

## Detailed list

Main body part of faucet.....	1 set
Main body part of water supply .....	1 set
Cold water control part .....	1 set
Cold water handle part .....	1 set
Hot water control part .....	1 set
Hot water handle part .....	1 set
Non-asbestos gasket.....	2 pieces
Instructions for construction.....	1 copy
Instructions for operation.....	1 copy

The products using this detailed list include:


- TBG01201\* "GO" Bathtub Filler (3 hole)
- TBG02201\* "GR" Bathtub Filler (3 hole)
- TBG03201\* "GS" Bathtub Filler (3 hole)
- TBG04201\* "GA" Bathtub Filler (3 hole)


# Use condition and attentions in construction

## Use condition

1. Cold water supply\*hot water supply pressure  
Minimum pressure ..... 0.05MPa (flow pressure)  
Maximum pressure ..... 1.0MPa (static pressure)  
Recommended Operating pressure .....0.1–0.5MPa (flow pressure)  
Test pressure .....1.6MPa (static pressure)
2. The temperature for water supply is 4~90°C. It is suggested to use the hot water temperature of 60 ± 5°C. Do not use steam to supply hot water.
3. The ambient temperature for use is above 0°C. If the ambient temperature is lower than 0°C, the faucets will deform and crack from freezing.
4. Being out of use for a long time may result in internal and external rust to the faucets and being unable to be used.
5. If you want to scrap this product, do not treat it as you do for general household garbage. Please follow relevant statutes to have it treated, recovered and collected appropriately by an independent recovery system.
6. The product in these instructions has a cleaning function.

## Attentions in construction

 Warning: it means that ignoring this mark and misoperation may cause serious personal injury and death.

 Attention: it means that ignoring this mark and misoperation may cause personal injury or property loss.

### Warning

1. The hot water supply side of the faucets is in a condition of high temperature. Do not allow skin to contact with the hardware surface directly. Otherwise, scalding may occur.
2. Do not reverse the cold\*hot water pipes. Otherwise scalding may occur.
3. Do not use steam to supply hot water. Otherwise, scalding may occur.

# Attentions in construction and maintenance

## Attentions

1. Before installation, please ensure the product package integrity and accessories and appurtenances to be complete.
2. Please do not impact this product. Otherwise, failure or water leakage may be caused.
3. With the product design being updated constantly, the physical object may not coincide with the figure. However, the basic principle for installation, use is the same.
4. When using in places where icing may occur, anti-freezing measures must be taken. The parts will be damaged due to icing, which may cause water leakage and property loss. Damages caused by icing are repaired for a fee even during the warranty period. Please ensure that the ambient temperature of the product is always above 0°C.

## Anti-freezing measures

When using in places where icing may occur, anti-freezing measures must be taken.

1. The parts will be damaged due to icing, which may cause water leakage.
2. Damaged parts caused by icing are repaired for a fee even during the warranty period.
3. After the construction is completed or when it is not used for a long time, prepare to prevent sudden drop of temperature and prevent the product from icing.
4. Because of the risk of icing, please ensure that the ambient temperature of the product is always above 0°C.

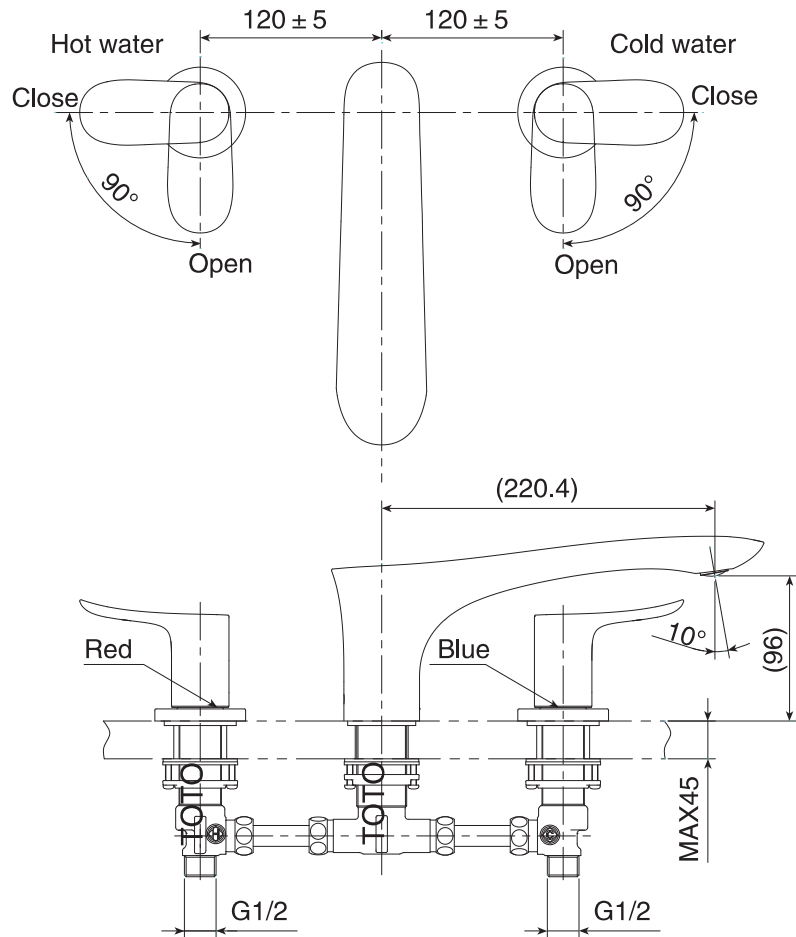
## Maintenance

To maintain a beautiful appearance of the product, the user is requested to conduct maintenance and care in the following method.

1. Wipe with a piece of soft cloth frequently and use a piece of soft cloth dipped in water to wipe from time to time.
2. When dirt exists obviously, please use water to wash sufficiently after wiping with a neutral detergent.

# Installation completion figure

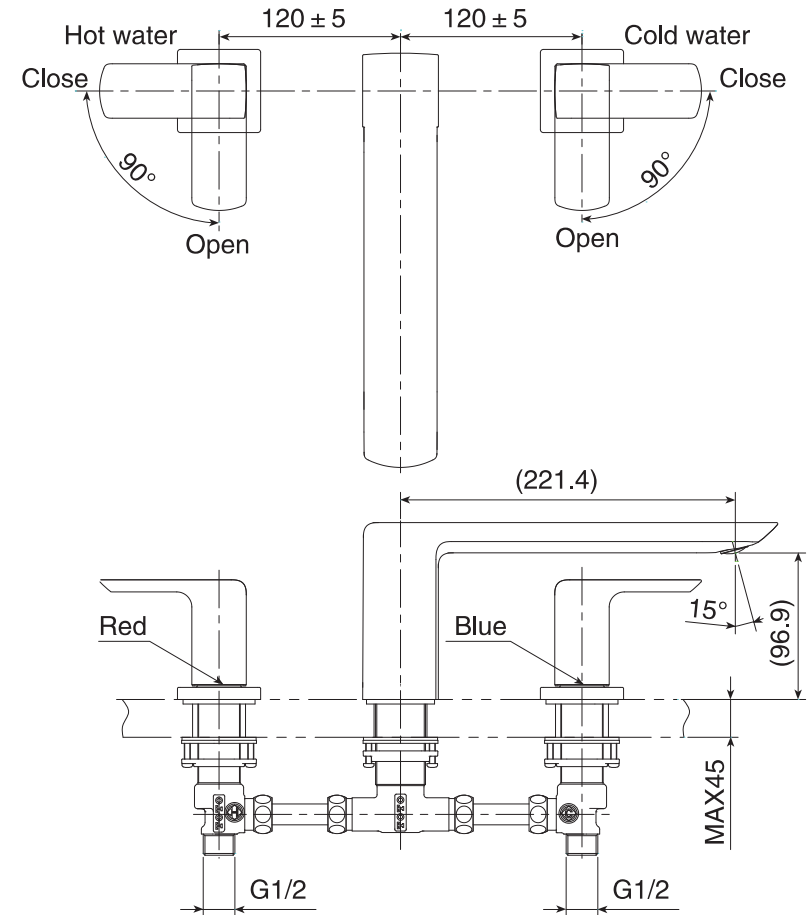
TBG01201\* "GO" Bathtub Filler (3 hole)



Note: The unit of the dimensions in the figure is mm.  
 The dimensions in ( ) are reference ones.  
 In the present figure, the water outlet body rotates for 90 degrees rightward.  
 After formal installation, the water outlet body directs forward and cannot be rotated.

# Installation completion figure

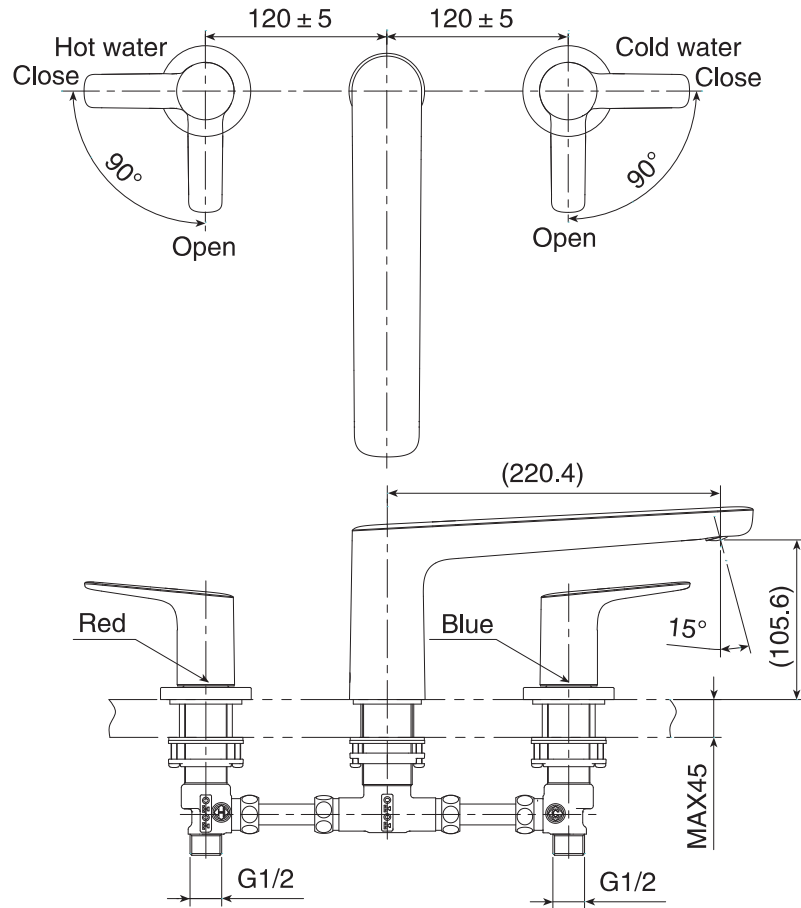
TBG02201\* "GR" Bathtub Filler (3 hole)



Note: The unit of the dimensions in the figure is mm.  
 The dimensions in ( ) are reference ones.  
 In the present figure, the water outlet body rotates for 90 degrees rightward.  
 After formal installation, the water outlet body directs forward and cannot be rotated.

# Installation completion figure

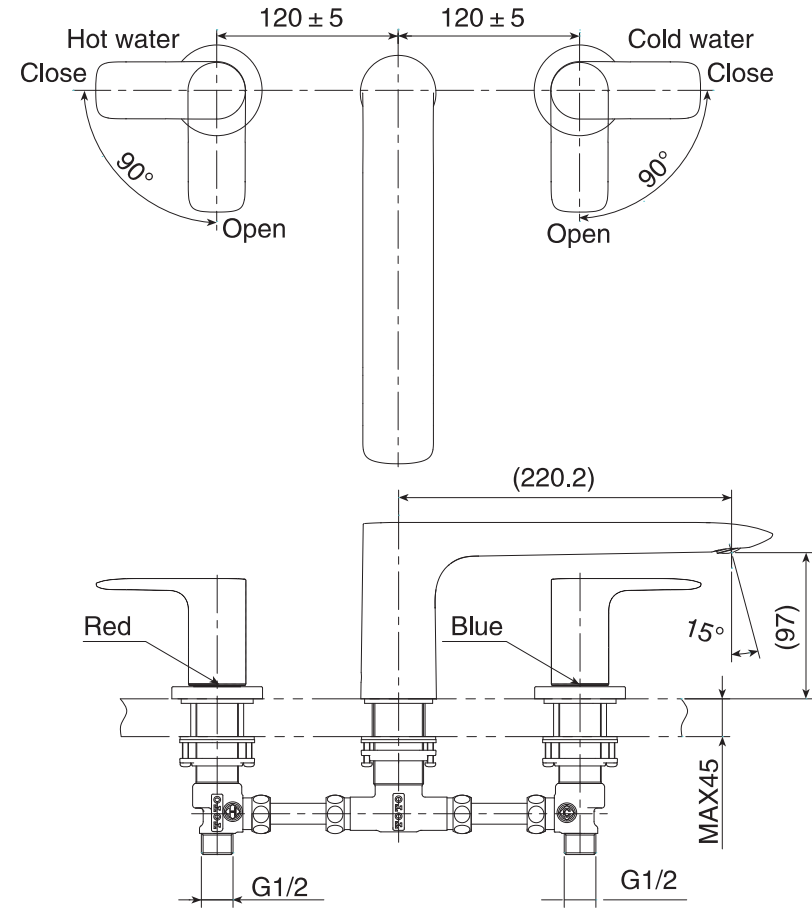
TBG03201\* "GS" Bathtub Filler (3 hole)



Note: The unit of the dimensions in the figure is mm.  
 The dimensions in ( ) are reference ones.  
 In the present figure, the water outlet body rotates for 90 degrees rightward.  
 After formal installation, the water outlet body directs forward and cannot be rotated.

# Installation completion figure

TBG04201\* "GA" Bathtub Filler (3 hole)

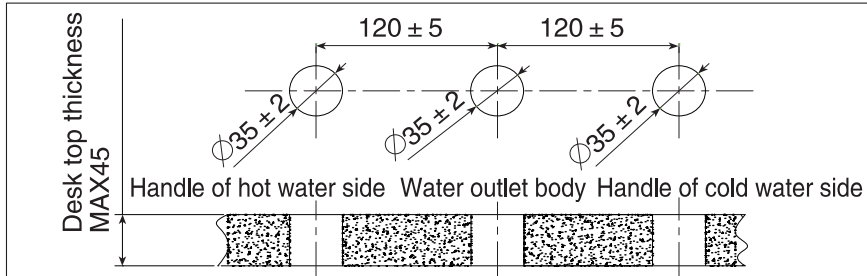


Note: The unit of the dimensions in the figure is mm.  
 The dimensions in ( ) are reference ones.  
 In the present figure, the water outlet body rotates for 90 degrees rightward.  
 After formal installation, the water outlet body directs forward and cannot be rotated.



# Faucets installation

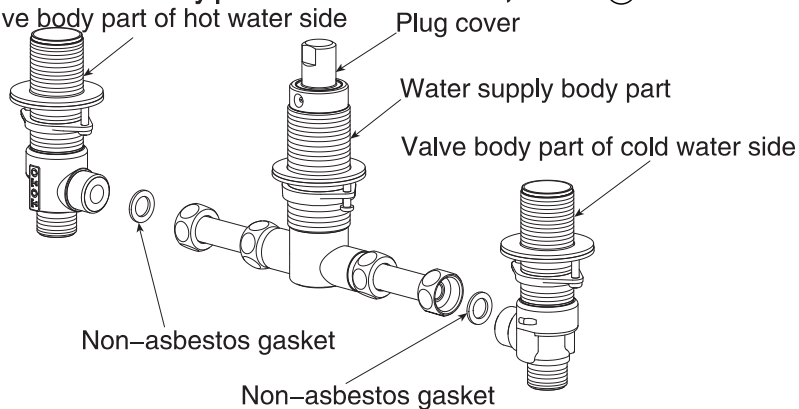
1. Water supply pipe cleaning  
Before installation, be sure to wash away such foreign matters as dust, sand grit, etc. from the water supply pipe.
2. Hole setting  
Desk top hole setting



- Attention:**  
In installing the product, keep the valve body of the cold water side, the valve body of the hot water side and the water outlet body part in the central position of the installation hole as practical as possible.

3. Faucet installation  
Before installation, it is imperative to remove the dirt around the installation hole. Refer to the figure below for installing the main body. Here is the specific installation method:  
(1) Installation of water supply body part and valve body part under desk  
Remove the fixing screws from the valve body parts of the cold and hot water sides and the water supply body part. Then connect sufficiently the valve body parts of the cold and hot water sides and the water supply body part through non-asbestos gasket and screw tightly.

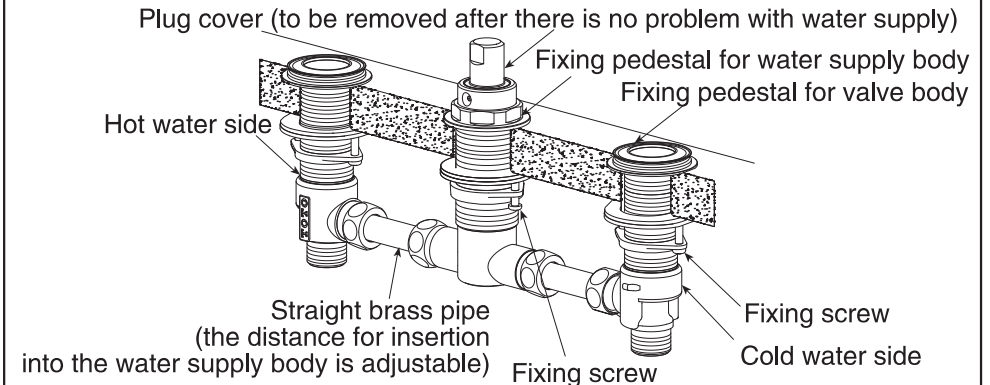
- Attention:**  
On the valve body part of the cold water side, a label (C) is affixed and on the valve body part of the hot water side, a label (H) is affixed.



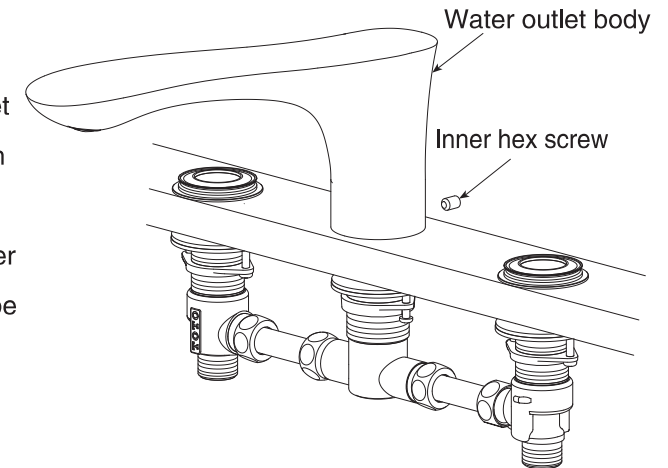
# Faucets installation

- (2) Fixing of water supply body part and valve body part under desk  
Put the connected water supply body part and valve body part through the installation hole perforated beforehand under the desk top and then use the fixing pedestal to fix it onto the desk top sufficiently; use a cross screw driver to screw tightly the fixing screws to fasten the valve body part and water supply body part on the desk top so that they cannot swing on the same.

- Attention:**  
1. A water supply test can be made in this installation condition to inspect if different connecting components have water leakage. If no water leakage phenomenon exists, remove the plug cover and keep otherwise.  
2. When putting the product through the installation hole under the desk top, if the product fails to align with the installation hole position properly, insert into the water supply body through a straight brass pipe at the position for a distance from the valve body part to the water supply body.



- (3) Installation of water outlet body  
Press the water outlet body into the water supply body and then fasten sufficiently the inner hex screws on the back of the water outlet body. The water outlet body directs forward and cannot be rotated.



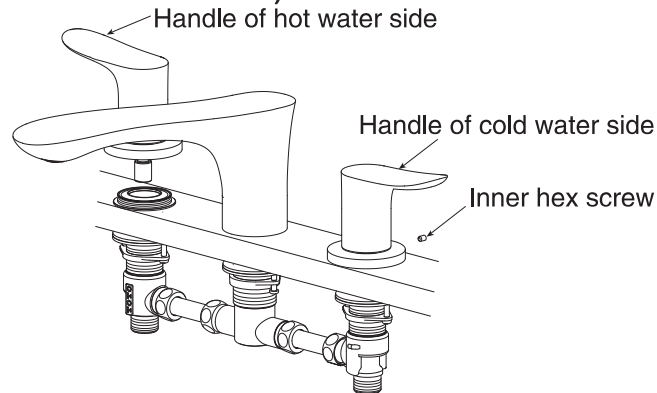
# Faucets installation

## (4) Handle installation

When the cartridge is in a close condition, insert the whole handle part into the valve body part first to align with the spline in the valve body part. Under the condition that the inserted handle pedestal coinciding with the desk top completely, just screw tight the inner hexagon screws in the handle pedestal.

### ⚠ Attention:

1. In installation, be sure to pay attention to the cold and hot water directions. Do not reverse (When the indicating ring on the handle is red, that side is hot water side and when it is blue, that side is cold water side).
2. In installation, be sure to pay attention to the opening and close directions. Do not reverse (The anticlockwise direction on the hot water side is for open and the clockwise direction is for close; the clockwise direction on the cold water side is for open and the anticlockwise direction is for close).

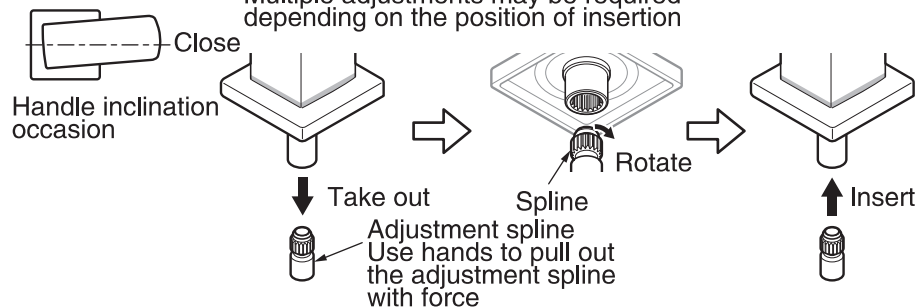


## (5) Handle adjustment for inclination degree in installation

### ⚠ Attention:

Insert the adjustment spline inside sufficiently. After insertion, please confirm that it is not easy to pull the adjustment spline out.

Take out the adjustment spline. Please insert by turning the spline tooth. Multiple adjustments may be required depending on the position of insertion



TOTO Asia Oceania Pte. Ltd.

telephone:65-6744-6955

FAX: 65-6841-0819

Address: 10 Eunos Road 8 #12-07 Singapore Post Centre

Singapore 408600

Website:asia.toto.com

TOTO KOREA LTD.

전화번호 : (02)-3141-8236

FAX 번호 : (02)-3141-8240

주소 : 서울시 마포구 토정로 112(상수동, 로이코빌딩 3층)

홈페이지 : <http://www.totokr.co.kr>