

# 施工说明书

## Instructions for construction

安装产品前请仔细阅读本施工说明书，并保留备用。  
Before product installation, read these instructions for construction carefully and retain it for future reference.

# TOTO

# TOTO

OG4181RY(C)  
2021.10

# 目录

## 目 录

目 录 .....	1
明细单 .....	2
使用条件与施工上的注意 .....	3
施工上的注意与保养 .....	4
安装完成图 .....	5-7
水嘴的安装 .....	8-9
生产厂家与销售商 .....	10

# 明细单

## 明细单

淋浴器 .....	1套
淋浴软管 .....	1根
淋浴支架（含固定螺丝、膨胀管） .....	1套
施工说明书 .....	1本
使用说明书 .....	1本

使用此明细单的产品包括：

TBW01008\* 手持式淋浴头

TBW02005\* 手持式淋浴头

TBW02017\* 手持式淋浴头

TBW01010\* 手持式淋浴头（淋浴·按摩·整流）

TBW02006\* 手持式淋浴头（淋浴·按摩·整流）

# 使用条件与施工上的注意

## 使用条件

- 供冷水\*热水压力：
  - 最低压力……………0.05MPa（流动压）
  - 最高压力……………0.75MPa（静压）
  - 推荐使用压力……………单功能0.12MPa（流动压）-0.5MPa（流动压）
  - ……………多功能0.15MPa（流动压）-0.5MPa（流动压）
- 供水温度在4℃~60℃，建议使用热水温度60℃以下，供热水请勿使用蒸汽。
- 使用环境温度1~40℃。如果低于0℃，水嘴会出现变形、冻裂等现象。
- 为防止花洒内部损坏，花洒侧吐水温度不得超过60℃，建议使用温度45℃以下。
- 长时间不使用时，可能导致水嘴内部及外部锈蚀不能使用等现象。
- 如果您需要废弃本产品，请勿将其作为一般生活垃圾处理，请依照法规经由独立的回收体系进行合适的处理、恢复和回收。
- 本说明书中的产品具有清洗功能。

## 施工上的注意

- ⚠警告** 表示如果无视此标志而误操作时，有造成人员重伤或死亡。
- ⚠注意** 表示如果无视此标志而误操作时，有造成人身伤害或财产损失。

### ⚠警告

- 水嘴的供热水一侧处于高温状态，请勿使皮肤直接接触五金配件表面，否则可能会烫伤。
- 请勿配反冷\*热水配管，否则可能会烫伤。
- 供热水请勿使用蒸汽，否则可能会烫伤。
- 当直接从吐水口侧切换到淋浴器侧或从淋浴器侧切换到吐水口侧时，水温会发生变化，要用手测试水温后再使用，否则可能会烫伤。

# 施工上的注意与保养

## ⚠注意

- 由于陶瓷阀芯是较精密的部件，请勿擅自分解，否则可能会造成漏水等不良。
- 请勿撞击本产品，否则可能会造成故障、漏水。
- 随着产品式样的不断更新，实物存在与图示不符的情况，但基本安装、使用原理相同。
- 在可能结冰的场所使用时，要切实做好防冻措施。因结冰，零件破损，有可能导致漏水，造成财产损失。因结冰而造成的破损即使在保修期内也是有偿修理。请不要让产品的环境温度低于0℃。

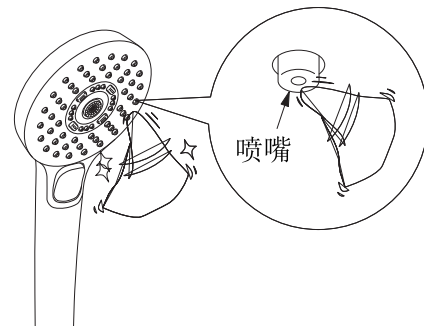
## 防冻措施

- 在可能结冰的场所使用时，要切实做好防冻措施。
- 产品结冰的话零件损坏，成为漏水的原因。
  - 因结冰造成的零件破损即使在保修期也是有偿修理。
  - 施工完了后或长时间不使用时，要有预防突然降温的准备，要对产品进行结冰预防。
  - 因为有结冰的危险，请不要让产品周围的温度在0℃以下。

## 保养

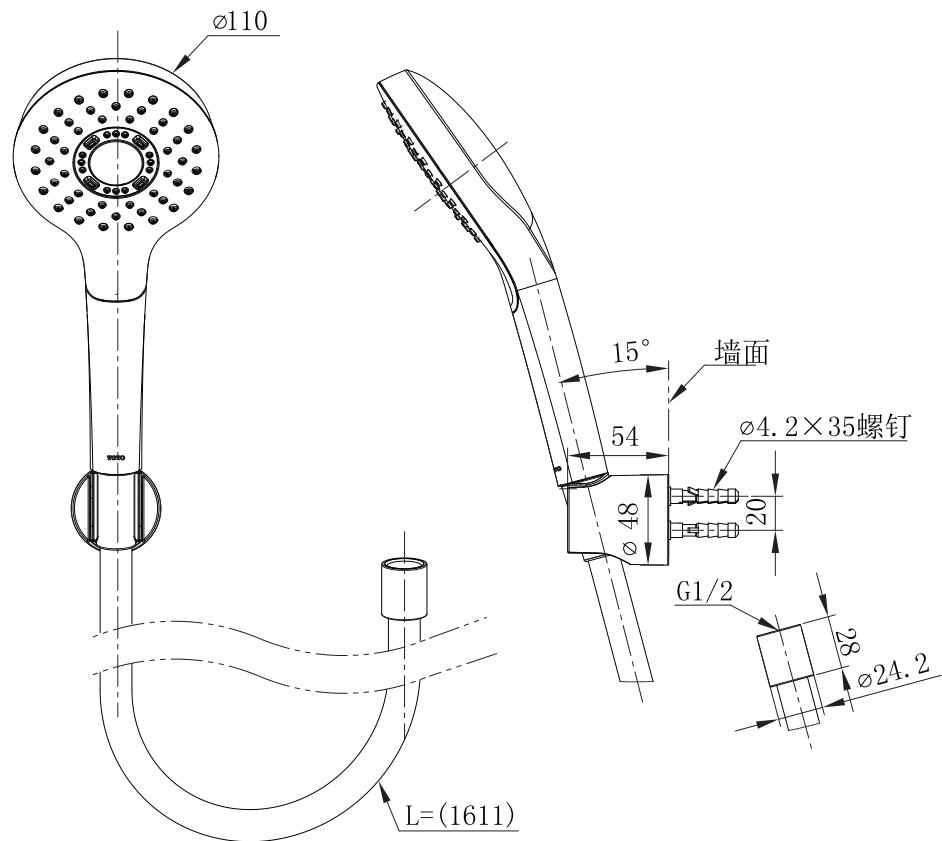
- 为长期保持产品的美观，请用户按以下方法维护保养。
- 经常用软布擦拭，间或用软布蘸水擦拭。
  - 当有污垢且比较明显时，请用中性洗涤剂擦拭后充分进行水洗。
  - 散水板的保养与维护：

- 轻度脏的场合，将软布用温水浸湿后拧干擦拭。
- 重度脏的场合，用软布蘸取适量中性洗涤剂擦拭后用清水充分清洗，再用软布擦干。
- 当喷嘴有堵塞、流线混乱时，将软布用温水浸湿后拧干擦拭，注意不要将喷嘴划破，如果太用力擦拭，喷嘴容易被划破、变形，从而造成流线变形。



# 安装完成图

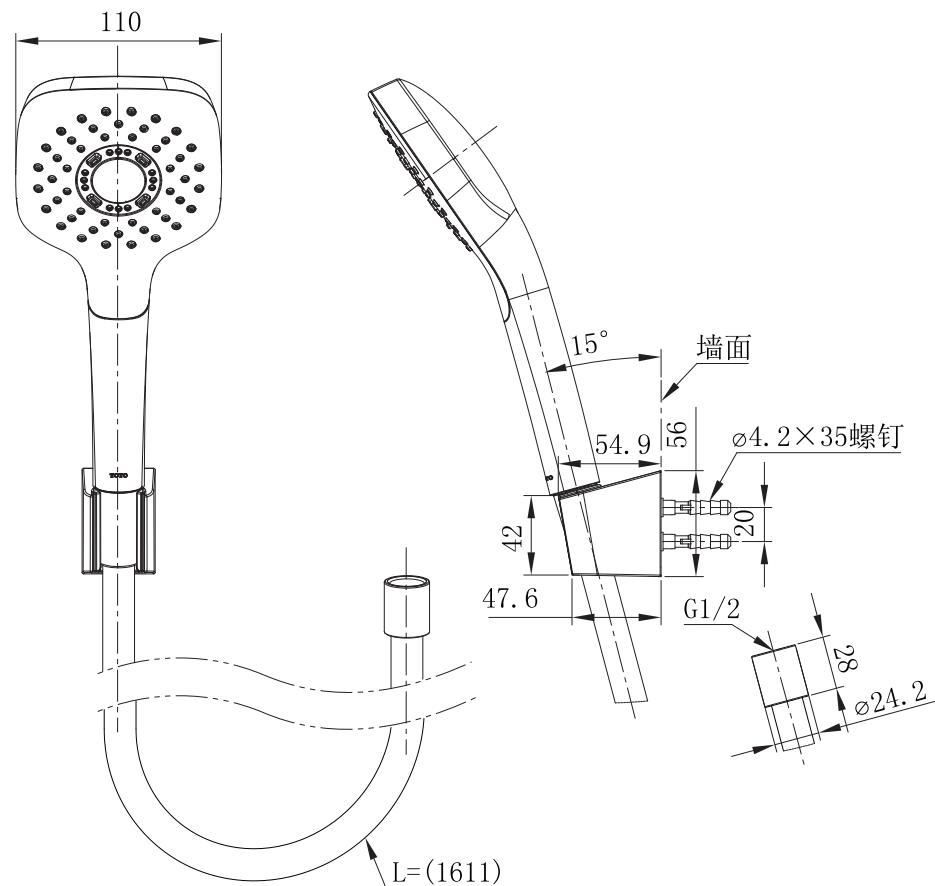
TBW01008\*/TBW01010\*系列手持式淋浴头



注：上記尺寸单位为mm；（）内尺寸为参考尺寸。

# 安装完成图

TBW02005\*/TBW02006\*系列手持式淋浴头

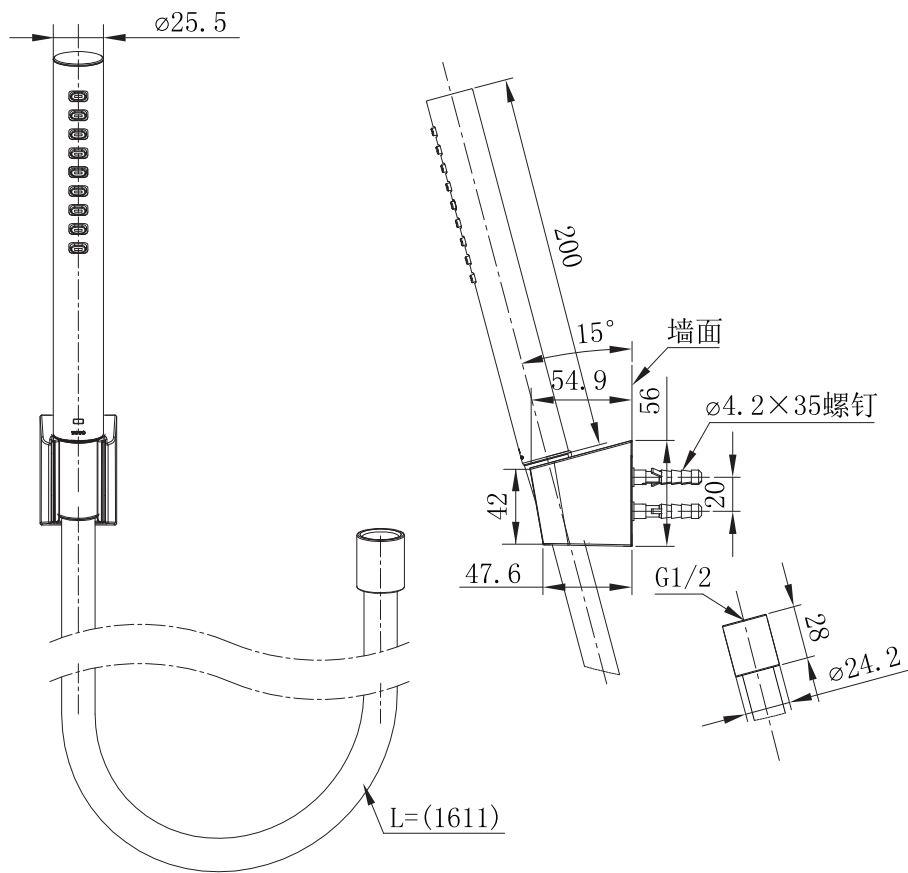


注：上記尺寸单位为mm；（）内尺寸为参考尺寸。



# 安装完成图

TBW02017\*手持式淋浴头



注：上記尺寸单位为mm；（）内尺寸为参考尺寸。

# 水嘴的安装

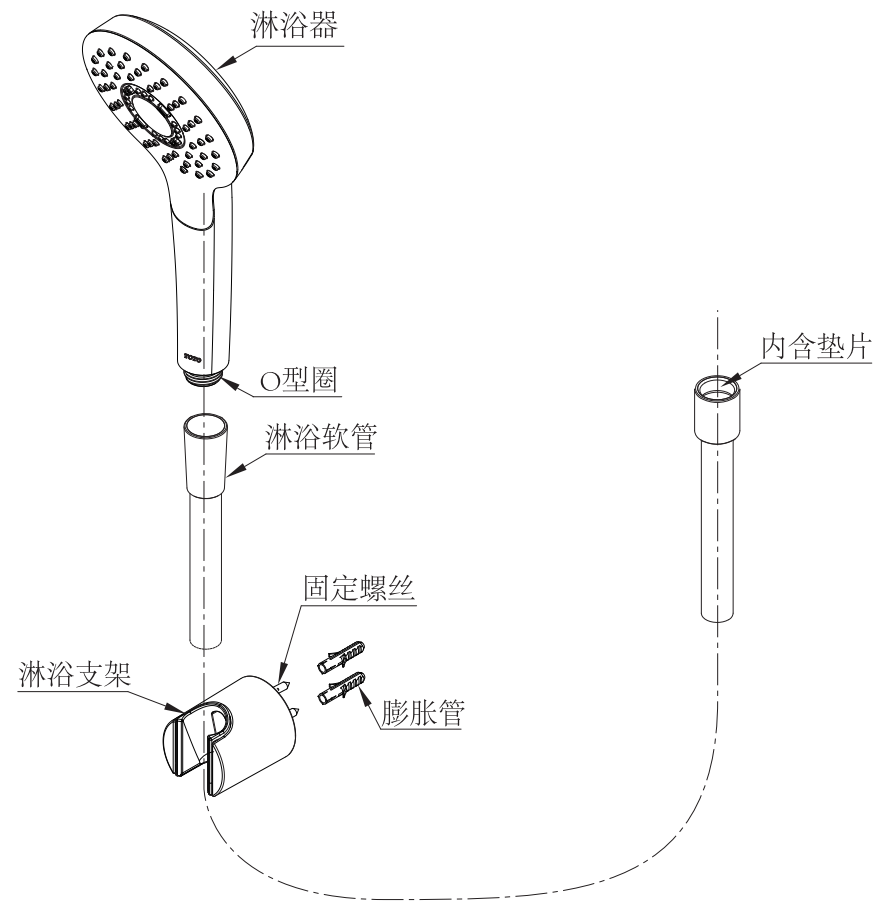
事前准备的工具：



螺丝刀

安装前确认

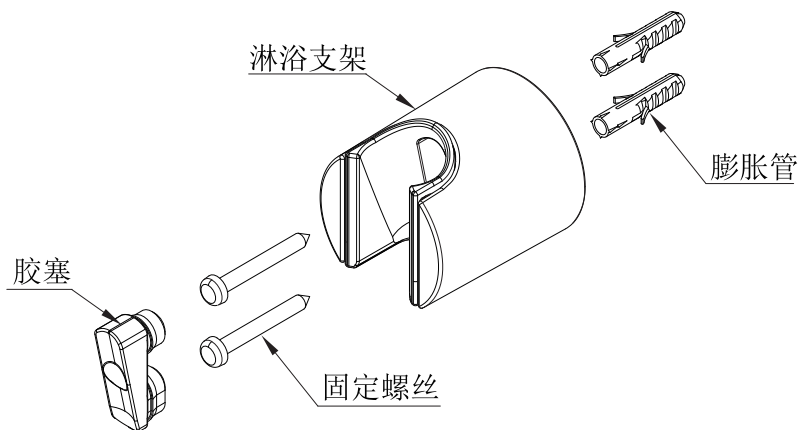
- 确认供水管已经关闭，确认安装前水路进行清洗了。
- 仔细阅读施工说明书并按照说明书的安装要领来进行安装。
- 确认您所看到的包装盒内的部件同下图相同。



# 水嘴的安装

1. 将淋浴软管两端分别与本体部螺纹、淋浴器相连接。
2. 淋浴支架的安装
  - ①对照淋浴支架上的安装孔尺寸在墙面上沿竖直方向开两个孔。
  - ②在孔内打入膨胀管。将淋浴支架开口腔内胶塞拆卸下来，装入固定螺丝。
  - ③将淋浴支架放在预先打好孔的墙面上然后用固定螺丝将其紧固。（注意要保证其方向正确）。
  - ④将胶塞装入淋浴支架内。

注：安装前务必确认墙内配管的位置，切勿钻孔时损伤配管造成漏水。



# 生产厂家与销售商

执行标准：GB/T23447-2009、GB 28378-2019

产品型号：见包装箱上的标签

产品名称：见包装箱上的标签

生产日期：见包装箱上的标签

组装工厂：东陶（大连）有限公司

电 话：（0411）87624383

厂 址：大连经济技术开发区东北二街17号

东陶（中国）有限公司

全国售后服务电话：800-820-9787（固定电话）  
400-820-9787（手机用户）

销售商：东陶（中国）有限公司

地 址：北京市朝阳区光华路1号 北京嘉里中心北楼1915室

网 址：[www.toto.com.cn](http://www.toto.com.cn)

# Contents

---

## Contents

Contents .....	1
Detailed list .....	2
Use conditions and attentions in construction.....	3
Attentions in construction and maintenance.....	4
Installation completion figure.....	5~7
Faucet installation .....	8~9
Manufacturer and vendor .....	10

# Detailed list

---

## Detailed List

Shower.....	1 set
Shower hose.....	1 piece
Shower holder (containing fixing screws, expansion pipe) .....	1 set
Instructions for construction.....	1 copy
Instructions for operation .....	1 copy

The products using this detailed list include:

- TBW01008\* "G Shower" 1mode Hand Shower Set  
(Standard Type)
- TBW02005\* "G Shower" 1mode Hand Shower Set  
(Contemporary Type)
- TBW02017\* "G Shower" Cylinder Hand Shower Set  
(Contemporary Type)
- TBW01010\* "G Shower" 3mode Hand Shower Set  
(Standard Type)
- TBW02006\* "G Shower" 3mode Hand Shower Set  
(Contemporary Type)

# Use condition and attentions in construction

## Use condition

1. Minimum pressure.....0.05MPa ( flow pressure )  
Maximum pressure.....0.75MPa ( static pressure )  
Recommended Operating pressure.....  
single function 0.12MPa ( flow pressure ) –0.5MPa ( flow pressure )  
multi function 0.15MPa ( flow pressure ) –0.5MPa ( flow pressure )
2. The temperature for water supply is 4~60°C. It is suggested to use the temperature below 60°C. Do not use steam to supply hot water.
3. The ambient temperature for use is 1~40°C. If the ambient temperature is lower than 0°C, the faucet will deform and crack from freezing.
4. To prevent internal spinkler damage,the water outlet temperature on the spinkler side shall not exceed 60°C,it is suggested to use a temperature below 45°C.
5. Being out of use for a long time may result in internal and external rust to the faucet and being unable to be used.
6. If you want to scrap this product, do not treat it as you do for general household garbage. Please follow relevant statutes to have it treated, recovered and collected appropriately by an independent recovery system.
7. The product in these instructions has a cleaning function.

## Attentions in construction

- ⚠ Warning: it means that ignoring this mark and misoperation may cause serious personal injury and death.
- ⚠ Attention: it means that ignoring this mark and misoperation may cause personal injury or property loss.

## ⚠ Warning

1. The hot water supply side of the faucet is in a condition of high temperature. Do not allow skin to contact with the hardware surface directly. Otherwise, scalding may occur.
2. Do not reverse cold\*hot water pipes. Otherwise, scalding may occur.
3. Do not use steam to supply hot water. Otherwise, scalding may occur.
- 4.The water temperature will change when switch from spout to shower or switch from shower to spout.The user should test it by hand.otherwise,scalding may occur.

# Attentions in construction and maintenance

## ⚠ Attentions

- 1.As the ceramic cartridge is a precise component, do not dismantle it without authorization. Otherwise, such poor conditions as water leakage, etc. may be caused.
- 2.Do not impact the product. Otherwise, failure, water leakage may occur.
- 3.With the product design being updated constantly, the physical object may not coincide with the figure. However, the basic principle for installation, use is the same.
- 4.When using in places where icing may occur, anti-freezing measures must be taken.The parts will be damaged due to icing, which may cause water leakage and property loss. Damages caused by icing are repaired for a fee even during the warranty period. Please ensure that the ambient temperature of the product is always above 0°C.

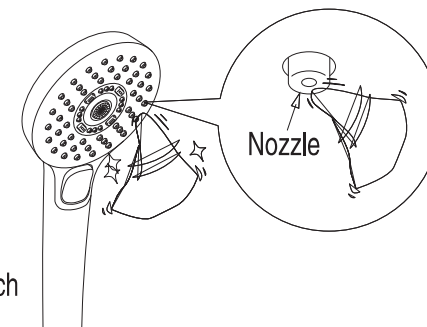
## Anti-freezing measures

When using in places where icing may occur, anti-freezing measures must be taken.

1. The parts will be damaged due to icing, which may cause water leakage.
2. Damaged parts caused by icing are repaired for a fee even during the warranty period.
3. After the construction is completed or when it is not used for a long time, prepare to prevent sudden drop of temperature and prevent the product from icing.
4. Because of the risk of icing, please ensure that the ambient temperature of the product is always above 0°C.

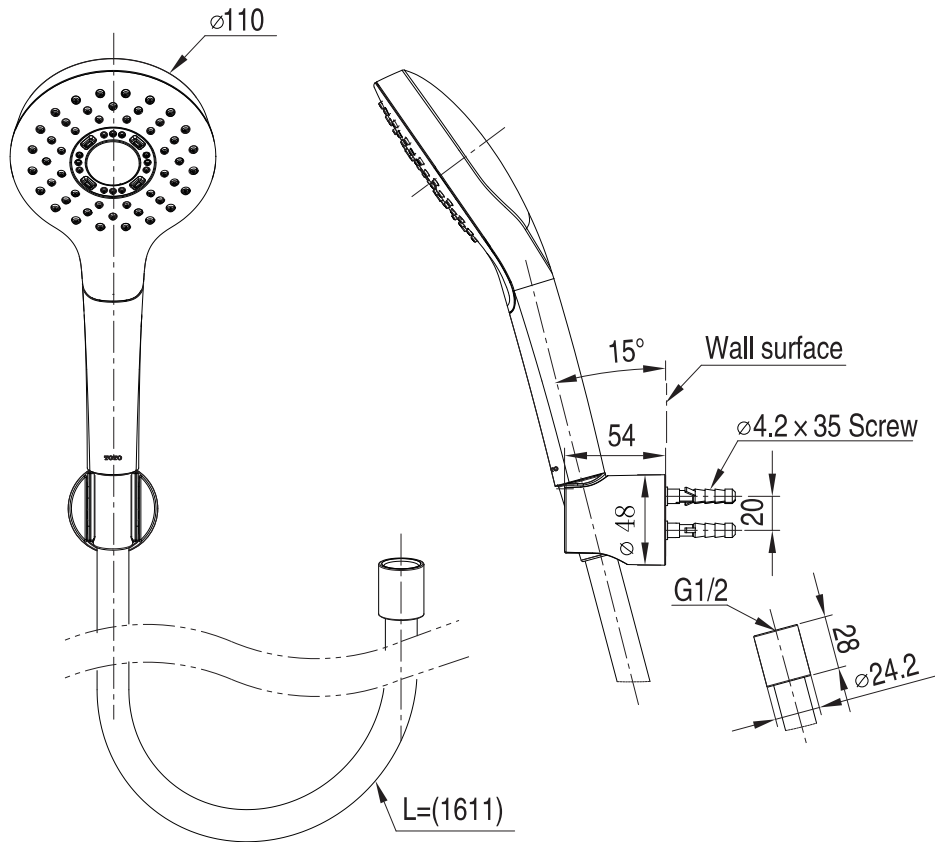
## Maintenance

- In case of mild dirt, use a piece of soft cloth dipped in water and wipe after wringing out.
- In case of severe dirt, use a piece of soft cloth dipped in a neutral cleaner to wipe and then wash with clear water sufficiently. Then use a piece of soft cloth to wipe dry.
- When the nozzle is blocked and the streamline is confused, use a piece of soft cloth dipped in warm water to wipe after wringing out. Take care not to damage the nozzle. If too much force is used in wiping, it is easy for the nozzle to get damaged and deformed. As a result, the streamlines are deformed.



# Installation completion figure

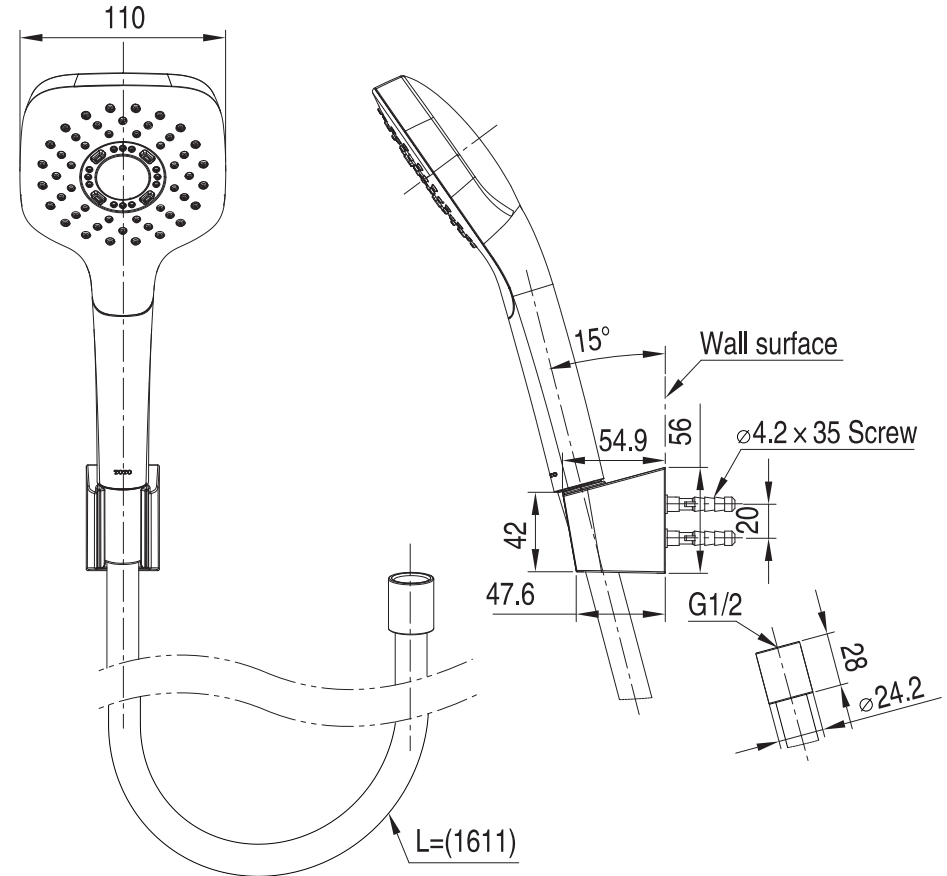
TBW01008\*/TBW01010\*  
 "G Shower" 1mode Hand Shower Set (Standard Type)/  
 "G Shower" 3mode Hand Shower Set (Standard Type)



Note: The unit of the above dimensions is mm; the dimensions in ( ) are reference ones.

# Installation completion figure

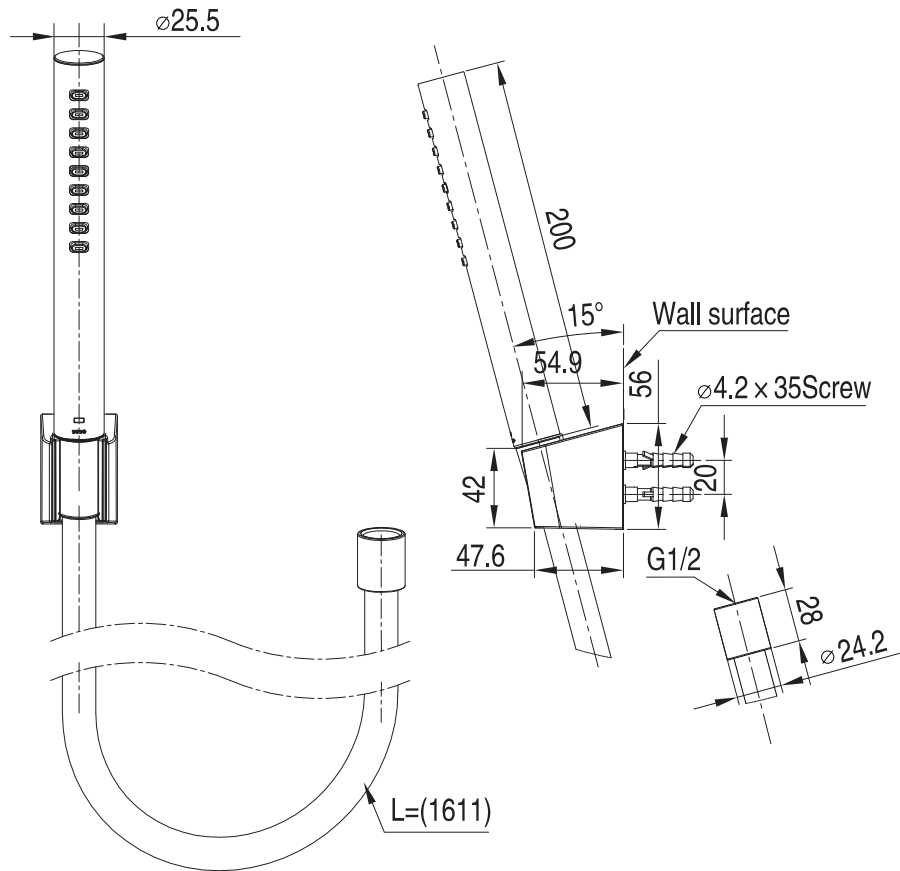
TBW02005\* /TBW02006\*  
 "G Shower" 1mode Hand Shower Set (contemporary Type)/  
 "G Shower" 3mode Hand Shower Set (Contemporary Type)



Note: The unit of the above dimensions is mm; the dimensions in ( ) are reference ones.

# Installation completion figure

TBW02017\*  
"G Shower" Cylinder Hand Shower Set (Contemporary Type)



Note: The unit of the above dimensions is mm; the dimensions in ( ) are reference ones.

# Faucets installation

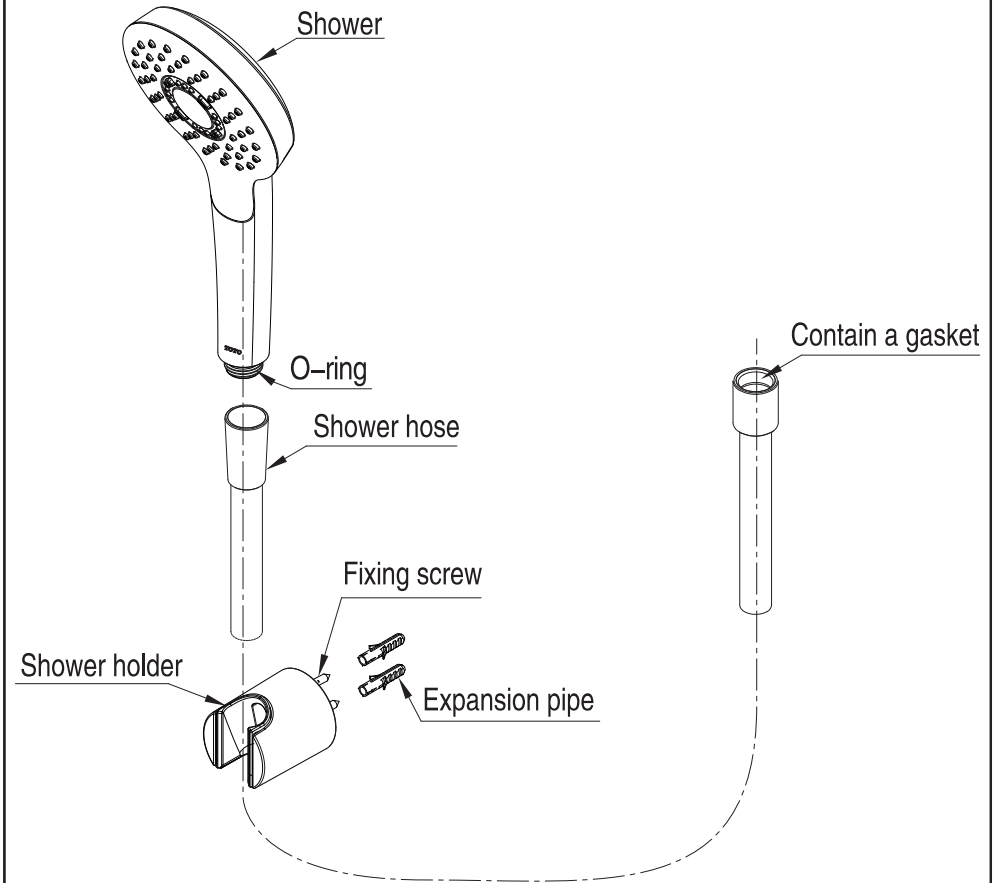
Tools to be prepared before



Screwdriver

Confirmation before installation

- Confirm that the water supply pipe is closed and the water circuit is cleaned before installation
- Read carefully the instructions for construction and conduct installation according to the main points for installation therein.
- Confirm that the components you see in the packing box are identical to that as shown in the figure below.

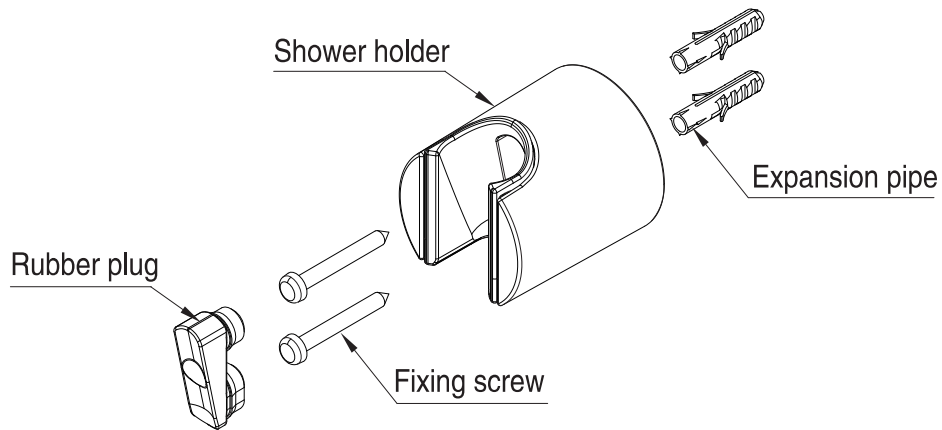




# Faucets installation

1. Connect both ends of the shower hose with the body screw threads and shower respectively.
2. Installation of shower holder
  - ① Refer to the installation hole dimension on the shower holder to perforate two holes vertically on the wall surface.
  - ② Drive the expansion pipe into the hole. Remove the rubber plug in the shower holder cavity with an opening and install the fixing screws.
  - ③ Place the shower holder on the wall surface being perforated beforehand and then fasten with the fixing screws. (Pay attention to ensure that the direction is correct).
  - ④ Install the rubber plug in the shower holder.

Note: Before installation, be sure to confirm the position of the pipe in the wall. Never damage the pipe in drilling and lead to water leakage.



TOTO Asia Oceania Pte. Ltd.

Telephone:65-6744-6955

FAX: 65-6841-0819

Address: 10 Eunos Road 8 #12-07 Singapore Post Centre  
Singapore 408600

Website:asia.toto.com

TOTO KOREA LTD.

전화번호 : (02)-3141-8236

FAX 번호 : (02)-3141-8240

주소 : 서울시 마포구 토정로 112(상수동, 로이코빌딩 3층)

홈페이지 : <http://www.totokr.co.kr>