

TOTO

施工说明书
Instructions for construction

安装产品前请仔细阅读本施工说明书，并保留备用。
Before product installation, read these instructions for
construction carefully and retain it for future reference.

TOTO

OG3811Y(B)
2021.08

目录

目 录

目 录	1
明细单	2-4
使用条件与施工上的注意	5
施工上的注意和保养	6
安装完成图	7-9
水嘴的安装	10-11
生产厂家与销售商	12

明细单

明细单

散水板部	1套	
连接管部	1套	
装饰盖部	1套	
自攻螺钉	3个	埋墙安装 式系列场 合
不锈钢垫片	3个	
弯 头	1个	天棚安装 式系列场 合
施工说明书	1本	
使用说明书	1本	

使用此明细单的产品包括:

DBX113-1CAM 固定花洒(淋浴·空气混入·脉动)

DBX113CAMR 固定花洒(淋浴·空气混入·脉动)

明细单

使用此明细单的产品包括:

DBX114-1CAM 固定花洒(淋浴·空气混入·脉动)

DBX114CAMR 固定花洒(淋浴·空气混入·脉动)

DBX115-1CAM 固定花洒(淋浴·空气混入·脉动)

DBX115CAMR 固定花洒(淋浴·空气混入·脉动)

DBX119-1CAM 固定花洒(淋浴·空气混入·脉动)

DBX119CAMR 固定花洒(淋浴·空气混入·脉动)

DBX120-1CAM 固定花洒(淋浴·空气混入·脉动)

DBX120-1CAM#PG 固定花洒(淋浴·空气混入·脉动)

DBX120CAMR 固定花洒(淋浴·空气混入·脉动)

DBX120CAMR#PG 固定花洒(淋浴·空气混入·脉动)

DBX121-1CAM 固定花洒(淋浴·空气混入·脉动)

DBX121-1CAM#PG 固定花洒(淋浴·空气混入·脉动)

明细单

使用此明细单的产品包括:

DBX121CAMR 固定花洒(淋浴·空气混入·脉动)

DBX121CAMR#PG 固定花洒(淋浴·空气混入·脉动)

DBX139CAM 固定花洒(淋浴·空气混入·脉动)

DBX139CAM#HN 固定花洒(淋浴·空气混入·脉动)

使用条件与施工上的注意

使用条件

1. 供冷水*热水压力：
脉动混合空气水龙头 最低压力……0.05MPa
最高压力……0.5MPa
推荐使用压力……0.2~0.4MPa
2. 供水温度不得超过70℃，建议使用热水温度60±5℃，供热水请勿使用蒸汽。
3. 使用环境温度0℃以上。如果低于0℃，水嘴会出现变形、冻裂等现象。
4. 为防止花洒内部损坏，花洒侧吐水湿度不得超过60℃，建议使用温度45℃以下。
5. 长时间不使用时，可导致水嘴内部及外部锈蚀不能使用等现象。
6. 如果您需要废弃本产品，请勿将其作为一般生活垃圾处理，请依照法规经由独立的回收体系进行合适的处理、恢复和回收。
7. 本说明书中的产品具有清洗功能。

施工上的注意

- ⚠警告** 表示如果无视此标志而误操作时，有可能造成人员重伤或死亡。
⚠注意 表示如果无视此标志而误操作时，有可能造成人身伤害或财产损失。

⚠警告

1. 水嘴的供热水一侧处于高温状态，请注意勿使皮肤直接接触五金配件表面，否则可能会烫伤。
2. 请勿配反冷*热水配管，否则可能会烫伤。
3. 供热水请勿使用蒸汽，否则可能会烫伤。
4. 当直接从吐水口侧切换到淋浴侧或从淋浴器侧切换到吐水口侧时，水温会发生变化，要用手测试水温后再使用，否则可能会烫伤。
5. 如果客户不使用我司水嘴自带的进水口过滤网，可能会出现阀芯内因异物进入而导致的漏水或破损的风险。

施工上的注意与保养

⚠注意

1. 请勿撞击本产品，否则可能会造成故障、漏水。
2. 随着产品式样的不断更新，实物存在与图示不符的情况，但基本安装、使用原理相同。
3. 在可能结冰的场所使用时，要切实做好防冻措施。
因结冰，零件破损，有可能导致漏水，造成财产损失。因结冰而造成的破损即使在保修期内也是有偿修理。请不要让产品的环境温度低于0℃。

防冻措施

- 在可能结冰的场所使用时，要切实做好防冻措施。
1. 产品结冰的话零件损坏，成为漏水的原因。
 2. 因结冰造成的零件破损即使在保修期也是有偿修理。
 3. 施工完了后或长时间不使用时，要有预防突然降温的准备，要对产品进行结冰预防。
 4. 因为有结冰的危险，请不要让产品周围的温度在0℃以下。

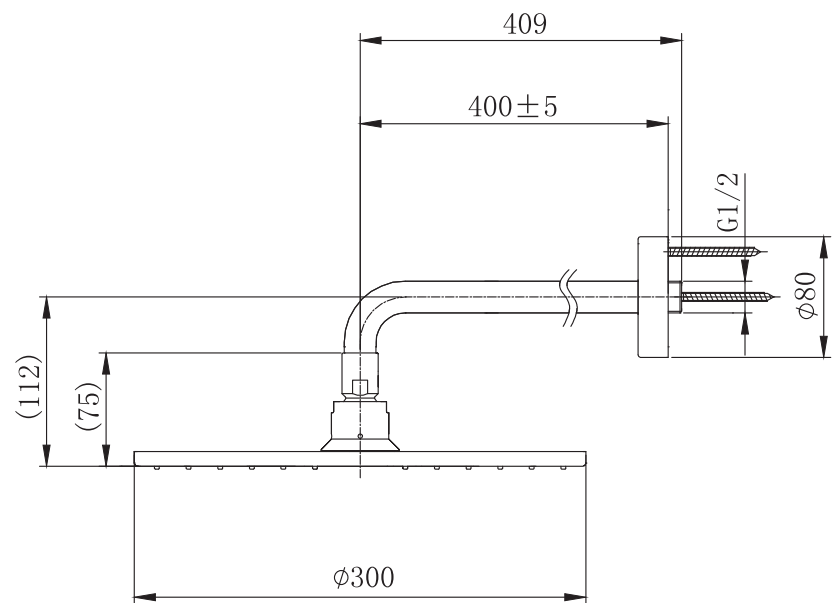
保养

为长期保持产品的美观，请用户按以下方法维护保养。

1. 经常用软布擦拭，间或用软布蘸水擦拭。
2. 当有污垢且比较明显时，请用中性洗涤剂擦拭后充分进行水洗。

安装完成图

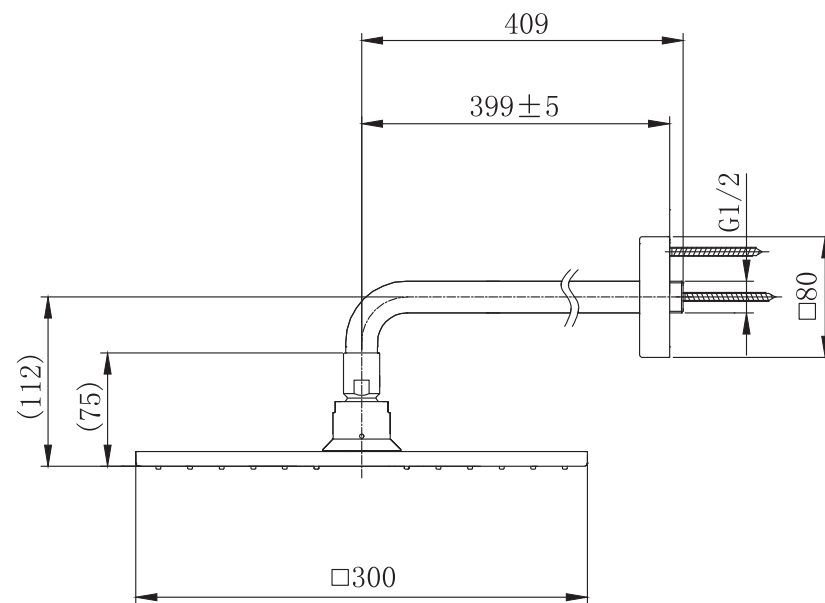
DBX113CAMR 固定淋浴头(淋浴·空气混入·脉动)



注：以上记尺寸单位为mm；()内尺寸为参考尺寸。

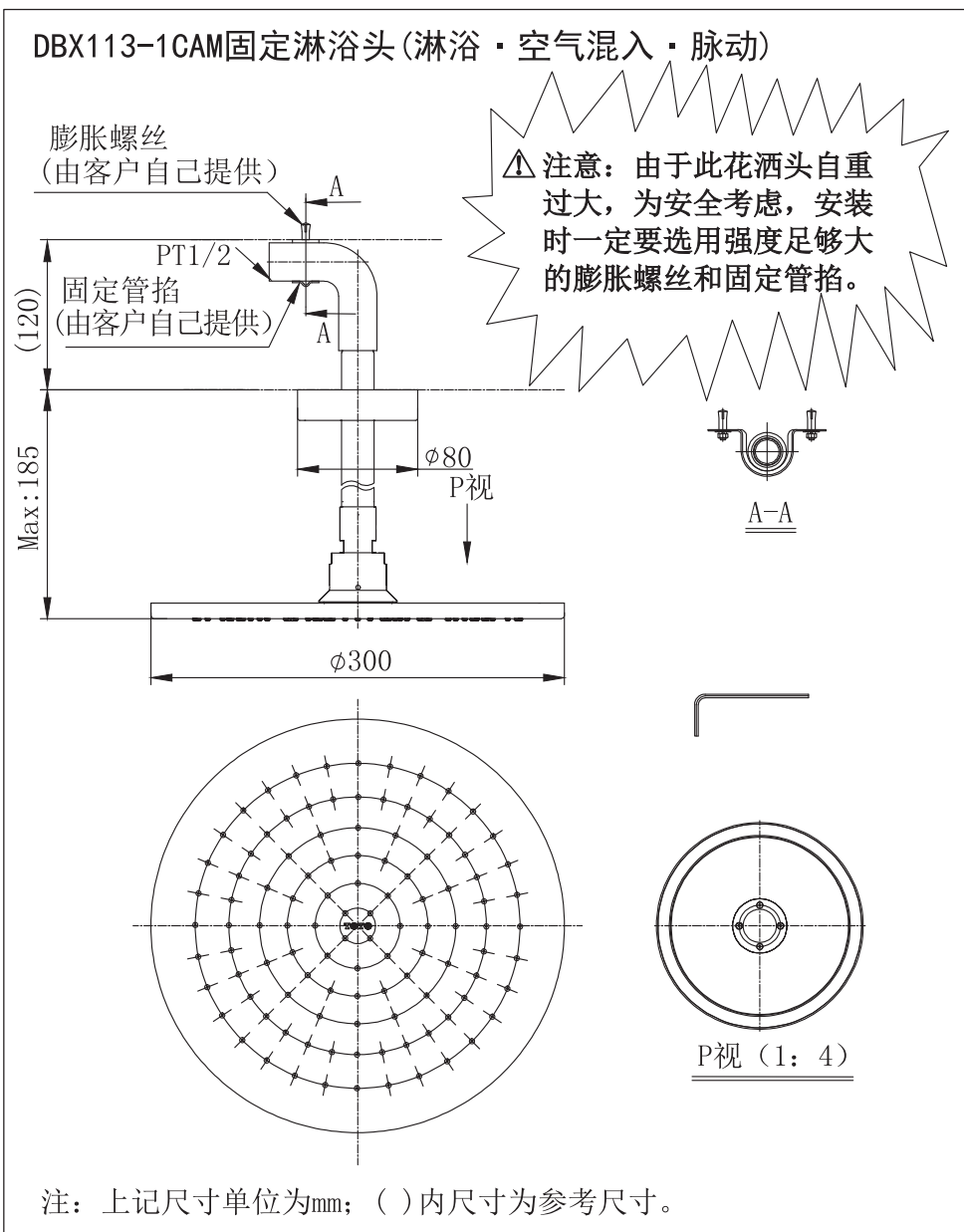
安装完成图

DBX114CAMR 固定淋浴头(淋浴·空气混入·脉动)



注：以上记尺寸单位为mm；()内尺寸为参考尺寸。

完成安装图

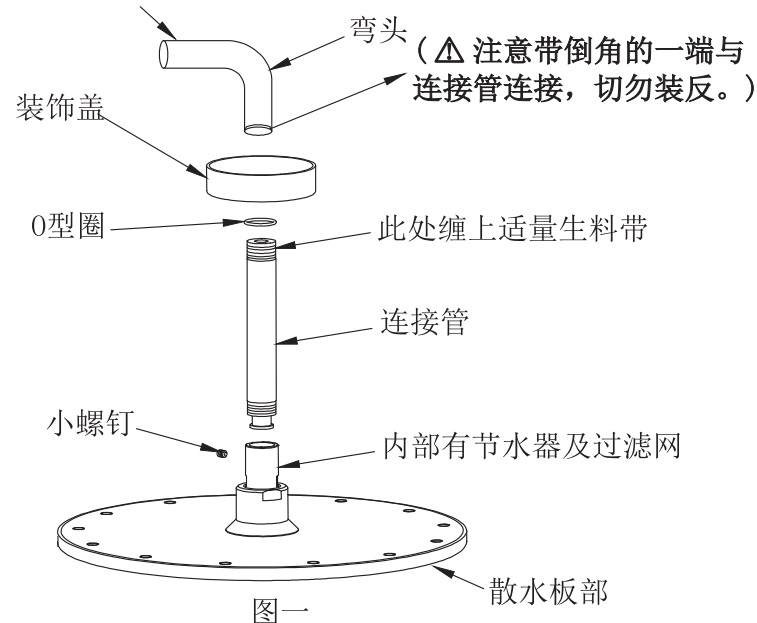


水嘴的安装

脉动混空气系列水嘴

安装前，一定要冲净供水管内的灰尘、砂砾等异物；安装过程中也应充分注意勿使泥沙等杂质进入水嘴或供水管内部。

注意：必须使用强度足够大的膨胀螺丝和固定管掐来固定此弯头



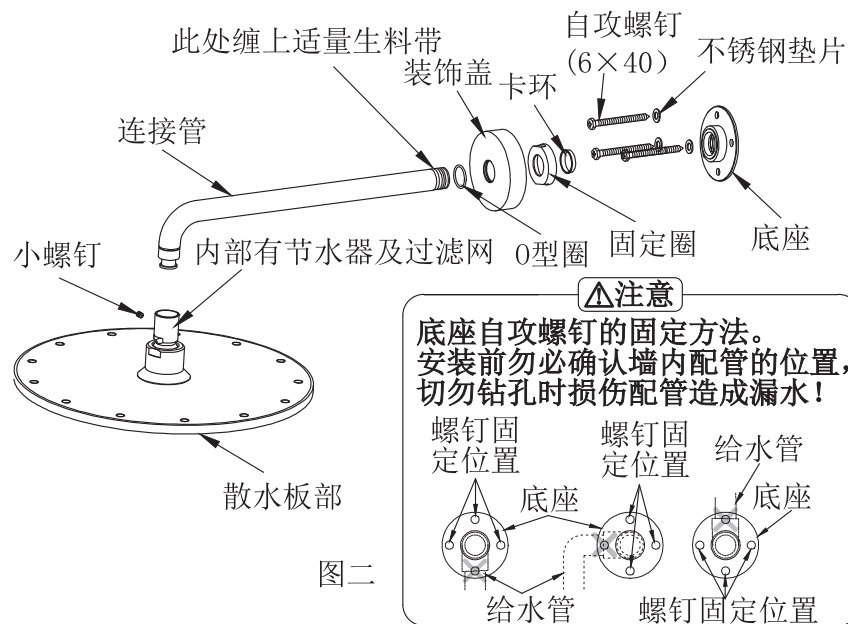
一、天棚安装式系列脉动水嘴的安装(如图一)

1. 首先将O型圈安装在装饰盖上后套在连接管上；
2. 将弯头旋入供水管中，在连接管螺纹处缠上适量生料带，并旋入弯头中(带倒角的一端与连接管连接)，调整弯头和连接管使连接管竖直向下；
3. 将散水板部、过滤网如图依次安装好后，与连接管旋紧，参照完成图调整好“TOT0”的方向后，将小螺钉用六角扳手旋入螺纹孔中，注意充分旋紧；
4. 最后将装饰盖调整好即可。

水嘴的安装

脉动混空气系列水嘴

安装前，一定要冲净供水管内的灰尘、砂砾等异物；安装过程中也应充分注意勿使泥沙等杂质进入水嘴或供水管内部。



二、埋墙安装式系列脉动水嘴的安装（如图二）

1. 底座的安装：

- (1) 先将0型圈安装在装饰盖上与固定圈、卡环（注意安装方向）、底座依次套在连接管上；
- (2) 将连接管螺纹处缠上适量生料带，旋入供水管接头中，调整连接管的旋转角度使其弯管部竖直向下；
- (3) 将底座用自攻螺钉固定在墙面上，然后拧紧固定圈，最后将装饰盖调整好即可；

2. 花洒头部的安装：

将散水板部、过滤网如图依次安装好后，与连接管旋紧，参照完成图调整好“TOTO”的方向后，将小螺钉用六角扳手旋入螺纹孔中，注意充分旋紧。

生产厂家与销售商

执行标准：GB/T 23447-2009、GB 28378-2019

产品型号：见包装箱上的标签

产品名称：见包装箱上的标签

生产日期：见包装箱上的标签

组装工厂：东陶(大连)有限公司

电 话：(0411) 87624383

厂 址：大连经济技术开发区东北二街17号

东陶(中国)有限公司

全国售后服务电话：800-820-9787(固定电话)

400-820-9787(手机用户)

销售商：东陶(中国)有限公司

地 址：北京市朝阳区光华路1号 北京嘉里中心北楼1915室

网 址：www.toto.com.cn

Contents

Contents

Contents	1
Detailed list	2-4
Use conditions and attentions in construction.....	5
Attentions in construction and maintenance	6
Installation completion figure	7-9
Water nozzle installation	10-11
Manufacturer and vendor.....	12

Detailed list

Detailed list

Pron plate part.....	1 set
Connecting pipe part	1 set
Decorative cover part.....	1 set
Self-tapping screws.....	3
Stainless steel gasket.....	3
Elbow	1
Instructions for construction	1 copy
Instructions for operation	1 copy

For wall-mounting type series
For ceiling-mounting type series

The products using this detailed list include:

- DBX113-1CAM Fixed shower
(shower-air mingling in-pulsation)
- DBX113CAMR Fixed shower
(shower-air mingling in-pulsation)

Detailed list

The products using this detailed list include:

DBX114-1CAM	Fixed shower (shower·air mingling in·pulsation)
DBX114CAMR	Fixed shower (shower·air mingling in·pulsation)
DBX115-1CAM	Fixed shower (shower·air mingling in·pulsation)
DBX115CAMR	Fixed shower (shower·air mingling in·pulsation)
DBX119-1CAM	Fixed shower (shower·air mingling in·pulsation)
DBX119CAMR	Fixed shower (shower·air mingling in·pulsation)
DBX120-1CAM	Fixed shower (shower·air mingling in·pulsation)
DBX120-1CAM#PG	Fixed shower (shower·air mingling in·pulsation)
DBX120CAMR	Fixed shower (shower·air mingling in·pulsation)
DBX120-1CAM#PG	Fixed shower (shower·air mingling in·pulsation)
DBX121-1CAM	Fixed shower (shower·air mingling in·pulsation)
DBX121-1CAM#PG	Fixed shower (shower·air mingling in·pulsation)

Detailed list

The products using this detailed list include:



DBX121CAMR	Fixed shower (shower·air mingling in·pulsation)
DBX121CAMR#PG	Fixed shower (shower·air mingling in·pulsation)
DBX139CAM	Fixed shower (shower·air mingling in·pulsation)
DBX139CAM#HN	Fixed shower (shower·air mingling in·pulsation)

Use condition and attentions in construction

Use condition

1. Cold water supply*hot water supply pressure
Impulse mixed air-water faucet Minimum pressure 0.05MPa
Maximum pressure..... 0.5MPa
Recommended Operating pressure0.2-0.4MPa
(flow pressure)
2. The hot water supply temperature must not exceed 70°C, It is suggested to use the hot water temperature of 60±5°C.Do not use steam to supply hot water.
3. The ambient temperature for use is above0°C. If the ambient temperature is lower than0°C, the faucet will deform and crack from freezing.
4. To prevent internal sprinkler damage,the water outlet temperature on the spinkler side shall not exceed 60°C,It is suggested to use a temperature below 45°C.
5. Being out of use for a long time may result in internal and external rust to the faucet and being unable to be used.
6. If you want to scrap this product, do not treat it as you do for general household garbage.Please follow relevant statutes to have it treated, recovered and collected appropriately by an independent recovery system.
7. The product in these instructions has a cleaning function.

Attentions in construction

-  **Warning:**it means that ignoring this mark and misoperation may cause serious personal injury and death.
-  **Attention:** it means that ignoring this mark and misoperation may cause personal injury or property loss.

Warning

1. The hot water supply side of the faucet is in a condition of high temperature.Do not allow skin to contact with the hardware surface directly. Otherwise, scalding may occur.
2. Do not reverse cold*hot water pipes.Otherwise,scalding may occur.
3. Do not use steam to supply hot water. Otherwise, scalding may occur.
4. When switching directly from the water outlet side to the shower side or from the shower side to the water outlet side ,the water temperature may change.Be sure to use after measuring the water temperature with hand.Otherwise,scalding may occur.
5. If a customer fails to use the self-contained water inlet filter net of our water faucet,there is such a risk as water leakage or damage due to foreign matters entering into the spool.

Attentions in use and maintenance

Attentions

1. Do not impact the product. Otherwise, failure, water leakage may occur.
2. With the product design being updated constantly, the physical object may not coincide with the figure. However, the basic principle for installation, use is the same.
3. When using in places where icing may occur, anti-freezing measures must be taken. The parts will be damaged due to icing, which may cause water leakage and property loss. Damages caused by icing are repaired for a fee even during the warranty period. Please ensure that the ambient temperature of the product is always above 0°C.

Anti-freezing measures

When using in places where icing may occur, anti-freezing measures must be taken.

1. The parts will be damaged due to icing, which may cause water leakage.
2. Damaged parts caused by icing are repaired for a fee even during the warranty period.
3. After the construction is completed or when it is not used for a long time, prepare to prevent sudden drop of temperature and prevent the product from icing.
4. Because of the risk of icing, please ensure that the ambient temperature of the product is always above 0°C.

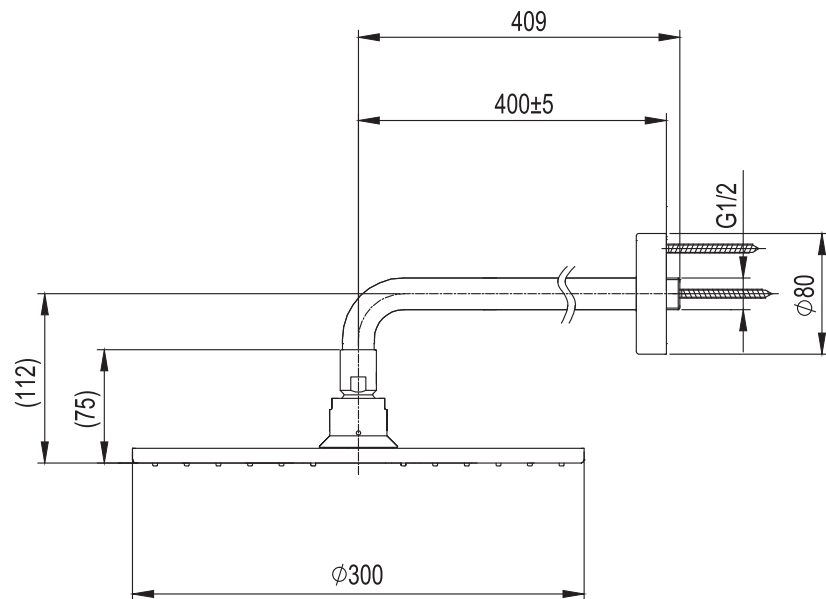
Maintenance

To maintain a beautiful appearance of the product, the user is requested to conduct maintenance and care in the following method.

1. Wipe with a piece of soft cloth frequently and use a piece of soft cloth dipped in water to wipe from time to time.
2. When dirt exists obviously, please use water to wash sufficiently after wiping with a neutral detergent.

Installation completion figure

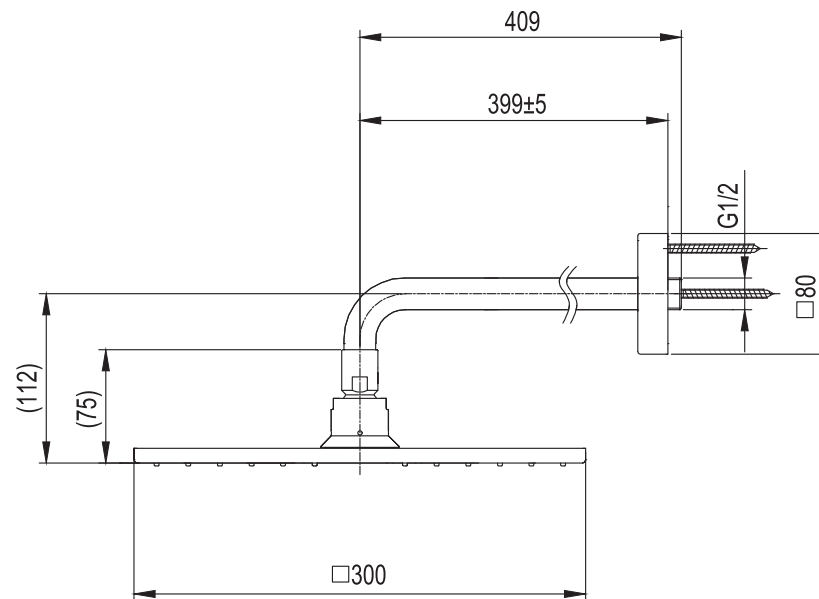
DBX113CAMR Fixed shower (shower · air mingling in · pulsation)



Note: The unit of the above dimensions is mm;
the dimensions in () are reference ones.

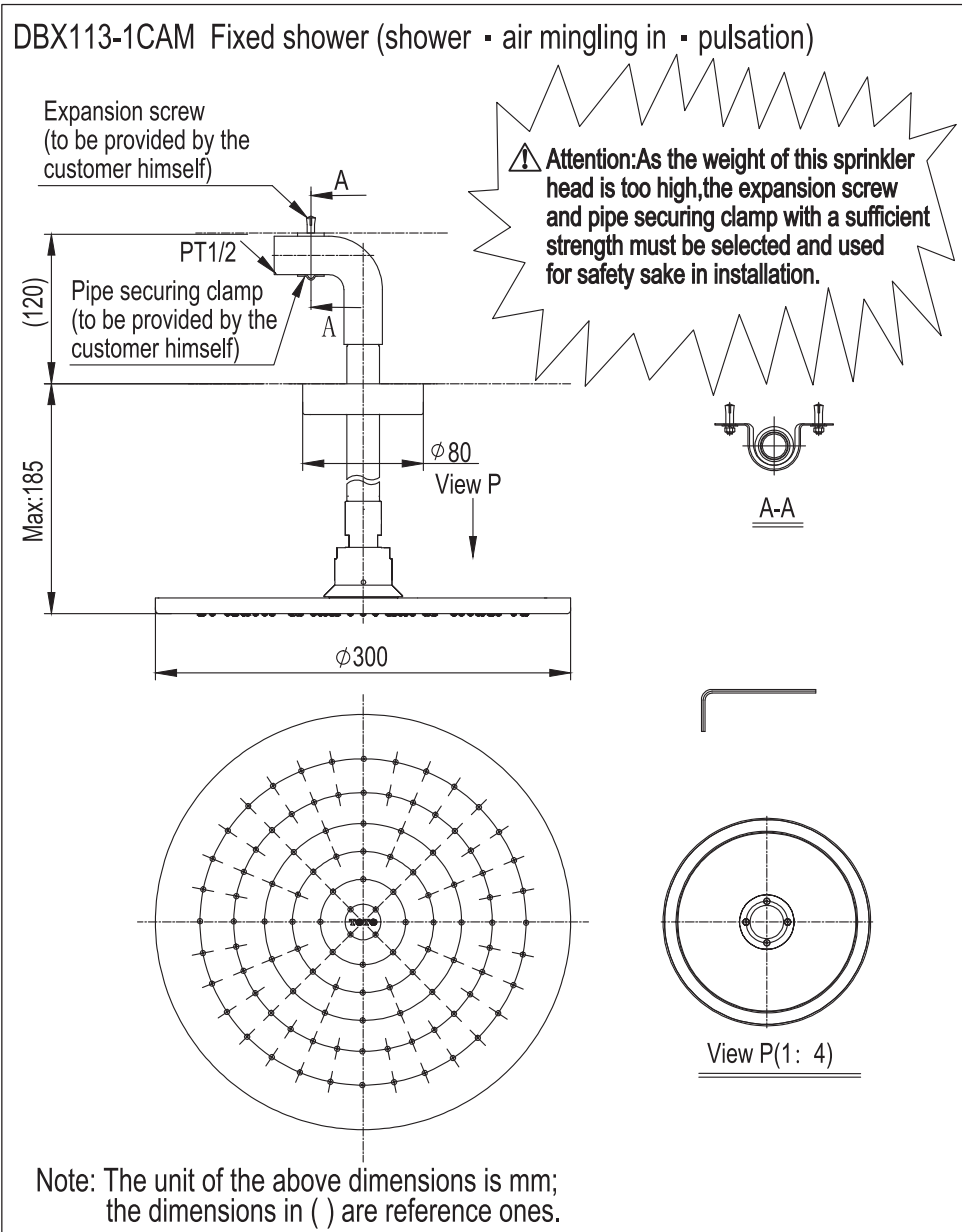
Installation completion figure

DBX114CAMR Fixed shower (shower · air mingling in · pulsation)



Note: The unit of the above dimensions is mm;
the dimensions in () are reference ones.

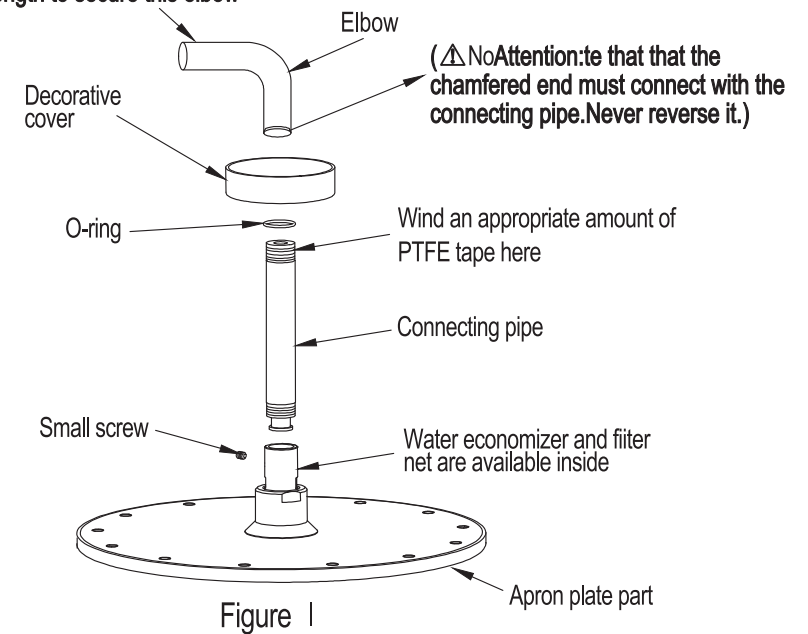
Installation completion figure



Water nozzle installation

Impulse series water nozzle with air mixed
Before installation, be sure to remove by washing such foreign matters as dust, sand, etc. from the water supply pipe; during installation, attention should also be paid sufficiently to keeping such foreign matters as mud and sand, etc. from entering into the water nozzle or water supply pipe

※ It is imperative to use the expansion screw and pipe securing clamp with a sufficient strength to secure this elbow



1. Ceiling-mounting type series impulse water nozzle installation (as shown in Figure 1)
1. First install the O-ring onto the decorative cover and then put on the connecting pipe;
2. Screw the elbow in the water supply pipe, wind an appropriate amount of PTFE tape on the screw threads of the connecting pipe and screw in the elbow (with the chamfered end connecting with the connecting pipe). Adjust the elbow and connecting pipe so that the connecting pipe directs vertically down;
3. After installing properly the apron plate part, filter net in proper order as shown in the figure, screw tightly with the connecting pipe. After adjusting the direction of "TOTO" by referring to the completion figure, screw the small screws in the screw thread holes by using a hexagon wrench. Pay attention to screwing tight sufficiently;
4. Finally, just adjust the decorative cover properly.

Water nozzle installation

Before installation, be sure to remove by washing such foreign matters as dust, sand, etc. from the water supply pipe; during installation, attention should also be paid sufficiently to keeping such foreign matters as mud and sand, etc. from entering into the water nozzle or water supply pipe

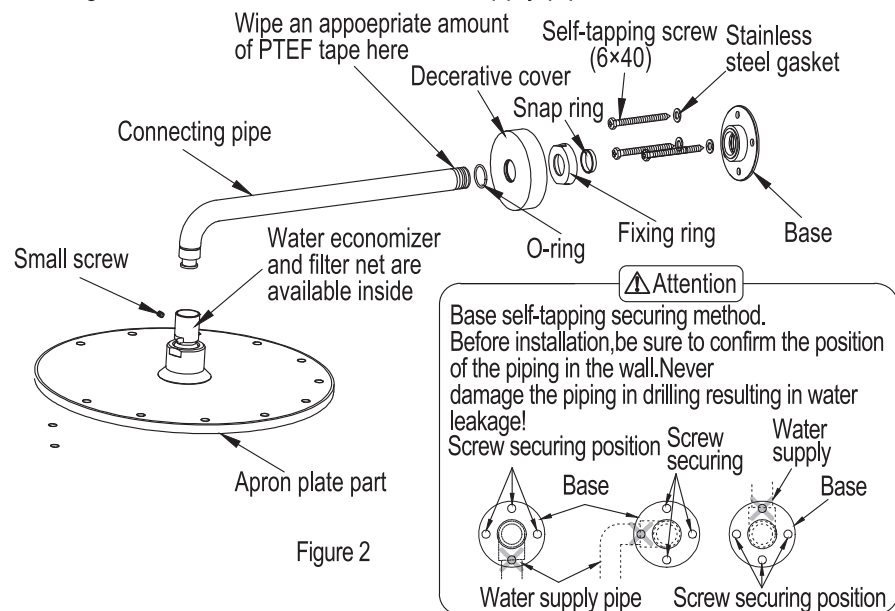


Figure 2

II. Wall buried installation type series impulse water nozzle installation (as shown in Figure II)

1. Base in stallation:

- (1) First install the O-ring onto the decorative cover and then put on the connecting pipe together with the fixing ring, snap ring (note the installation direction) and base in proper order;
- (2) Wind an appropriate amount of PTFE tape on the screw threads of the connecting pipe and screw in the water supply pipe joint. Adjust rotating angle of the connecting pipe so that the bend part directs vertically down;
- (3) Use self-tapping screws to secure the base onto the wall surface. Then tighten the fixing ring. Finally, just adjust the decorative cover properly;

2. Sprinkler head installation:

After installing the apron plate part, filter net in proper order as shown, screw tight with the connecting pipe. After adjusting the direction of "TOTO" by referring to the completion figure, screw the small screws in the screw thread holes by using a hexagon wrench. Pay attention to screwing tight sufficiently;

Manufacturer and vendor

Applicable standard: GB/T 23447-2009

GB 28378-2019

Product Model No.: See the label on the packing box

Product name: See the label on the packing box

Production date: See the label on the packing box

Assembly factory: TOTO (Dalian) Co., Ltd.

Telephone: (0411) 87624383

Factory address: 17 Dong Bei Second Street, Economic & Technical Development Zone, Dalian

TOTO (China) Co., Ltd.

After-sale service toll free telephone all over the country:

800-820-9787 (fixed telephone)

400-820-9787 (for mobile phone users)

Vendor: TOTO (China) Co., Ltd.

Address: Room 1915, North Building of Beijing Jiali Center, No. 1,

Guanghua Road, Chaoyang District, Beijing

Website: www.toto.com.cn