

# 施工说明书

## Instructions for construction

安装产品前请仔细阅读本施工说明书，并保留备用。  
Before product installation, read these instructions for construction carefully and retain it for future reference.

# TOTO

# TOTO

OG3771Y(C)  
2021.09

# 目录

## 目 录

目 录 .....	1
明细单 .....	2
使用条件与施工上的注意 .....	3
施工上的注意和保养 .....	4
安装完成图 .....	5-8
水嘴的安装 .....	9-17
生产厂家与销售 .....	18

# 明细单

## 明细单

水嘴主体 .....	1套
耐压软管 .....	2根
反冲杠杆 .....	1个 ( (DL225*、DL225-1*无)
排水金具 .....	1套
阀 体 .....	2套
手柄部 .....	2套
装饰环 .....	3个
施工说明书 .....	1本
使用说明书 .....	1本

使用此明细单的产品包括:

DL224*	铜合金台式双柄双控洗面器水嘴 (含排水配件)
DL224A*	铜合金台式双柄双控洗面器水嘴 (含排水配件)
DL225*	铜合金台式双柄双控洗面器水嘴 (含排水配件)
DL225-1*	铜合金台式双柄双控洗面器水嘴 (含排水配件)
DL226*	铜合金台式双柄双控洗面器水嘴 (含排水配件)
DL226-1*	铜合金台式双柄双控洗面器水嘴 (含排水配件)
DL226-2*	铜合金台式双柄双控洗面器水嘴 (含排水配件)

# 使用条件与施工上的注意

## 使用条件

1. 供冷水\*热水压力:  
最低压力……………0.05MPa (流动压)  
最高压力……………1.0MPa (静压)
2. 供水温度在4℃~90℃, 建议使用热水温度60±5℃, 供热水请勿使用蒸汽。
3. 使用环境温度0℃以上。如果低于0℃, 水嘴会出现变形、冻裂等现象。
4. 长时间不使用时, 可导致水嘴内部及外部锈蚀不能使用等现象。
5. 如果您需要废弃本产品, 请勿将其作为一般生活垃圾处理, 请依照法规经由独立的回收体系进行合适的处理、恢复和回收。
6. 本说明书中的产品具有清洗功能。

## 施工上的注意

**⚠警告** 表示如果无视此标志而误操作时, 有可能造成人员重伤或死亡。

**⚠注意** 表示如果无视此标志而误操作时, 有可能造成人身伤害或财产损失。

### ⚠警告

1. 水嘴的供热水一侧处于高温状态, 请注意勿使皮肤直接接触五金配件表面, 否则可能会烫伤。
2. 请勿配反冷\*热水配管, 否则可能会烫伤。
3. 供热水请勿使用蒸汽, 否则可能会烫伤。
4. 如果客户不使用我司水嘴自带的进水口过滤网, 可能会出现阀芯因异物进入而导致的漏水或破损的风险。

# 施工上的注意和保养

## ⚠注意

1. 由于陶瓷阀芯是较精密的部件, 请勿擅自分解, 否则可能会造成漏水等不良。
2. 请勿撞击本产品, 否则可能会造成事故、漏水。
3. 必须使用中性洗涤剂清洗, 中性以外的洗涤剂会破坏镀层或使表面变色。
4. 不得使用酸性洗涤剂和去污粉、抛光粉等含粗颗粒的洗涤剂和尼龙刷可能会破坏镀层等。
5. 可使用软布擦拭, 间或用机油或车用蜡浸布擦拭, 但请勿接触树脂部件, 否则可能失去光泽和产生锈蚀。
6. 建议不要长时间不使用, 否则可能会导致水嘴内部以及外部锈蚀不能使用等现象。
7. 如果吐水压力大, 请调节止水阀达到需要的流量, 避免水势过大, 溅出洗面盆。
8. 随着产品式样的不断更新, 实物存在与图片不符的情况, 但基本安装、使用原理相同。
9. 在可能结冰的场所使用时, 要切实做好防冻措施。  
因结冰, 零件破损, 有可能导致漏水, 造成财产损失。因结冰而造成的破损即使在保修期内也是有偿修理。请不要让产品的环境温度低于0℃。

## 防冻措施

在可能结冰的场所使用时, 要切实做好防冻措施。

1. 产品结冰的话零件损坏, 成为漏水的原因。
2. 因结冰造成的零件破损即使在保修期也是有偿修理。
3. 施工完了后或长时间不使用时, 要有预防突然降温的准备, 要对产品进行结冰预防。
4. 因为有结冰的危险, 请不要让产品周围的温度在0℃以下。

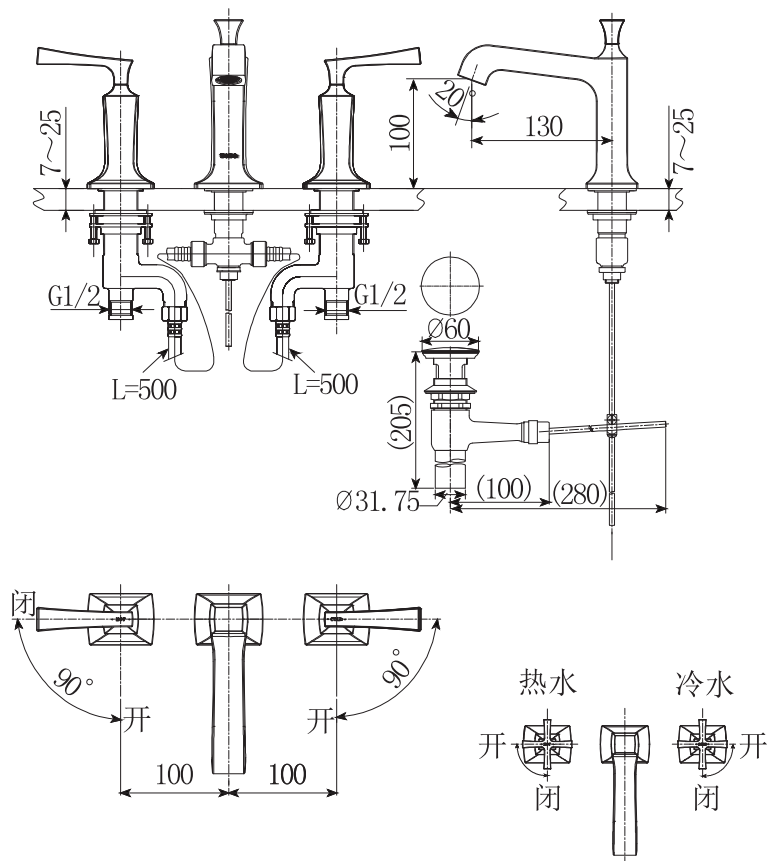
## 保养

为长期保持产品的美观, 请用户按以下方法维护保养。

1. 经常用软布擦拭, 间或用软布蘸水擦拭。
2. 当有污垢且比较明显时, 请用中性洗涤剂擦拭后充分进行水洗。

# 安装完成图

DL224\* 铜合金台式双柄双控洗面器水嘴（含排水配件）

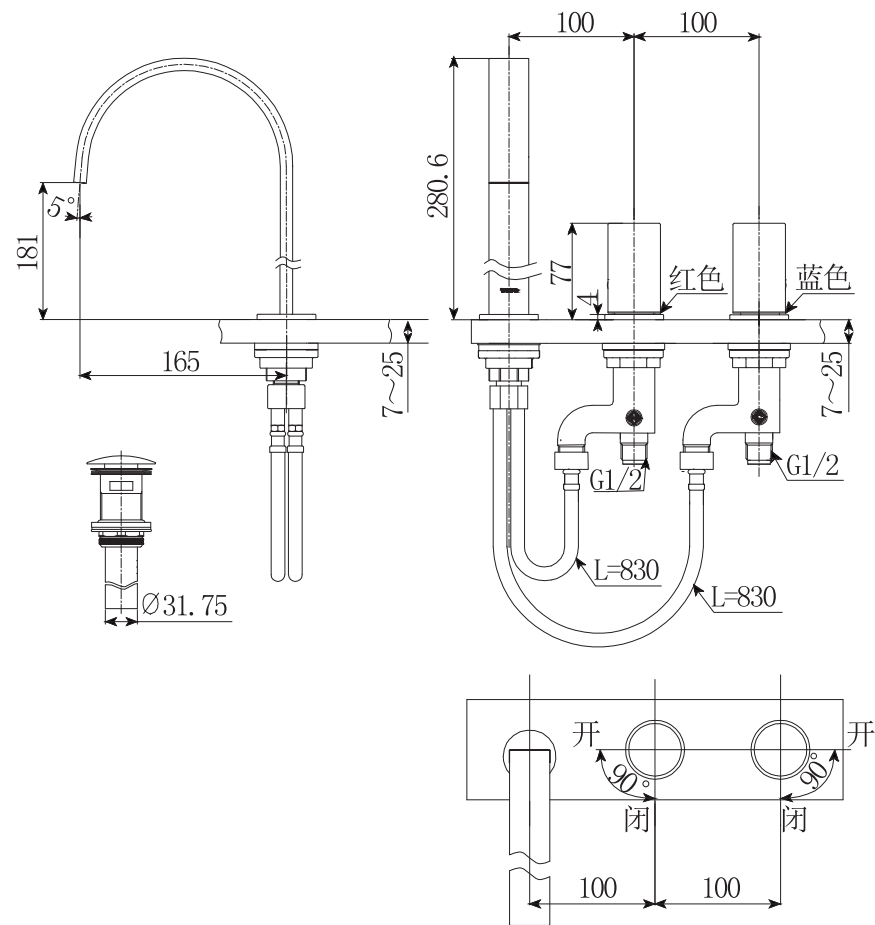


DL224A\*水嘴示意图

注：（）内为建议安装尺寸，上記尺寸单位为mm。  
DL224\*水嘴与DL224A\*水嘴只有手柄形状不同

# 安装完成图

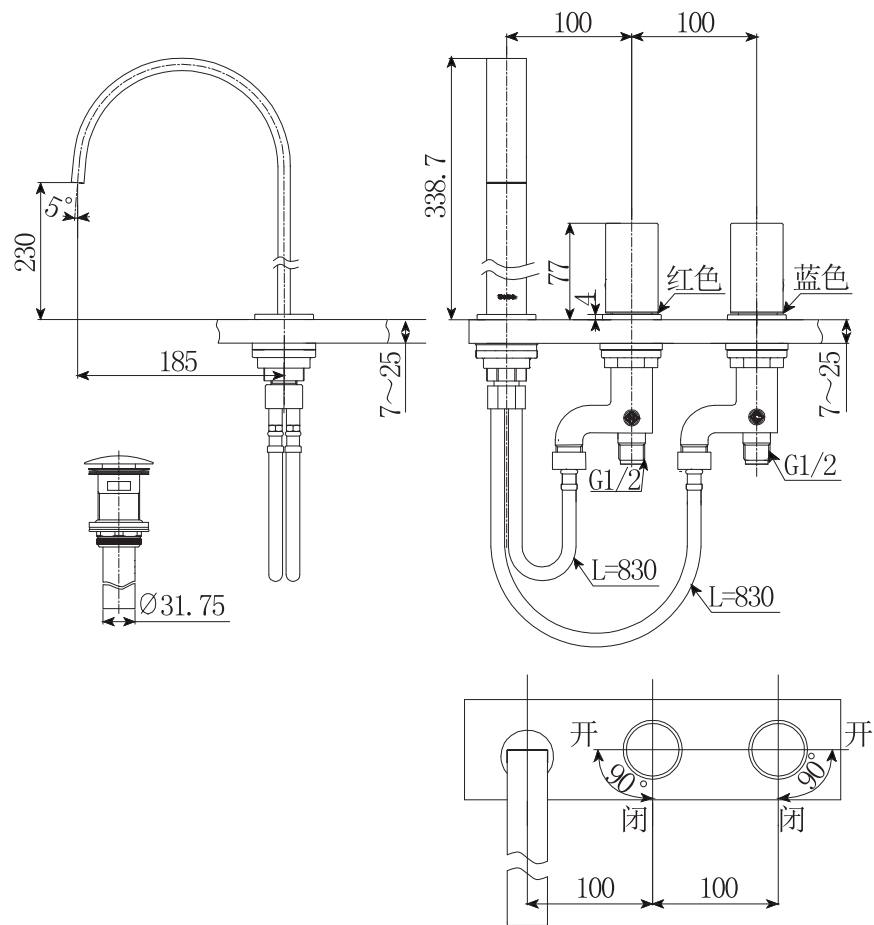
DL225\* 铜合金台式双柄双控洗面器水嘴（含排水配件）



注：（）内为建议安装尺寸，上記尺寸单位为mm。

# 安装完成图

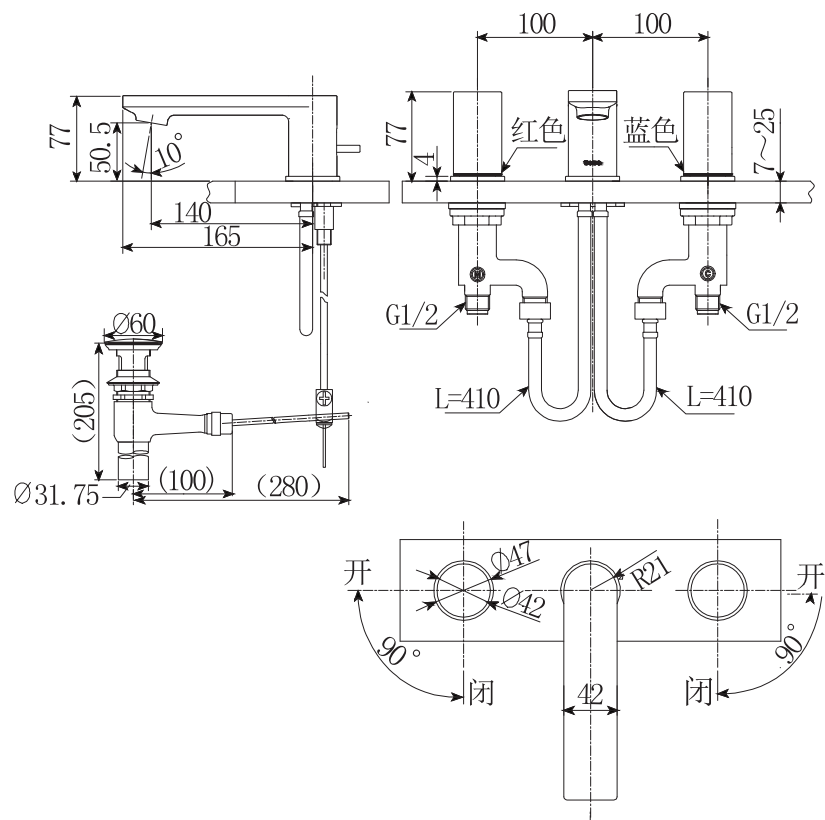
DL225-1\* 铜合金台式双柄双控洗面器水嘴（含排水配件）



注：（）内为建议安装尺寸，上記尺寸单位为mm。

# 安装完成图

DL226\* 铜合金台式双柄双控洗面器水嘴（含排水配件）



注：（）内为建议安装尺寸，上記尺寸单位为mm。

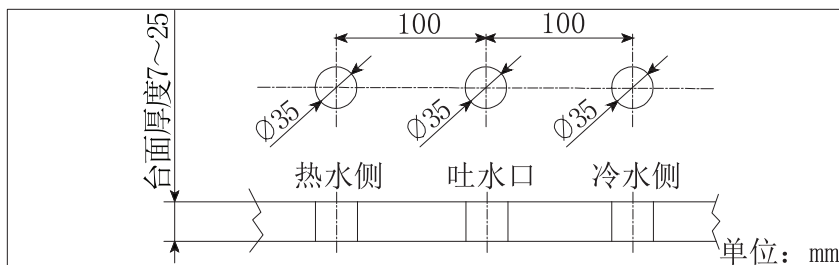
# 水嘴的安装

## 1. 供水管内的清扫

安装之前，一定要冲净供水管内的灰尘，砂砾等异物。

## 2. 孔的设定

①使用台下式洗面盆时，台面上孔如图设定。



②使用已有安装孔的洗面盆时，请注意安装孔是否合适

# 水嘴的安装

## DL224系列水嘴

主体部与手柄部的安装

①清除安装孔周围的污物。

②适当调整吐水主体的方向使吐水口朝正前方，TOTO字样朝正前方，利用橡胶垫片和固定螺母将其固定在洗面盆或台面上。

③摆正手柄台座和手柄杆方向，调节冷、热水侧的阀体后用固定螺母将手柄部固定。

### △注意：

a. 如图所示，耐压软管的另一端与阀体相连时，注意有垫片。

b. 安装阀体时先将手柄台座部拆下后如图所示进行安装。务必先使手柄台座部紧固到阀体上最大限度后，再调节下端固定螺母和螺钉，使阀体充分固定。

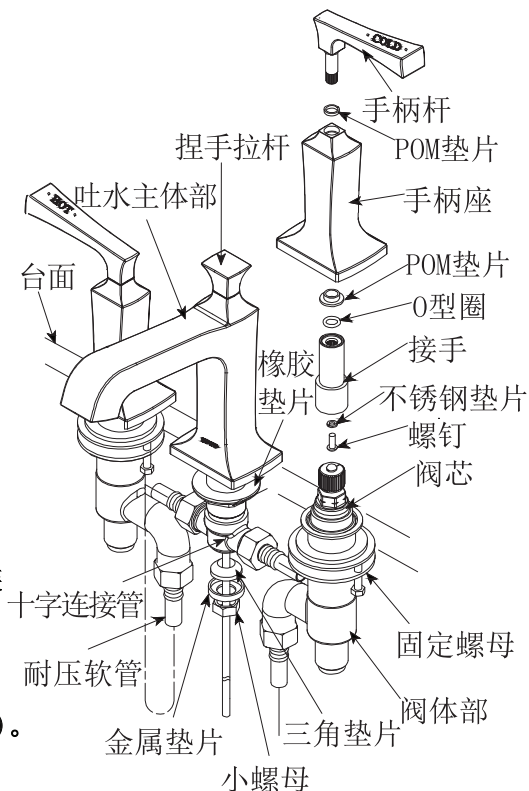
c. 带C侧标签的阀体部装在冷水侧（右侧），带H侧标签的阀体部装在热水侧（左侧）。

务必将陶瓷芯上有槽的阀体作为冷水侧（右侧），将无槽的作为热水侧（左侧）（DL224A\*场合相反）。

④将手柄部安装在手柄台座上，拧紧内六角螺钉。

△注意：手柄部不要装反（带有HOT标记为热水侧，COLD标记为冷水侧）。

⑤将耐压软管按图示方法连接到阀体上（用户可按实际情况适当调节）。△注意：务必将带有红线的耐压软管接到热水侧；带有蓝线的耐压软管接到冷水侧。



# 水嘴的安装

## DL225系列水嘴

### 主体部与手柄部的安装

- ①如图所示，卸下主体下部的固定螺母及垫片。
- ②调整主体的方向，使其达到想要的安装方式。
- ③再将垫片和固定螺母安装到主体上(注意要充分拧紧)。
- ④分别调节冷水侧和热水侧的装饰环台座和固定螺母，固定冷水侧和热水侧的阀体。

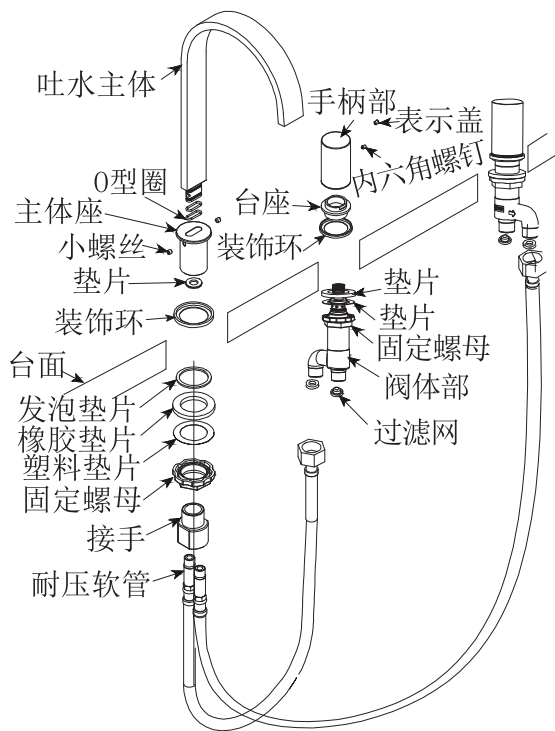
### ⚠注意：

- a. 如图所示，耐压软管与阀体相连时，注意有垫片。
  - b. 安装阀体时先将装饰环部分拆下后如图所示进行安装。务必先使装饰环紧固到阀体上最大限度后，再调节下端的固定螺母，使阀体充分固定。
  - c. C侧标签装在冷水侧(右侧) H侧标签装在热水侧(左侧)。务必将陶瓷阀芯上有槽的阀体作为热水侧(左侧)，将无槽的作为冷水侧(右侧)。
- ④将手柄安装在台座上，拧紧内六角螺钉，再将表示盖按在手柄上。

### ⚠注意：手柄不要装反(带有红色标记为热水侧，蓝色标记为冷水侧)。

- ⑤将耐压软管按图示方法连接到阀体上(用户可按实际情况适当调节)。

### ⚠注意：务必将带有红线的耐压软管接到热水侧；带有蓝线的耐压软管接到冷水侧。



# 水嘴的安装

## DL226系列水嘴

### 主体部与手柄部的安装

- ①清除安装孔周围的污物。
- ②适当调整吐水主体的方向使吐水口朝正前方，利用马蹄形垫片和固定螺母将其固定在洗面盆或台面上。
- ③分别调节冷水侧和热水侧的装饰环台座和固定螺母，固定冷水侧和热水侧的阀体。

### ⚠注意：

- a. 如图所示耐压软管与阀体相连时，注意有垫片。
- b. 安装阀体时先将台座部分拆下后如图所示进行安装。务必先使台座紧固到阀体上最大限度后，再调节下端的固定螺母，使阀体充分固定。
- c. C侧标签装在冷水侧(右侧)，H侧标签装在热水侧(左侧)。务必将陶瓷阀芯上有槽的阀体作为热水侧(左侧)，将无槽的作为冷水侧(右侧)。

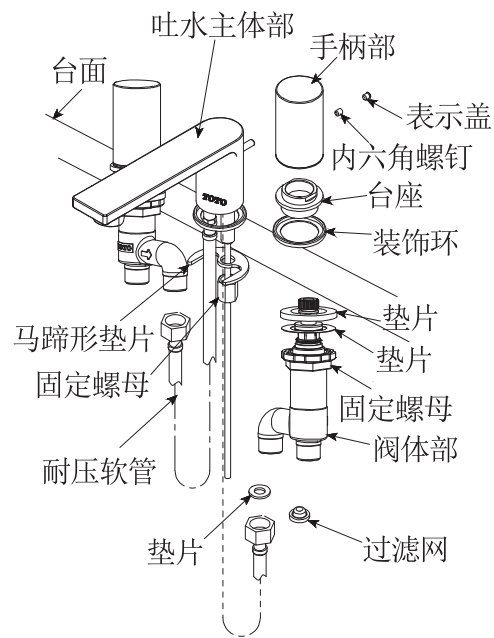
- ④将手柄安装在台座上，拧紧内六角螺钉，再将表示盖按在手柄上。

### ⚠注意：手柄不要装反(带有红色标记为热水侧，蓝色标记为冷水侧)。

- ⑤将耐压软管按图示方法连接到阀体上(用户可按实际情况适当调节)。

### ⚠注意：务必将带有红线的耐压软管接到热水侧；带有蓝线的耐压软管接到冷水侧。

建议：陶瓷面盆场合下需要安装装饰环；理石台面场合下可以不安装装饰环。



# 水嘴的安装

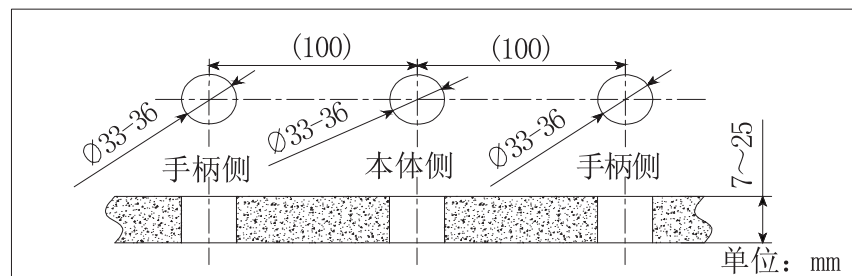
DL226-1、DL226-2系列

## 1. 供水管内的清扫

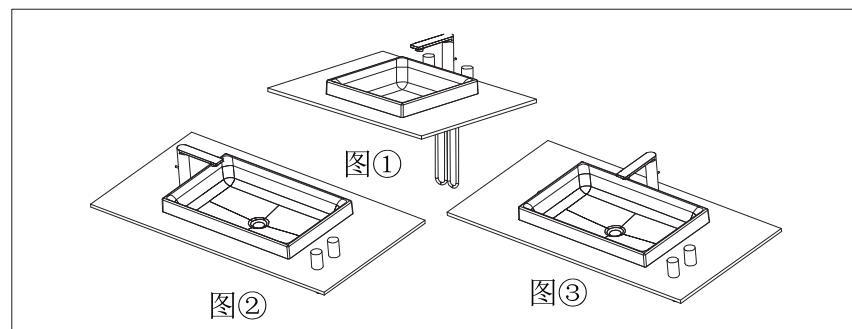
安装之前，一定要冲净供水管内的灰尘、砂砾等异物

## 2. 孔的设定

大理石台面的设定



大理石台面的安装方式



此系列制品在大理石台面的安装具有随意性。

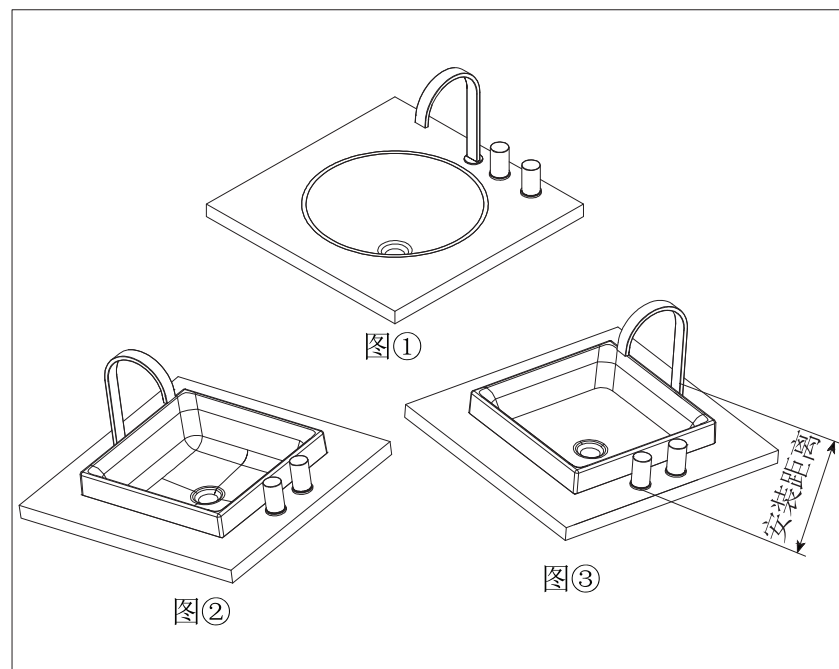
如图①所示：手柄部和主体部可以并排安装于大理石台面上，两个手柄位于主体两侧，此种状态的安装手柄和主体孔距要保证100mm。

如图②③所示：手柄部和主体部可以自由位置安装于大理石台面上，但两个手柄要沿面盆侧面平行的方向纵向排列安装，两个手柄孔距100mm，此种状态的安装由于受到耐压软管长度的限制，主体和手柄安装孔距要保证在630mm以内。

# 水嘴的安装

DL225系列水嘴

## 1. 大理石台面的安装方式



此系列制品当安装在大理石台面的时候安装具有随意性。

如图①所示：手柄部和主体部可以并排安装于大理石台面上，孔距100mm。

如图②③所示：手柄部和主体部可以自由位置安装于大理石台面上，此种状态的安装由于受到耐压软管长度的限制，安装距离要保证在630mm以内。

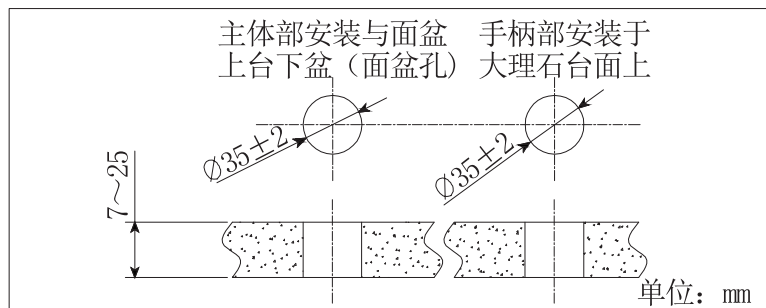
**⚠注意：**安装于大理石台面时，产品台座由客户确定是否采用，不使用此装饰环时客户自行将装饰环废弃即可，并请客户自行在主体部粘贴发泡垫片，防止水渗入台面（附带发泡垫片）。



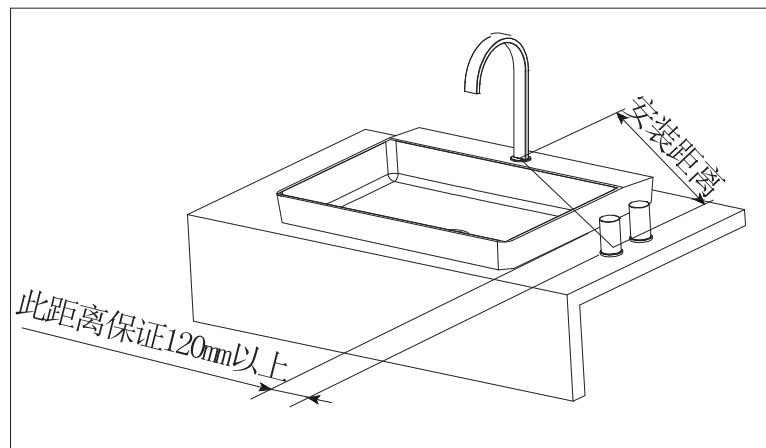
# 水嘴的安装

## 2. 单孔面盆安装

主体部安装于单孔洗面盆上，手柄部安装于大理石台面上。  
台面孔的设定



安装方式



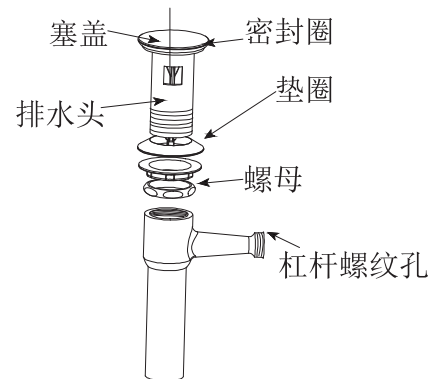
△注意：上图的安装方式只适用于DL225系列。

如图所示：主体部安装于洗面盆上，此种状态安装时必须安装装饰环，手柄部只能安装于大理石台面上，手柄安装于大理石台面的状态时可以在大理石台面的任意位置，安装距离要保证在630mm以内。

# 水嘴的安装

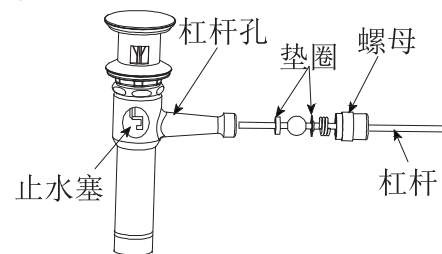
## 排水金具的安装(示例)

### ①排水主体的安装



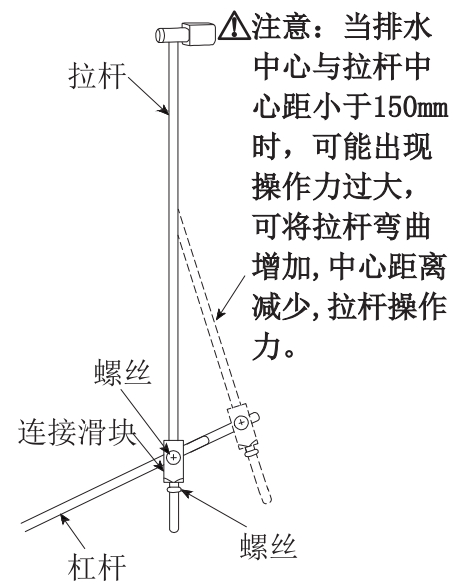
- 把排水头和密封圈从排水主体上卸下。
- 然后把排水主体从面盆下面放入。
- 从面盆上面将排水头和密封圈组合到排水主体上。
- 调节安装杠杆螺纹孔的方向，使其正对墙壁。
- 将螺母拧至合适位置，避免面盆破损。

### ②排水杠杆的安装



- 请注意止水塞的方向。
- 将杠杆经过杠杆孔，插入到止水塞孔中，然后把螺母旋紧。

### ③提拉杆的安装



- 如图所示：先将杠杆穿过连接滑块，然后用连接螺母将提拉杆与连接杆固定，再调整连接滑块的位置，使杠杆与止水塞处于合适位置并用螺丝固定。
- 如果止水塞不能正常升降，请客户自行调节连接滑块在连接杆与杠杆上的位置。

# 水嘴的安装

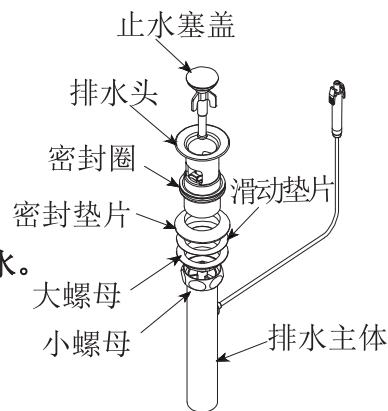
## 排水金具的安装(示例)

### ①排水主体的安装(如图所示)

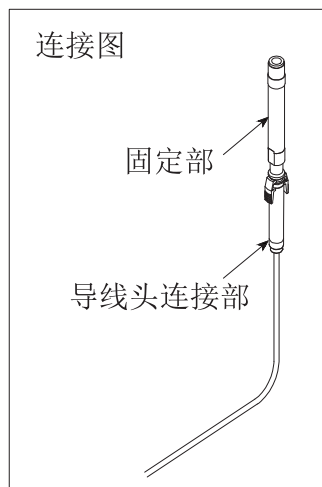
- 把排水头和密封圈从排水主体上卸下。
- 将排水头和密封圈从面盆上面放入，将密封垫片以下部分，从面盆下面与排水头组合一起。

**△注意:务必将大螺母拧紧防止面盆漏水。**

- 调节线孔的方向，使其正面对准图示固定轴，拧紧小螺母。
- 将止水塞盖放入排水头内。



### 连接图



### ②连接部位的安装(如图所示)

- 拉杆手柄、拉杆、固定轴已经组装在主体上。
- 客户将排水主体的导线头连接部扣入固定轴底部即可。
- 此排水金具属于弹压式: 按压拉杆手柄，止水塞盖弹起; 再次按压拉杆手柄，止水塞盖落下。

# 生产厂家与销售商

执行标准: GB 18145-2014、GB 25501-2019

产品型号: 见包装箱上的标签

产品名称: 见包装箱上的标签

生产日期: 见包装箱上的标签

组装工厂: 东陶(大连)有限公司

电 话: (0411) 87624383

厂 址: 大连经济技术开发区东北二街17号

东陶(中国)有限公司

全国售后服务电话: 800-820-9787(固定电话)

400-820-9787(手机用户)

销售商: 东陶(中国)有限公司

地 址: 北京市朝阳区光华路1号 北京嘉里中心北楼1915室

网 址: [www.toto.com.cn](http://www.toto.com.cn)

# Contents

Contents	
Contents .....	1
Detailed list .....	2
Use conditions and attentions in in construction.....	3
Attentions in construction and maintenance .....	4
Installation completion figure .....	5-8
Water nozzle installation .....	9-17
Manufacturer and vendor.....	18

# Detailed list

Detailed list	
Main water tap body .....	1 set
Pressure-resistant hose ...	2 pieces
Recoil lever.....	1 piece (None for DL225*、DL225-1*)
Water drainage fittings .....	1 set
Valve body .....	2 sets
Handle part .....	2 sets
Instructions for construction.....	1 copy
Instructions for operation.....	1 copy
The products using this detailed list include:	
DL224*	Copper alloy desk type double-handle double -control basin water faucet(including water drainage accessories)
DL224A*	Copper alloy desk type double-handle double -control basin water faucet(including water drainage accessories)
DL225*	Copper alloy desk type double-handle double -control basin water faucet(including water drainage accessories)
DL225-1*	Copper alloy desk type double-handle double -control basin water faucet(including water drainage accessories)
DL226*	Copper alloy desk type double-handle double -control basin water faucet(including water drainage accessories)
DL226-1*	Copper alloy desk type double-handle double -control basin water faucet(including water drainage accessories)
DL226-2*	Copper alloy desk type double-handle double -control basin water faucet(including water drainage accessories)


# Use condition and attentions in construction

## Use condition

1. Cold water supply\*hot water supply pressure  
Minimum pressure ..... 0.05MPa (flow pressure)  
Maximum pressure.....1.0 MPa (static pressure)
2. The temperature for water supply is 4~90°C, It is suggested to use the hot water temperature of 60±5°C.Do not use steam to supply hot water.
3. The ambient temperature for use is above0°C. If the ambient temperature is lower than0°C, the faucet will deform and crack from freezing.
4. Being out of use for a long time may result in internal and external rust to the faucets and being unable to be used.
5. If you want to scrap this product, do not treat it as you do for general household garbage.Please follow relevant statutes to have it treated, recovered and collected appropriately by an independent recovery system.
6. The product in these instructions has a cleaning function.

## Attentions in construction

 **Warning:**it means that ignoring this mark and misoperation may cause serious personal injury and death.

 **Attention:** it means that ignoring this mark and misoperation may cause personal injury or property loss.

### Warning

1. The hot water supply side of the faucet is in a condition of high temperature.Do not allow skin to contact with the hardware surface directly. Otherwise, scalding may occur.
2. Do not reverse cold\*hot water pipes.Otherwise,scalding may occur.
3. Do not use steam to supply hot water. Otherwise, scalding may occur.
4. If a customer fails to use the self-contained water inlet filter net of our water faucet,there is such a risk as water leakage or damage due to foreign matters entering into the spool.

# Attentions in construction and maintenance

## Attentions

1. As the ceramic cartridge is a precise component,do not dismantle it without authorization.Otherwise,such poor conditions as water leakage,etc.may be caused.
2. Do not impact the product. Otherwise, failure, water leakage may occur.
3. It is imperative to use a neutral detergent in cleaning. Other detergents than a neutral one may damage the plating coat or make the surface discolor.
4. Do not use any such detergent as acidic detergent and abstergent, polishing powder, etc. containing thick particles and nylon brush. Otherwise, the plating coat may be damaged, etc.
5. It is allowed to use a piece of soft cloth to wipe or use from time to time a piece of cloth immersed in machine oil or vehicle wax to wipe. However, do not contact with resin components. Otherwise, they may lose the gloss and become rusty.
6. It is suggested not to leave it unused for a long time. Otherwise, this may lead to internal and external rust to faucets to such a degree that it cannot be used any more,etc.
7. If water pressure disgorges a large pressure,please adjust the water stop valve to attain the required flow to avoid water flow being too high to splash out from the face wash basin.
8. With the product design being updated constantly, the physical object may not coincide with the figure. However, the basic principle for installation, use is the same.
9. When using in places where icing may occur, anti-freezing measures must be taken.The parts will be damaged due to icing, which may cause water leakage and property loss. Damages caused by icing are repaired for a fee even during the warranty period. Please ensure that the ambient temperature of the product is always above 0°C.

## Anti-freezing measures

When using in places where icing may occur, anti-freezing measures must be taken.

1. The parts will be damaged due to icing, which may cause water leakage.
2. Damaged parts caused by icing are repaired for a fee even during the warranty period.
3. After the construction is completed or when it is not used for a long time, prepare to prevent sudden drop of temperature and prevent the product from icing.
4. Because of the risk of icing, please ensure that the ambient temperature of the product is always above 0°C.

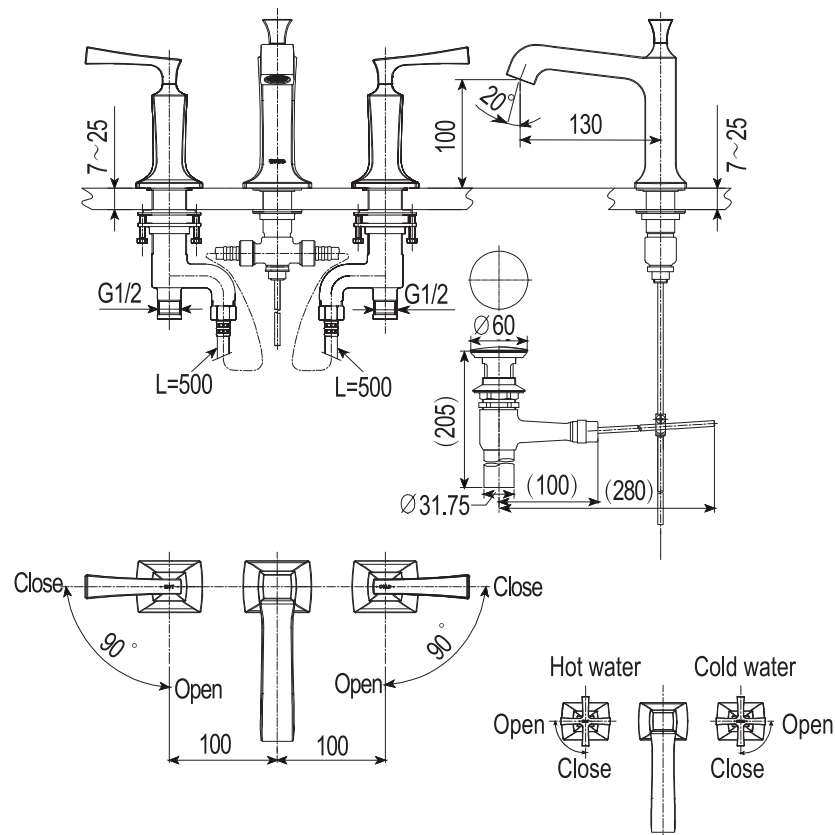
## Maintenance

To maintain a beautiful appearance of the product, the user is requested to conduct maintenance and care in the following method.

- 1.Wipe with a piece of soft cloth frequently and use a piece of soft cloth dipped in water to wipe from time to time.
- 2.When dirt exists obviously,please use water to wash sufficiently after wiping with a neutral detergent.

# Installation completion figure

DL224\* Copper alloy desk type double-handle double-control basin water faucet  
(including water drainage accessories)



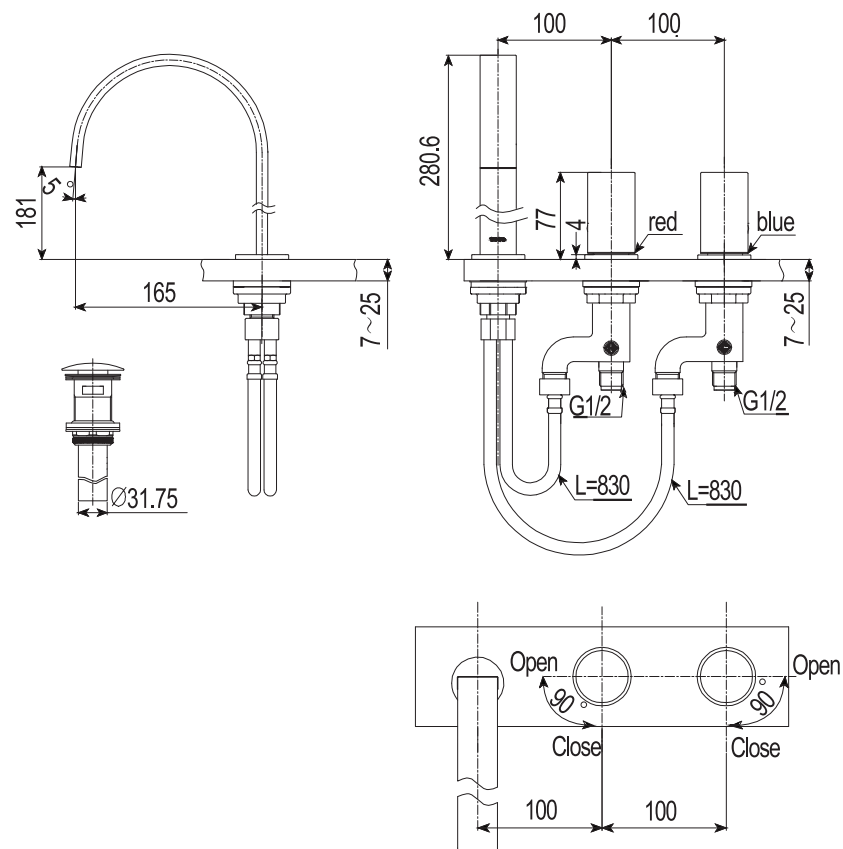
Schematic diagram for DL224A\* water tap

Note: The dimensions in ( ) are reference dimensions  
The unit of the above dimensions is mm.

The difference between DL224\* water tap and DL224A\* water tap is the shape of handle lever.

# Installation completion figure

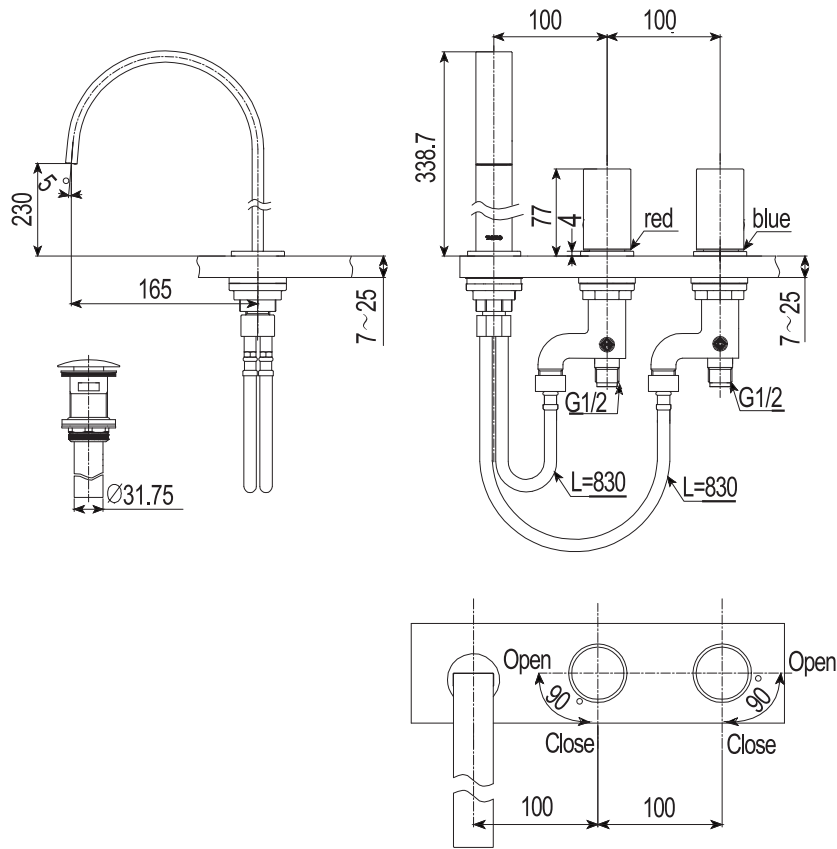
DL225\* Copper alloy desk type double-handle double-control basin water faucet  
(including water drainage accessories)



Note: The dimensions in ( ) are reference dimensions  
The unit of the above dimensions is mm.

# Installation completion figure

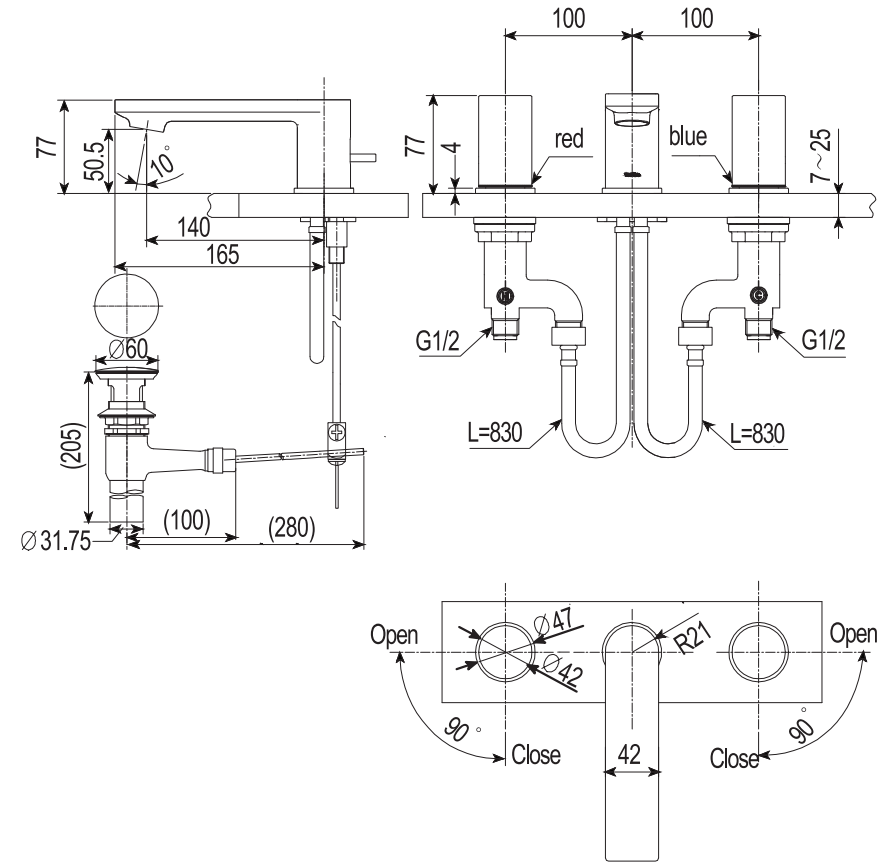
DL225-1\* Copper alloy desk type double-handle double-control basin water faucet  
(including water drainage accessories)



Note: The dimensions in ( ) are reference dimensions  
The unit of the above dimensions is mm.

# Installation completion figure

DL226\* Copper alloy desk type double-handle double-control basin water faucet  
(including water drainage accessories)



Note: The dimensions in ( ) are reference dimensions  
The unit of the above dimensions is mm.

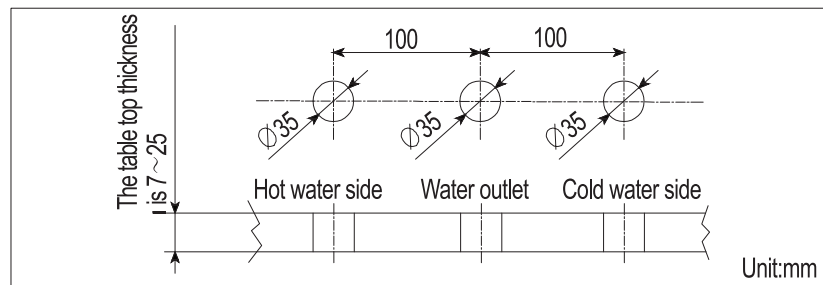
# Water nozzle installation

## 1. Cleaning in the water supply pipe

Before installation, be sure to remove by washing such foreign matters as dust, sand, etc., in the water supply pipe.

## 2. Hole setting

- ① When using an under-sink wash basin, holes on the table top are set as shown in the figure below



- ② When using a wash basin having mounting holes already, note if the mounting holes are appropriate.

# Water nozzle installation

## DL224 series water tap

### Installation of body part and handle part

- ① Remove the dirt around the mounting hole.
- ② Adjust appropriately the direction of the water outlet body so that the water outlet faces right forward and the To To sign faces right forward. Use the rubber gasket and fixing nut to fix it onto the wash basin or table top.
- ③ Place the handle pedestal and handle lever in the right direction. Fix the handle part by using fixing nuts after adjusting the valve bodies on the cold, hot water sides.

### △ Attention:

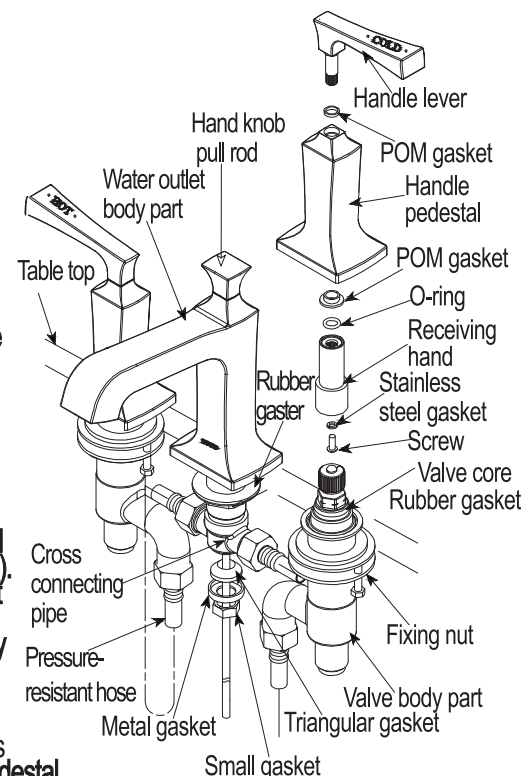
- a. As shown in the figure, when the other end of the pressure-resistant hose connects with the valve body, note that there is a gasket.
- b. When installing the valve body, first remove the handle pedestal part and then install as shown. Be sure to adjust the fixing nuts and screws at the lower end after fastening the handle pedestal onto the valve body to the maximum degree so that the valve body is fixed sufficiently.
- c. The C side label is installed on the cold water side (right side) and the H side label is installed on the hot water side (left side). Be sure to take the valve body with a slot on the ceramic valve core as the cold water side (right side) and the valve body with no slot as the cold water side (left side) (opposite in case of DL224A\*).

- ④ Install the handle part on the handle pedestal. Tighten the socket head screws

△ Attention: Do not reverse the handle pedestal (The side with a HOT marking is the hot water side and the side with a COLD marking is the cold water side).

- ⑤ Connect the pressure-resistant hose to the valve body as shown in the figure (users can adjust according to the actual situation).

△ Attention: Be sure to connect the pressure-resistant hose with a red line to the hot water side and connect the pressure-resistant hose with a blue line to the cold water side.



# Water nozzle installation

## DL225 series water tap

### Installation of body part and handle part (9)

- ① As shown in the figure, remove the fixing nuts and gaskets at the lower part of the body.
- ② Adjust the direction of the body so that it achieves the desired installation mode.
- ③ Then install the gaskets and fixing nuts on the body (Note sufficient tightening).
- ④ Adjust the decorative ring pedestal and fixing nut on the cold water side and hot water side respectively. Fix the valve bodies on the cold water side and hot water side.

#### △ Attention:

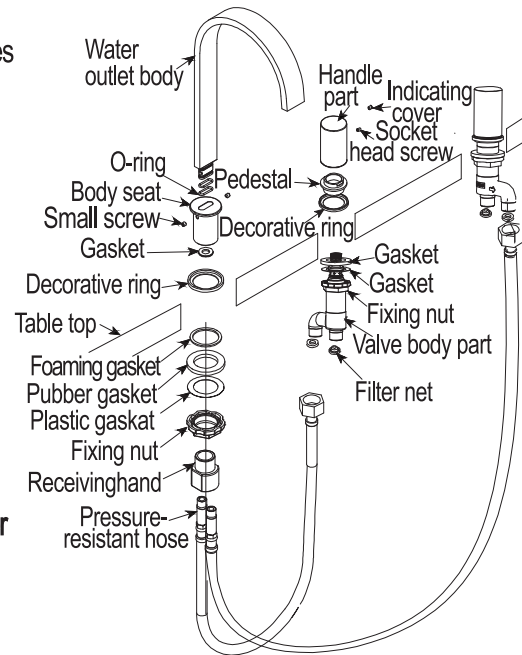
- a. As shown in the figure, when the pressure-resistant hose connects with the valve body, note that there is a gasket.
- b. When installing the valve body, first remove the decorative ring part and then install as shown. Be sure to adjust the fixing nuts and screws at the lower end after fastening the decorative ring onto the valve body to the maximum degree so that the valve body is fixed sufficiently.
- c. The C side label is installed on the cold water side (right side) and the H side label is installed on the hot water side (left side). Be sure to take the valve body with a slot on the ceramic valve core as the hot water side (left side) and the valve body with no slot as the cold water side (right side).

- ④ Install the handle on the pedestal. Tighten the socket head screws. Then install the indicating cover on the handle.

△ Attention: Do not reverse the handle pedestal (The side with a red marking is the hot water side and the side with a blue marking is the cold water side).

- ⑤ Connect the pressure-resistant hose to the valve body as shown in the figure (users can adjust according to the actual situation).

△ Attention: Be sure to connect the pressure-resistant hose with a red line to the hot water side and connect the pressure-resistant hose with a blue line to the cold water side.



# Water nozzle installation

## DL226 series water tap

### Installation of body part and handle part

- ① Remove the dirt around the mounting hole.
- ② Adjust appropriately the direction of the water outlet body so that the water outlet faces right forward. Use the horseshoe gasket and fixing nut to fix it onto the wash basin or table top.
- ③ Adjust the decorative ring pedestal part and fixing nut on the cold water side and hot water side respectively. Fix the valve bodies on the cold water side and hot water side.

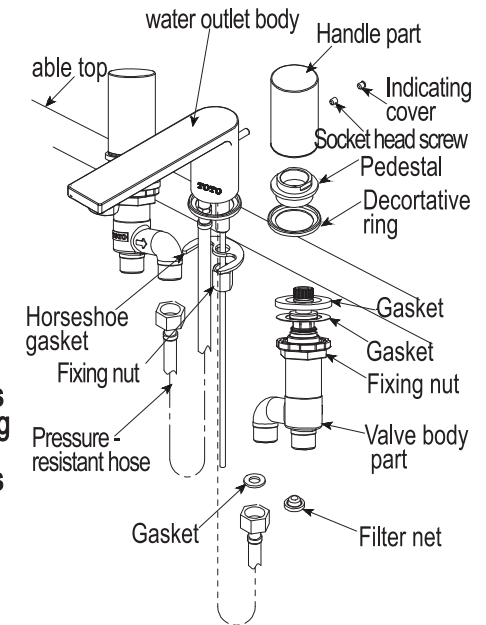
#### △ Attention:

- a. As shown in the figure, when the pressure-resistant hose connects with the valve body, note that there is a gasket.
- b. When installing the valve body, first remove the pedestal part and then install as shown. Be sure to adjust the fixing nuts and screws at the lower end after fastening the Pedestal onto the valve body to the maximum degree so that the valve body is fixed sufficiently.
- c. The C side label is installed on the cold water side (right side) and the H side label is installed on the hot water side (left side). Be sure to take the valve body with a slot on the ceramic valve core as the hot water side (left side) and the valve body with no slot as the cold water side (ring side).

- ④ Install the handle on the pedestal. Tighten the socket head screws. Then install the indicating cover on the handle.

△ Attention: Do not reverse the handle pedestal (The side with a red marking is the hot water side and the side with a blue marking is the cold water side).

- ⑤ Connect the pressure-resistant hose to the valve body as shown in the figure (users can adjust according to the actual situation).



△ Attention: Be sure to connect the pressure-resistant hose with a red line to the hot water side and connect the pressure-resistant hose with a blue line to the cold water side. Suggestion: In case of ceramic wash basin, the decorative ring needs to be installed; in case of marble table top, no decorative ring can be installed.



# Water nozzle installation

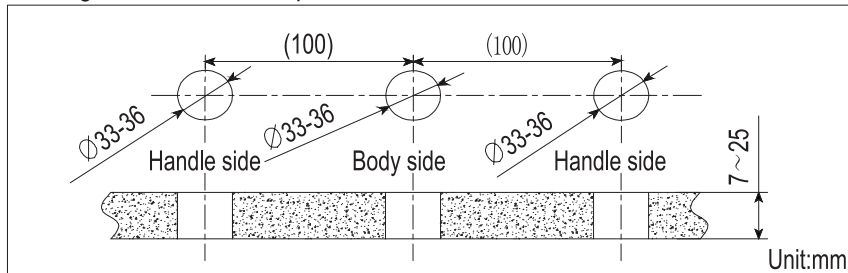
DL226-1、DL226-2 series water tap

1. Cleaning in the water supply pipe

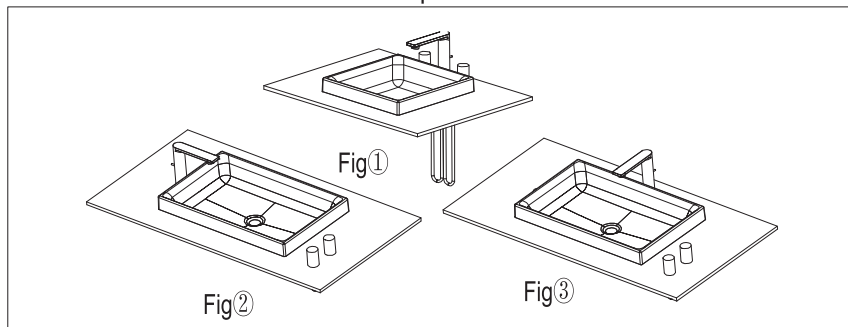
Before installation, be sure to remove by washing such foreign matters as dust, sand, etc. in the water supply pipe.

2. Hole setting

setting of marble table top hole



Installation mode on marble table top



When being installed on a marble table top, the installation is free for the products of this series.

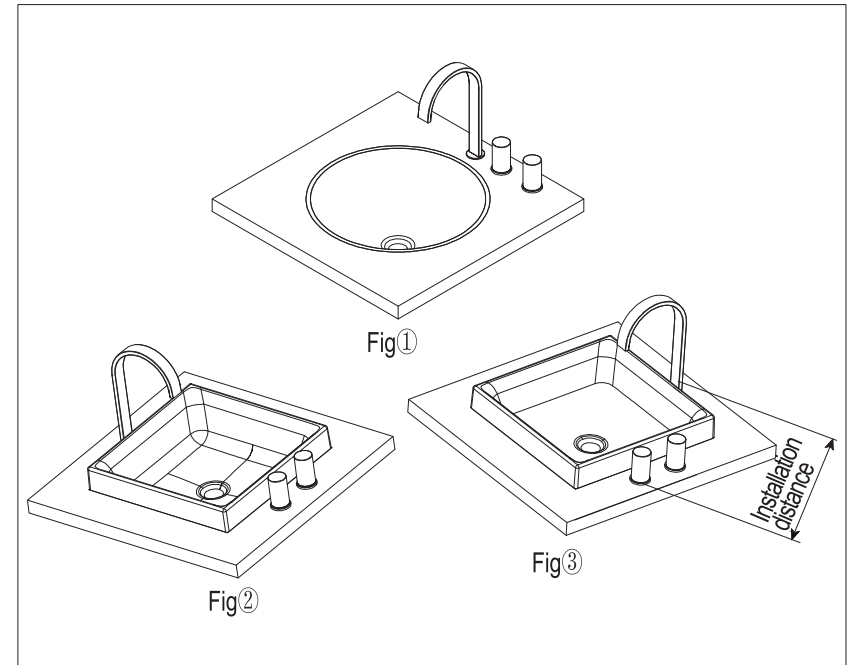
As shown in Fig. 1, the handle part and body part can be installed on a marble table top in parallel. The two handles are located on both sides of the body. The hole spacing is to be ensured at 100mm for the handle and body installed in this condition.

As shown in Figures 2 and 3, the handle part and body part can be installed on a marble table top at free positions. However, the two handles are to be arranged for installation longitudinally in a parallel direction along the wash basin side. The hole spacing for the two handles is 100mm. As the installation in this condition is limited by the length of the pressure-resistant hose, the installation hole spacing for the body and handle should be ensured within 630mm.

# Water nozzle installation

DL225 series water tap

1. Installation mode on marble table top



When being installed on a marble table top, the installation is free for the products of this series. As shown in Fig. 1, the handle part and body part can be installed on a marble table top in parallel. The hole spacing is 100mm.

As shown in Figures 2 and 3, the handle part and body part can be installed on a marble table top at free positions. As the installation of this condition is limited by the length of the pressure-resistant hose, the installation distance is to be ensured within 630mm.

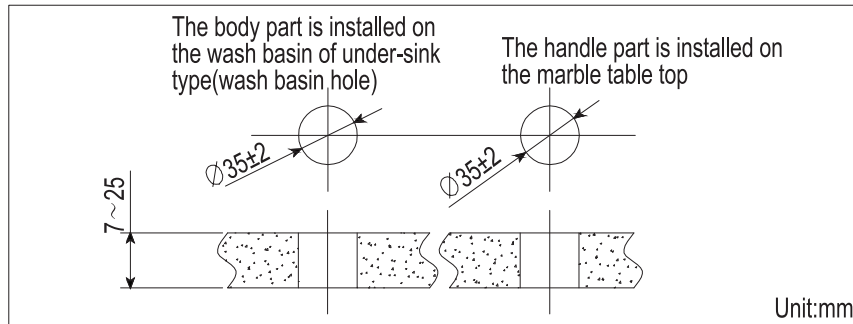
**△ Attention:** When being installed on a marble table top, the use of the product pedestal will be determined by customers. When this decorative ring is not used, customers just discard it themselves. Customers are requested to affix a foaming gasket on the body part to prevent water from seeping into the table top (a foaming gasket is provided).

# Water nozzle installation

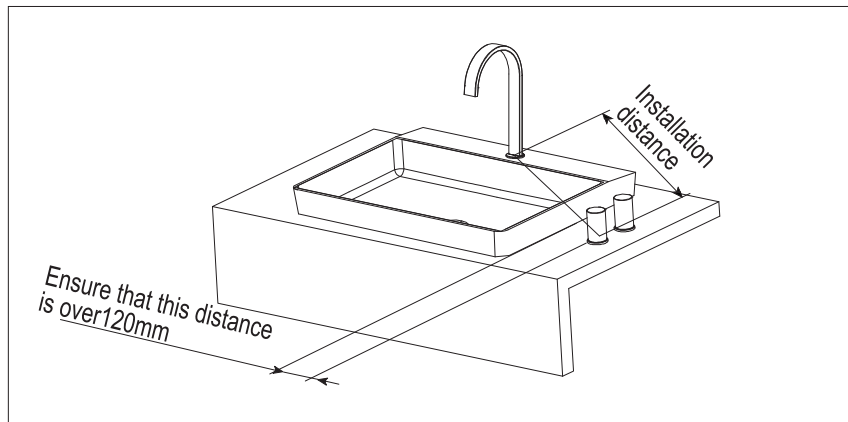
## 2.single-hole wash basin installation

The body part is installed on the single-hole wash basin. The handle part is installed on the marble table top.

Table top hole setting



## Installation mode

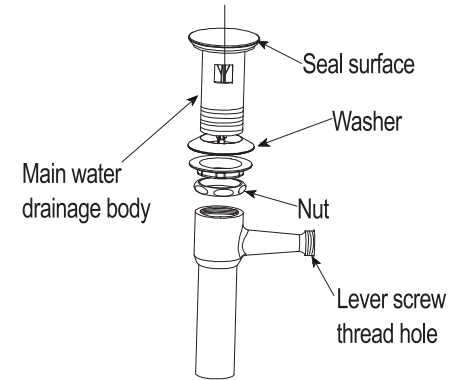


The installation mode as shown in the above figure only applies to DL225\*. As shown in the figure, the body part is installed on the wash basin. In this condition, a decorative ring must be installed in installation. The handle part can only be installed on a marble table top. When being installed on a marble table top, the handle can be installed at any position thereon. The installation distance must be ensured to be within 630mm.

# Water nozzle installation

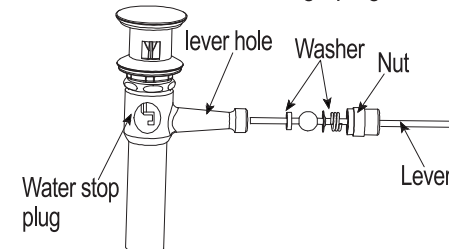
## Installation of water drainage fittings(example)

### ① Installation of main drainage body



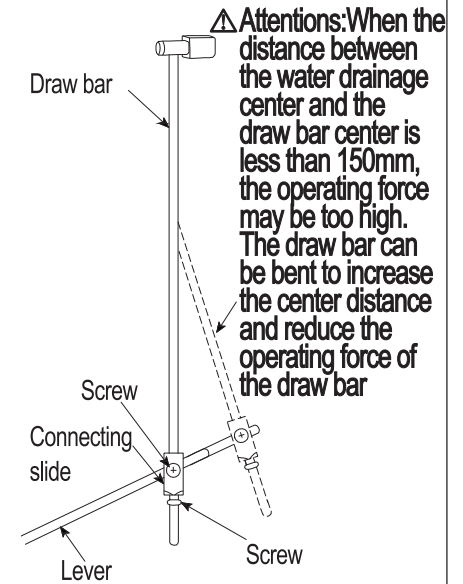
- Remove the water drainage head and seal ring from the main water drainage body.
- Then put the main water drainage body in from the lower side of the face basin.
- Combine the water drainage head and seal ring onto the main water drainage body from the upper side of the face basin.
- Adjust the direction of the screw hole to install the lever so that it faces right against the wall.
- Screw the nut to an appropriate position to avoid face basin being damaged

### ② Installation of water drainage plug



- Please pay attention to the direction of the water stop plug.
- Insert the lever through the lever hole into the water stop plug hole. Then screw tight the nut

### ③ Draw bar installation



- As shown in the diagram, first put the lever through the connecting slide. Then use connecting nut to secure the draw bar and connecting bar. Adjust the position of the connecting slide to make the lever and water stop plug be in an appropriate position and secure with screw.
- If the water stop plug can not rise and lower normally, customer is requested to adjust the position of the connecting slide on the connecting bar and lever by himself.

# Water nozzle installation

## Installation of water drainage fittings(example)

### ① Installation of main water drainage body (as shown in the figure)

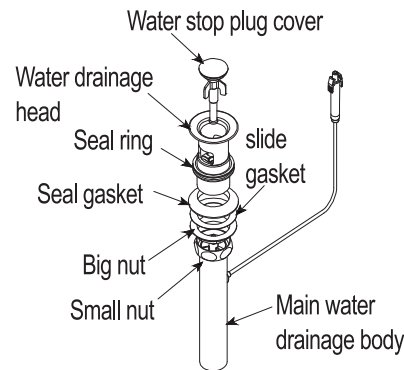
a. Remove the water drainage head and seal ring from the main water drainage body.

b. Put the water drainage head and seal ring in from the wash basin. Combine the following parts of the seal ring with the water drainage head form the underneath of the wash basin.

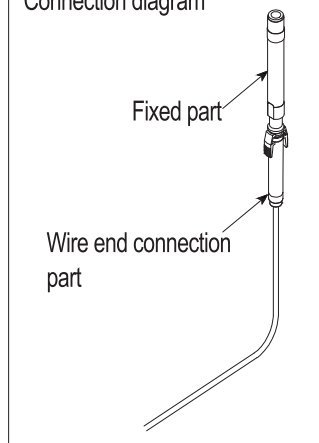
△ **Attentions: Be sure to tighten the big nut to prevent water leakage from the wash basin.**

c. Adjust the direction of the wire hole so that its front aligns with the fixed shaft in the figure. Tighten the small nut.

d. Put the water stop plug cover in the water drainage head.



Connection diagram



### ② Installation of connecting part(as shown)

a. The pull rod handle, pull rod and fixed shaft have been assembled on the body.

b. Customers just snap the connecting part of the wire end of the main water drainage body in the bottom of the fixed shaft.

c. This water drainage fitting is of spring type: press the pull rod handle, the water stop plug cover bounces; when pressing the pull rod handle again, the water stop plug cover goes down.

# Manufacturer and vendor

Applicable standard: GB 18145-2014、 GB 25501-2019

Product model number: See the label on the packing box

Product name: See the label on the packing box

Production date: See the label on the packing box

Assembly factory: TOTO(Dalian)Co.,Ltd.

Telephone: (0411)87624383

Factory address: 17 Dong Bei Second Street, Economic & Technical Development Zone, Dalian

TOTO(China)Co.,Ltd.

After-sale service toll free telephone all over the country:

800-820-9787 (fixed telephone)

400-820-9787 (for mobile phone users)

Vendor: TOTO(China)Co.,Ltd.

Address: Room 1915, North Building of Beijing Jiali Center, No.1, Guanghai Road, Chaoyang District, Beijing

Website: [www.toto.com.cn](http://www.toto.com.cn)