

TOTO

Wall-Mount Mixer/Valve + Box

TBG11303BA
(On/Off Switch)

TBG11304BA
(2-Way Diverter with off)

Univalve Box
TBN01001B

Univalve Box
TBN01001B



Comfort
Glide



Mini Unit

TBG11303BA
TBG11304BA

FEATURES

- Elegant appearance.
- Beautiful curves reveal elegant taste.
- Easy installation and usage.

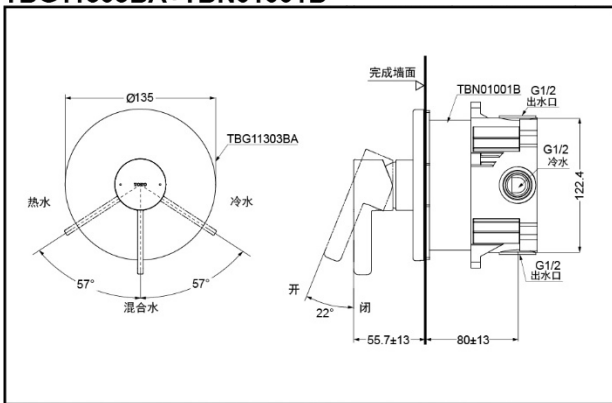
SPECIFICS

Water Inlet Requirement:
0.05MPa(Dynamic Pressure)~1.0MPa(Static Pressure)

Others

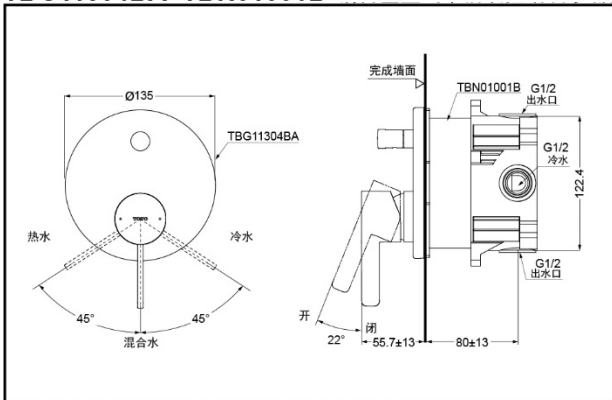
Series: GF
Recommend fittings :
G series Shower

TBG11303BA+TBN01001B Wall-Mount Mixer/Valve+Box



*TOTO(CHINA) CO.,LTD. All rights reserved.

TBG11304BA+TBN01001B Wall-Mount Mixer/Valve+Box



*TOTO(CHINA) CO.,LTD. All rights reserved.
TOTO(CHINA) CO.,LTD. www.toto.com.cn