

# TOTO

## Wall-Mount Mixer/Valve + Box

TBG10303BA  
(On/Off Switch)

TBG10304BA  
(2-Way Diverter with off)

Univalve Box  
TBN01001B

Univalve Box  
TBN01001B



Comfort  
Glide



Mini Unit

TBG10303BA  
TBG10304BA

### FEATURES

- Elegant appearance.
- Beautiful curves reveal elegant taste.
- Easy installation and usage.

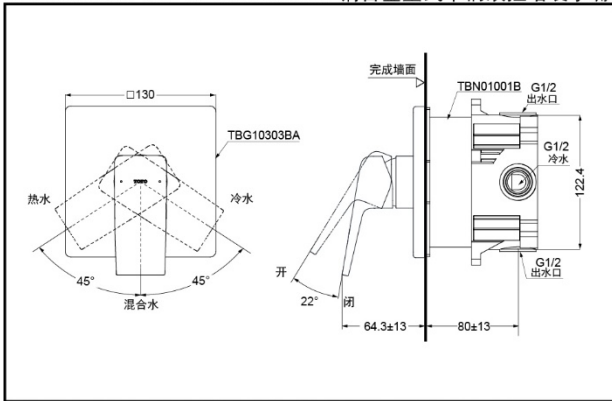
### SPECIFICS

**Water Inlet Requirement:**  
0.05MPa (Dynamic Pressure) ~ 1.0MPa (Static Pressure)

### Others

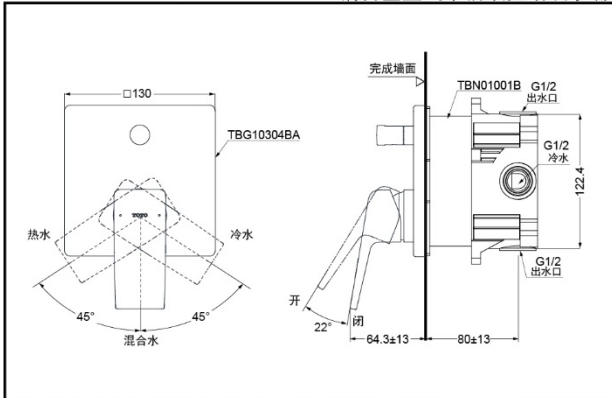
**Series:** GB  
**Recommend fittings:**  
G series Shower

TBG10303BA+TBN01001B Wall-Mount Mixer/Valve+Box



\*TOTO公司保留对其产品规格和尺寸更改的权利。同时，如未另行通知，TOTO(CHINA) CO.,LTD. All rights reserved.

TBG10304BA+TBN01001B Wall-Mount Mixer/Valve+Box



\*TOTO公司保留对其产品规格和尺寸更改的权利。同时，如未另行通知，TOTO(CHINA) CO.,LTD. All rights reserved.  
TOTO(CHINA) CO.,LTD. www.toto.com.cn