

TBP02303B+TBN01105B (Mounting fittings)



Comfort
Glide



Comfort
Wave

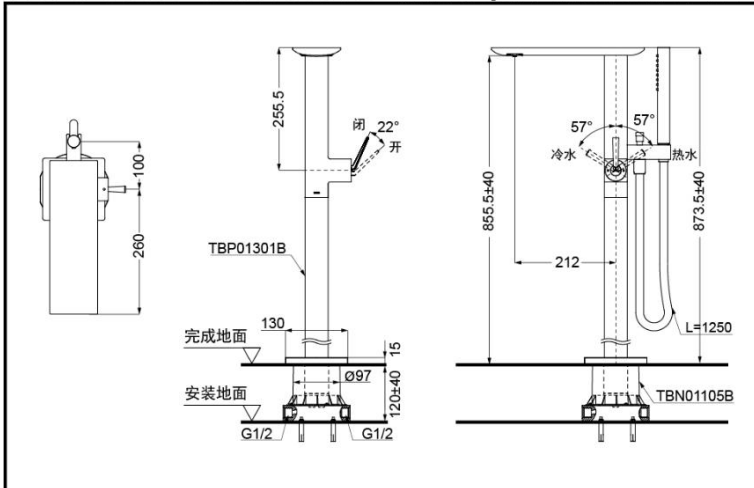
FEATURES

- Elegant appearance.
- Beautiful curves reveal elegant taste.
- Easy usage with sufficient flow.

SPECIFICS

Water Inlet Requirement:
0.05MPa(Dynamic Pressure)~
1.0MPa(Static Pressure)
Water Efficiency:
Grade2(Handshower)

TBP02303B+TBN01105B Floor standing Tub Filler(W/Hand Shower)



TOTO(CHINA) CO.,LTD. All rights reserved.

OTHERS

Series: ZL