

TBG01306C+TBN01105B (Mounting fittings)

TBG01306C



Active
Wave

FEATURES

- Elegant appearance.
- Beautiful curves reveal elegant taste.

SPECIFICS

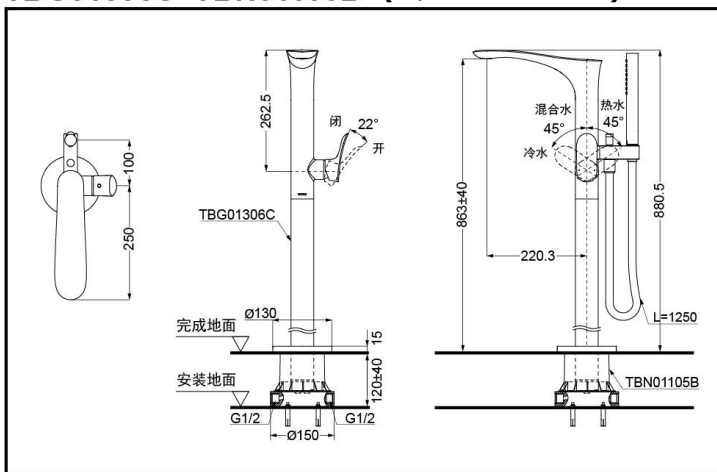
Water Inlet Requirement:
0.05MPa(Dynamic
Pressure)~1.0MPa(Static
Pressure)

Water Efficiency:
Grade3(Hand Shower)

Others

Series: GO

Floor standing Tub Filler
TBG01306C+TBN01105B (W/Hand Shower)



*TOTO(CHINA) CO.,LTD. All rights reserved.