

施工说明书 Installation Manual

安装产品前请仔细阅读本施工说明书，并保留备用。
Before installing the product, please read the Installation
Manual carefully and keep it for future reference.

TOTO

TOTO



安装完成后，本说明书务必交由客户保存。
After installation, the manual must be kept by the customer.

0G232G(B)
2023.07

目录

目 录

目录.....	1
明细单.....	2
使用条件与施工上的注意.....	3
施工上的注意与保养.....	4
安装完成图.....	5
水嘴的安装.....	6
生产厂家与销售商.....	7

TOTO Asia Oceania Pte. Ltd.

Telephone:65-6744-6955

FAX: 65-6841-0819

Address: 10 Eunos Road 8 #12-07 Singapore Post Centre
Singapore 408600

Website: asia.toto.com

TOTO KOREA LTD.

전화번호 : (02)-3141-8236

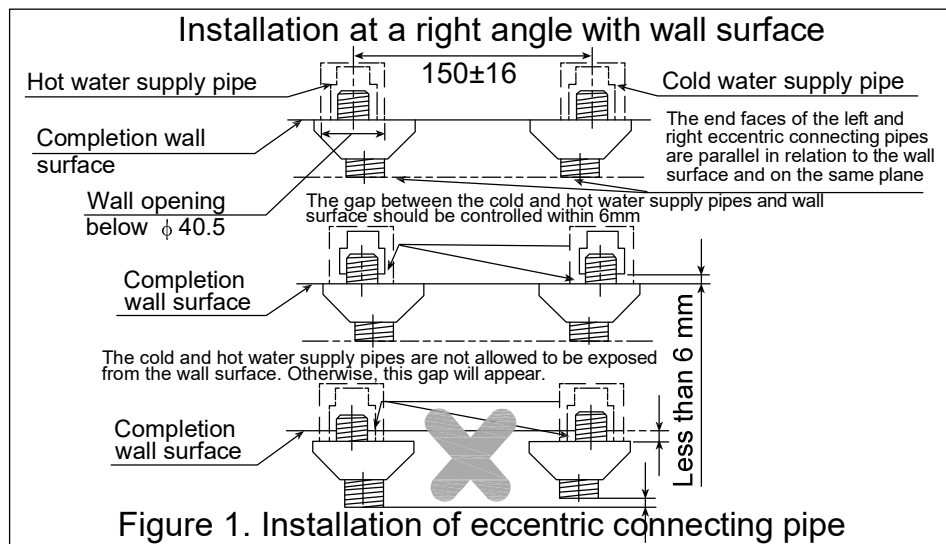
FAX 번호 : (02)-3141-8240

주소 : 서울시 마포구 상수동 351-16번지 로이코빌딩 3층

홈페이지 : <https://kr.toto.com/>

Faucets installation

1. Cleaning in water supply pipe
Before installing the faucets it is imperative to wash and flush out the dust, sand, etc. in the water supply pipe.
2. Faucets installation
 - (1) Apply thread sealant or wind sealing tape on the two eccentric connecting pipes and then screw in the cold and hot water supply pipes.
Attention: Adjust the two eccentric connecting pipes to make the center distance fall within $150\pm 16\text{mm}$ and keep the end faces of the two eccentric connecting pipes being parallel in relation to the wall surface and on the same plane; the distance from the cold and hot water supply pipes to the wall surface is controlled within 6mm without exposing from the wall surface. Otherwise, a gap or poor installation will occur to the faucets, as shown in the figure.
 - (2) Screw the decorating cover in the eccentric connecting pipe, being tightly close to the decorated wall.
Attention: To ensure that the decorating cover can cover the mounting hole completely after installation, please control properly the mounting hole opening dimension (below $\phi 40.5\text{mm}$ as recommended). Otherwise, the appearance effect may be affected.
 - (3) Put the filter gasket in the nut and connect the nut with the eccentric connecting pipe and tighten with a wrench.
Attention: a. In tightening the nut, confirm if the filter gasket has been put in the nut first.
b. Just tighten the nut to a degree with no water leakage. A gap may exist between the wall cover and nut.



明细单

明细单

水嘴主体	1套
偏心接管	2个
橡胶垫片	2个
装饰盖	2个
施工说明书	1本
使用说明书	1本

使用此明细单的产品包括:

TBS01302*
铜合金壁式单柄双控浴缸水嘴 (可转换)

TBS02302*
铜合金壁式单柄双控浴缸水嘴 (可转换)

TBS03302*
铜合金壁式单柄双控浴缸水嘴 (可转换)

TBS04302*
铜合金壁式单柄双控浴缸水嘴 (可转换)

使用条件与施工上的注意

使用条件

1. 供冷水*热水压力:
最低压力……………0.05MPa (流动压)
最高压力……………1.0MPa (静压)
推荐使用压力……………0.1~0.5MPa (流动压)
检测压力……………1.6MPa (静压)
2. 供水温度在4℃~90℃, 建议使用热水温度60℃, 供热水请勿使用蒸汽。
3. 使用环境温度0℃以上。如果低于0℃, 水嘴会出现变形、冻裂等现象。
4. 为防止花洒内部损坏, 配套花洒侧吐水温度不得超过60℃, 建议使用温度45℃以下。
5. 长时间不使用时, 可导致水嘴内部及外部锈蚀不能使用等现象。
6. 如果您需要废弃本产品, 请勿将其作为一般生活垃圾处理, 请依照法规经由独立的回收体系进行合适的处理、恢复和回收。
7. 本说明书中的产品具有清洗功能。

施工上的注意

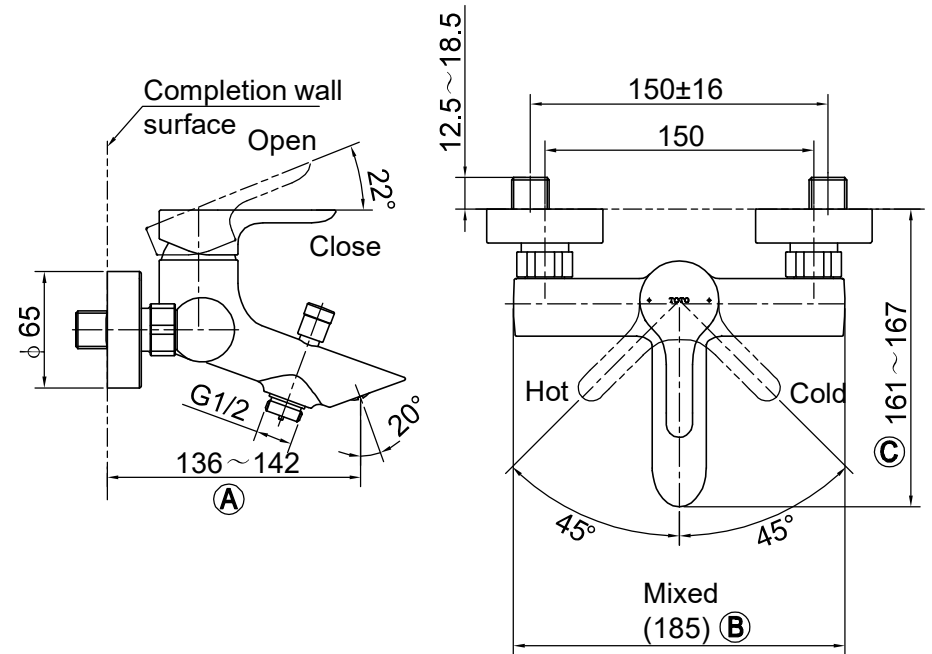
- ⚠ **警告** 表示如果无视此标志而误操作时, 有可能造成人员重伤或死亡。
- ⚠ **注意** 表示如果无视此标志而误操作时, 有可能造成人身伤害或财产损失。

⚠ 警告

1. 水嘴的供热水一侧处于高温状态, 请勿使皮肤直接接触五金配件表面, 否则可能会烫伤。
2. 请勿配反冷*热水配管, 否则可能会烫伤。
3. 供热水请勿使用蒸汽, 否则可能会烫伤。
4. 当直接从吐水口侧切换到淋浴器侧或从淋浴器侧切换到吐水口侧时, 水温会发生变化, 要用手测试水温后再使用, 否则可能会烫伤。
5. 花洒软管安装到切替阀时不可用力过猛, 会造成切替阀的破损。

Installation completion figure

Wall-mounted single-handle, double-control shower faucets in copper alloy (convertible)
Taking TBS01302* as an example



Note: The above dimensional unit is mm.
The dimension in () is reference dimension.

	TBS02302*	TBS03302*	TBS04302*
(A)	165~171	139~145	139~145
(B)	(185)	(185)	(185)
(C)	180~186	163.5~169.5	163.5~169.5

Attentions in construction and maintenance

⚠️ Attentions

- 1.As the ceramic cartridge is a precise component, do not dismantle it without authorization. Otherwise, such poor conditions as water leakage,etc. may be caused.
- 2.Do not impact the product. Otherwise, failure, water leakage may occur.
- 3.With the product design being updated constantly, the physical object may not coincide with the figure. However, the basic principle for installation,use is the same.
- 4.When using in places where frost damage may occur, anti-freezing measures must be taken.
The parts will be damaged due to frost damage, which may cause water leakage and property loss. Damages caused by frost damage are repaired for a fee even during the warranty period. Please ensure that the ambient temperature of the product is always above 0°C.

Anti-freezing measures

When using in places where frost damage may occur, anti-freezing measures must be taken.

1. The parts will be damaged due to frost damage, which may cause water leakage.
2. Damaged parts caused by frost damage are repaired for a fee even during the warranty period.
3. After the construction is completed or when it is not used for a long time, prepare to prevent sudden drop of temperature and prevent the product from frost damage.
4. Because of the risk of frost damage, please ensure that the ambient temperature of the product is always above 0°C.

Maintenance

To maintain a beautiful appearance of the product, the user is requested to conduct maintenance and care in the following method.

- 1.Wipe with a piece of soft cloth frequently and use a piece of soft cloth dipped in water to wipe from time to time.
- 2.When dirt exists obviously, please use water to wash sufficiently after wiping with a neutral detergent.

施工上的注意与保养

⚠️ 注意

- 1.由于陶瓷阀芯是较精密的部件，请勿擅自分解，否则可能会造成漏水等不良。
- 2.请勿撞击本产品，否则可能会造成故障、漏水。
- 3.随着产品式样的不断更新，实物存在与图示不符的情况，但基本安装、使用原理相同。
- 4.在可能结冰的场所使用时，要切实做好防冻措施。
由于结冰，零件破损，有可能导致漏水，造成财产损失。因结冰而造成的破损即使在保修期内也是有偿修理。请不要让产品的温度低于0°C。

防冻措施

在可能结冰的场所使用时，要切实做好防冻措施。

- 1.产品结冰的话零件损坏，成为漏水的原因。
- 2.因结冰造成的零件损坏即使在保修期内也是有偿修理。
- 3.施工完了后或长时间不使用时，要有预防突然降温的准备，要对产品进行结冰预防。
- 4.因为有结冰的危险，请不要让产品周围的温度在0°C以下。

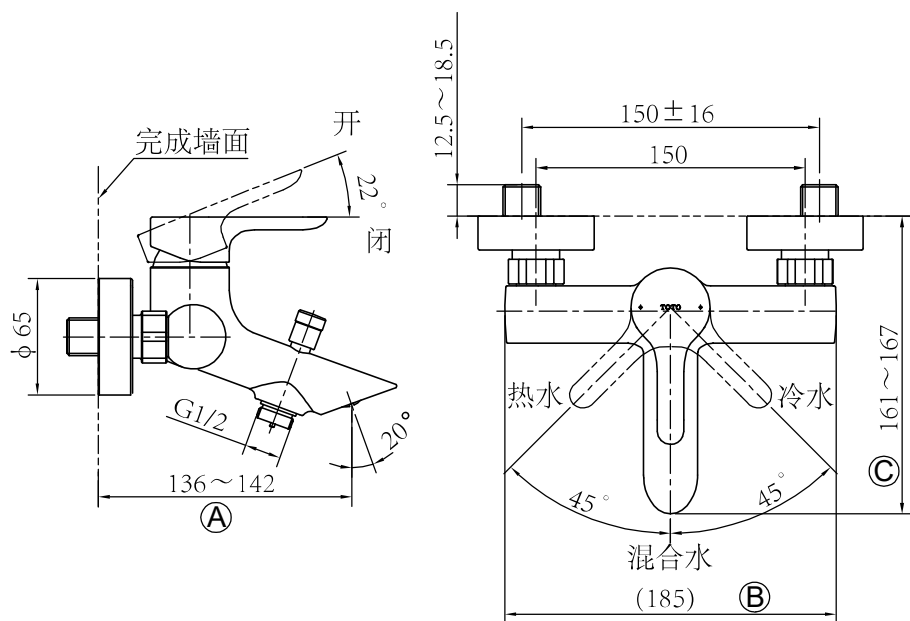
保养

为长期保持产品的美观，请用户按以下方法维护保养。

- 1.经常用软布擦拭或用软布蘸水擦拭。
- 2.当有污垢且较明显时，请用中性洗涤剂擦拭后充分进行水洗。

安装完成图

铜合金壁式单柄双控淋浴水嘴（可转换）
以TBS01302*为例



注：上記尺寸单位为mm；
()内尺寸为参考尺寸。

	TBS02302*	TBS03302*	TBS04302*
Ⓐ	165~171	139~145	139~145
Ⓑ	(185)	(185)	(185)
Ⓒ	180~186	163.5~169.5	163.5~169.5

Use condition and attentions in construction

Use condition

- Cold water supply*hot water supply pressure
Minimum pressure 0.05MPa (flow pressure)
Maximum pressure 1.0MPa (static pressure)
Recommended Operating pressure 0.1~0.5MPa (flow pressure)
Test pressure 1.6MPa (static pressure)
- The temperature for water supply is 4~90 °C. Recommended hot water temperature 60°C, Do not use steam to supply hot water.
- The ambient temperature for use is above 0 °C. If the ambient temperature is lower than 0°C, the faucets will deform and crack from freezing.
- To prevent internal sprinkler damage, the water outlet temperature on the sprinkler side shall not exceed 60°C. It is suggested to use a temperature below 45°C.
- Being out of use for a long time may result in internal and external rust to the faucets and being unable to be used.
- If you want to scrap this product, do not treat it as you do for general household garbage. Please follow relevant statutes to have it treated, recovered and collected appropriately by an independent recovery system.
- The product in these instructions has a cleaning function.

Attentions in construction

- ⚠ Warning: it means that ignoring this mark and misoperation may cause serious personal injury and death.
- ⚠ Attention: it means that ignoring this mark and misoperation may cause personal injury or property loss.

⚠ Warning

- The hot water supply side of the faucets is in a condition of high temperature. Do not allow skin to contact with the hardware surface directly. Otherwise, scalding may occur.
- Do not reverse the cold*hot water pipes. Otherwise scalding may occur.
- Do not use steam to supply hot water. Otherwise, scalding may occur.
- When switching directly from the water outlet side to the shower side or from the shower side to the water outlet side, the water temperature may change. Be sure to use after measuring the water temperature with hand. Otherwise, scalding may occur.
- Please note that excessive force may damage the diverter. Please do not install the diverter by excessive force.

Detailed list

Detailed list

Main body of faucets.....	1 set
Eccentric connecting pipe	2 pieces
Rubber gasket	2 pieces
Decorating cover.....	2 piece
Instructions for construction.....	1 copy
Instructions for operation.....	1 copy

The products using this detailed list include:

TBS01302* wall-mounted single-handle, double-control shower faucets in copper alloy (convertible)

TBS02302* wall-mounted single-handle, double-control shower faucets in copper alloy (convertible)

TBS03302* wall-mounted single-handle, double-control shower faucets in copper alloy (convertible)

TBS04302* wall-mounted single-handle, double-control shower faucets in copper alloy (convertible)

水嘴的安装

1.供水管内的清扫

水嘴安装前必须先将供水管内的尘埃、砂砾等完成洗净、冲出。

2.水嘴的安装

(1)在两个偏心接管涂上螺纹密封膏或缠绕密封胶带，然后旋入冷热供水管中。

注意：调节两个偏心接管，使其中心距离在 $150 \pm 16\text{mm}$ 范围内，并保证两偏心接管端面相对于壁面成平行，且在同一平面上；冷热供水管与墙面的距离控制在 6mm 以内，不能露出墙面，否则水嘴将出现间隙或安装不良，如图所示：

(2)将装饰盖旋入偏心接管，紧贴装修后的墙壁。

注意：为确保安装后装饰盖能完全盖住安装孔，请把握好安装孔的开孔尺寸（推荐在 $\phi 40.5\text{mm}$ 以下），否则可能影响外观效果。

(3)把橡胶垫片放入螺母内，将螺母与偏心接管连接，并用扳手拧紧。

注意：a.拧紧螺母时首先要确认过滤垫片是否已放入螺母内。

b.螺母拧紧不漏水即可，装饰盖和螺母之间可能有间隙。

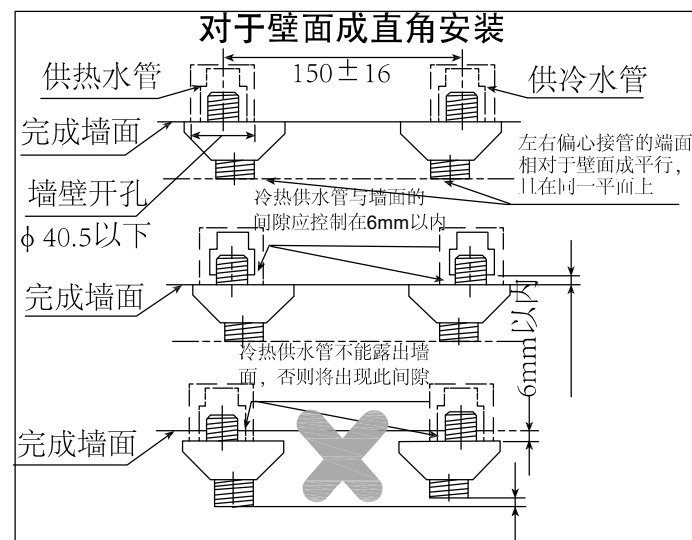


图1：偏心接管的安装

生产厂家与销售商

产品型号：见包装箱上的标签
产品名称：见包装箱上的标签
生产日期：见包装箱上的标签
组装工厂：东陶机器(广州)有限公司

厂 址：广州市番禺区南村镇兴南大道715号

东陶(中国)有限公司
全国售后服务电话：800-820-9787(固定电话)
400-820-9787(手机用户)



扫描二维码，
服务预约，方便快捷

销售商：东陶(中国)有限公司
地 址：北京市朝阳区光华路1号 北京嘉里中心北楼1915室
网 址：www.toto.com.cn

Contents

Contents

Contents	1
Detailed list	2
Use condition and attentions in construction.....	3
Attentions in construction and maintenance.....	4
Installation completion figure	5
Faucets installation	6