

WH173BT (系列)

WH172AT (系列)

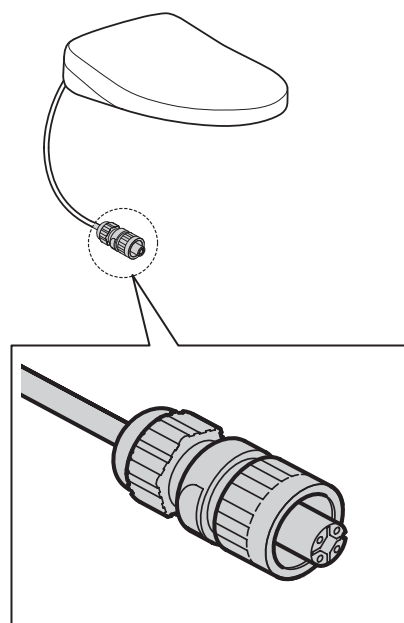
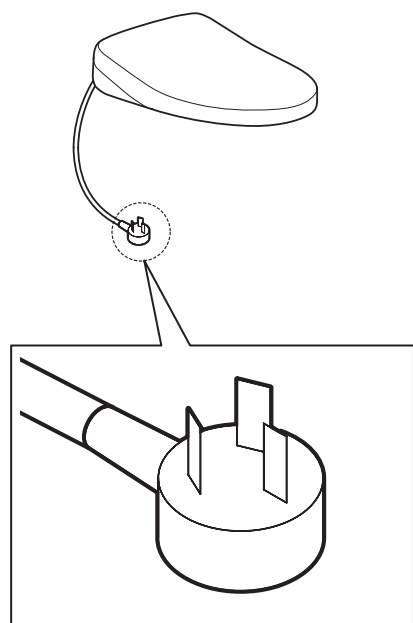
WH173BT series

WH172AT series

致施工人员的重要通知 Important Notice for Installers


因安装的卫洗丽不同，墙壁开孔位置有所差异。
关于详情请确认第12页。

The positions of the holes to drill in the wall vary depending on WASHLET being installed.
Please check page 12 for details.



注意事项 Cautions

 **提示:** 表示如果无视此标志而错误理解、操作时可能发生误解、危害人体及损坏物品的事件。

 **Caution:** Neglecting this sign may result in misunderstanding of the installation instructions, which can lead to injuries or damage to property.

重要提示:

1. 手动隐藏式水箱功能: 蓄水、进排水阀容器、壁挂式便器支架, 使用功能体现在手动隐藏式水箱工作面板说明书中;
2. 此说明书只提供手动隐藏式水箱安装相关内容。
3. 在澳大利亚地区安装时请遵循AS/NZS 3500系列标准或者当地标准。

Important:

1. Functions of the manual concealed cistern: storage water, inlet and outlet valve vessel, frame of wall-hung toilet, The function reflected in the manual actuator panel instructions.
2. This instruction manual only supports the installation of the manual concealed cistern.
3. For Australia, the installation has to be in accordance with AS/NZS 3500 series of Standards and/or local standards.

清洁、废物处理 Cleaning and waste disposal

- 1、请使用清水或稀释的中性清洁剂（如洗洁精等）擦拭和清洁水箱面板，杜绝用腐蚀性强的清洁剂（如：去污粉、涂料稀释剂、苯等）或铁丝球进行擦拭，以免腐蚀并破坏面板的美观。

Use water or dilute mild detergent (such as dishwashing detergent) to scrub and clean the surface, Never use strong corrosive detergent (such as cleanser, paint thinner, benzene and so on) or wire ball to scrub, and to avoid corroding the surface of the product.

- 2、如果您需要废弃本产品，请勿将其作为一般生活垃圾处理，请依照法规经由独立的回收体系进行合适的处理、恢复和回收。

Please dispose of this product in accordance to the local waste disposal laws and regulations.

目录 Table of contents

注意事项 Cautions	· · ·	P.2
简易故障判断及处理方式 Self diagnosis and troubleshooting	· · ·	P.3
安装说明 Installation instructions	· · ·	P.4
维修保养 Servicing procedures	· · ·	P.16

简易故障判断及处理方法 Self diagnosis and troubleshooting

! 温馨提示:

以下表格的问题点的处理方法中有注明（针对用户）的，用户可以参照自行解决。如果解决不了，严禁未经指定的非专业人士进行自行拆解和维修，需及时联系相应的专业人士解决，避免问题扩大化或产生不必要的麻烦和损失。

! Note:

Users may fix the problems on their own if the corrective action is to be taken by the user according to the chart below. Non-professionals are prohibited from disassembling and repairing the product. Please contact the relevant professionals for further troubleshooting to avoid aggravating the problem.

常见故障	原因	处理方法
水箱无法进水	1、入户总进水总阀未开启或停水。	1、打开进水总阀或联系物业解决（针对用户）
	2、水箱进水角阀未打开。	2、打开水箱进水角阀（针对专业人员）
	3、进水阀浮筒有异物卡住或进水阀传动构件使得浮筒无法正常下落。	3、检查进水阀并排除异物（针对专业人员）。
	4、排除以上原因，依然无法进水。	4、更换进水阀（针对专业人员）。
水箱有水不断流到马桶里	1、水箱出水口、排水阀底座周围有异物（砌墙时不小心掉进去的砂浆、小石块等），造成排水阀无法很好的密闭。	1、清理水箱内部的异物（针对专业人员）。
	2、面板调节螺杆外露部分偏长，面板装完后造成排水阀止水胶垫固定在某一位置上，无法密闭。	2、调整面板调节螺杆的位置（针对专业人员）。
	3、在水箱里面的面板调节螺杆偏长，顶到水箱内部的编织软管或其水箱箱体上，有时会无法回位。	3、剪短调节螺杆（针对专业人员）。

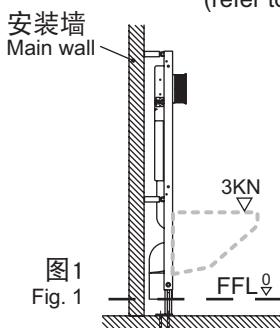
Common faults	Possible causes	Corrective actions
Water does not flow into the tank	1. Household water supply has not been turned on or has been cut off.	1. Turn on the household water supply or contact the relevant personnel (To be done by the user).
	2. Angle valve has not been turned on.	2. Turn on the angle valve (To be done by professionals only).
	3. Residuums in the inlet valve causing the float device to not operate properly.	3. Check the fill valve and remove the residuum (To be done by professionals only).
	4. None of the above.	4. Change the inlet valve (To be done by professionals only).
Water is constantly running into the bowl.	1. Flush valve seal is not completely closed due to residuums around the outlet of the cistern and flush valve (sand or debris lodged in during installation).	1. Remove the residuums in the cistern (To be done by professionals only).
	2. The exposed part of the panel's adjust screw is too long, which resulting the rubber of flush valve can not fixed in a certain position and can not sealed.	2. Adjust the position of the panel's screw (To be done by professionals only).
	3. The part of panel's adjusting screw in the cistern is too long, which may get stuck in the soft pipe or cistern body and unable to return sometimes.	3. To cut back the adjust screw (To be done by professionals only).

安装说明

INSTALLATION INSTRUCTION FOR MANUAL CONCEALED CISTERN

! 重要提示:

1. 安装前请仔细阅读说明书, 本公司不承担因安装人员未按说明书要求施工所造成的损失. 产品中包含润滑剂, 安装便器时选用.
2. 在支架安装前, 应先确认安装位置, 并根据室内装修的总体策划确定装修完成后的地坪面FFL, 在安装墙上划出FFL线, 并始终以此作为高度0的基准线. (见图1)



! Important:

1. Please read through this Instructions carefully prior to installation, and our company shall not be responsible for any loss caused by not installing according with this Instructions. Lubricants are provided for the installation.
2. Please confirm the FFL according to the overall indoor fitment method. Line out the FFL on the wall and always regard FFL as datum line of 0 height. (refer to Figure 1)

- ! 3. 在安装支架前, 请确认所安装墙壁是承重墙, 墙壁厚度在80mm以上, 且当300kgf以上的力施加于完工后的便器前端时, 墙壁应能承受这股拉力.

- ! 3. Please confirm the wall is the main wall, the thickness exceed 80mm and it can bear more than 300kgf strength when the strength act on the front of toilet bowl.

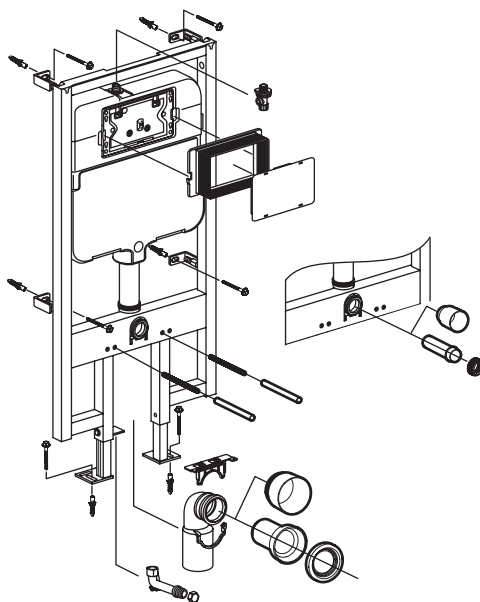
- 注: 1. 请在贴瓷砖前安装本产品; 所有的尺寸单位为毫米.
2. 图示零件若与实物不符, 请以实物为准.

- Note:** 1. Please install the frame before paving the tiles. The dimensional unit is millimeter.
2. As the parts images are for illustrative purposes only, please refer to the actual product if it varies from the parts images.

! FFL ∇ = 完成面地坪.

! FFL ∇ = FFL of finish face, all dimension is millimeter

配件一览表: Accessories List:



包装确认 Included Parts

仔细检查，确保包装中的配件齐全：

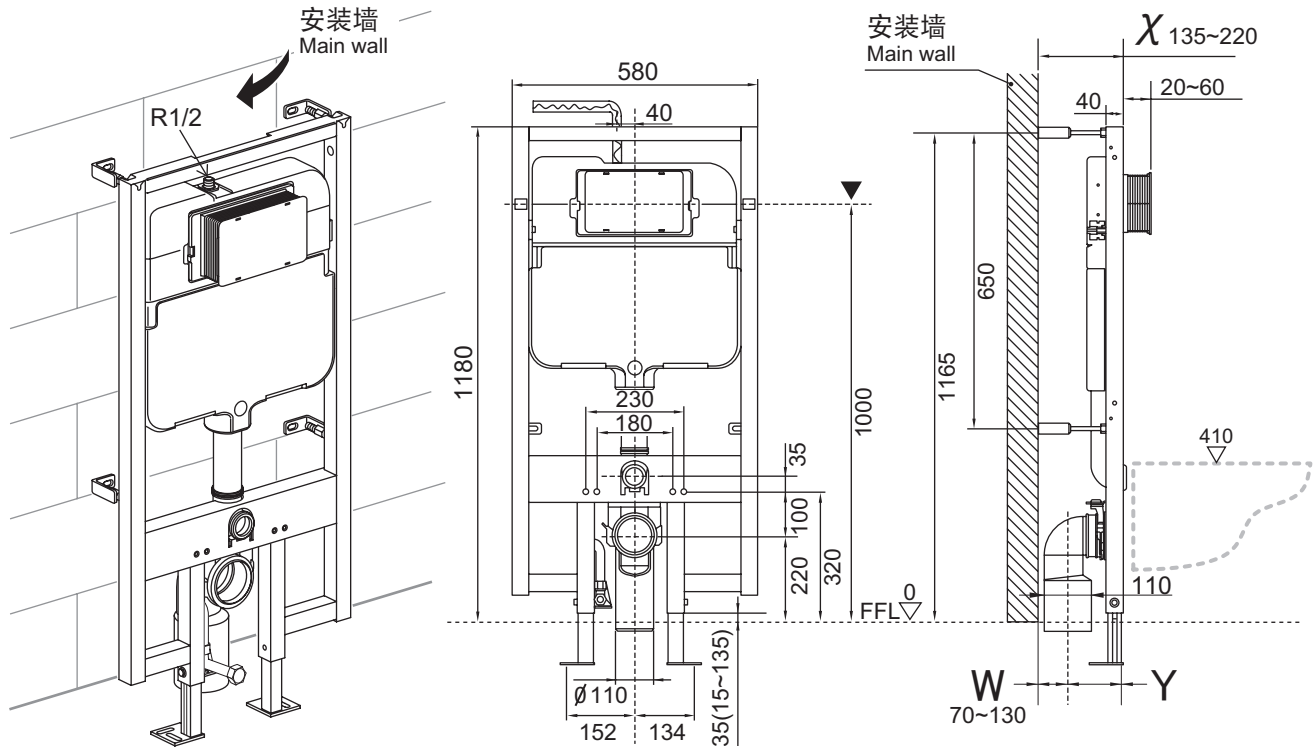
Check to make sure you have all these parts from the package:

<p>墙内水箱 (支架) In Wall Tank (Carrier)</p> 	<p>包装1中的配件 Parts in Bag 1</p>  <p>排水管 挡泥堵头 Outlet Pipe Mud Guard</p>  <p>进水管 挡泥堵头 Inlet Pipe Mud Guard</p>	 <p>安装说明书 Installation Manual</p>	
	 <p>预留推板 Push Plate Rough In</p>	 <p>定位片 Installation Template</p>	
<p>包装2中的配件 Parts in Bag 2</p>  <p>排水管 Outlet Pipe</p>  <p>上支架 Upper Bracket</p>  <p>螺钉 (6) Lag Screw (6)</p>  <p>螺纹柱 (2) Threaded Mounting Stud (2)</p>  <p>下支架 Lower Bracket</p>  <p>膨胀塞 (6) Anchor (6)</p>		<p>包装3中的配件 Parts in Bag 3</p>  <p>法兰管 Flange Pipe</p>  <p>密封套 Seal Gasket</p>  <p>进水管 Inlet Pipe</p>  <p>螺母 (2) Nut (2)</p>  <p>垫片 (2) Washer (2)</p>  <p>柱头螺栓法兰 (2) Stud Bolt Flange (2)</p>  <p>盖子 (2) Cap (2)</p>  <p>润滑海绵 Lubricated Sponge</p>	
 <p>螺栓 (4) Bolt (4)</p>  <p>螺栓 (4) Bolt (4)</p>  <p>螺母 (4) Nut (4)</p>		<p>包装4中的配件 Parts in Bag 4</p>  <p>墙脚固定块 Angle Fixture</p>  <p>进水角阀 Angle Valve</p>	
 <p>分岐管 Branch Pipe</p>		<p>包装5中的配件 Parts in Bag 5</p>  <p>堵头 Plug</p>  <p>螺栓 (3) Bolt (3)</p>	

安装前的注意事项 Before Installation

基本尺寸及供水管道铺设:

Dimensions and Supply Pipe-laying



X	W	Y	摆动45度* 45° swinging*
200~220	70~90	130	○
180~220	70~110	110	○
155~215	70~130	85	-
135~195	70~130	65	-

要求排水管中心到安装墙面的距离 (W) 在70~130之间。

Please make sure W is between 70 to 130.

* 参见第8页“安装方法”

* Refer to page 8 for Installation Procedure

安装方法 Installation procedure

符号和意思:

Symbols and their meanings



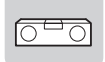
: 需要目视确认。
Visual confirmation required.

做标记
Mark



: 标识位置。
Mark the location.

水平确认
Horizontal



: 需要水平确认。
Horizontal confirmation required.

封胶带
Sealing Tape



: 请卷起封胶带。
Wrap the sealing tape.

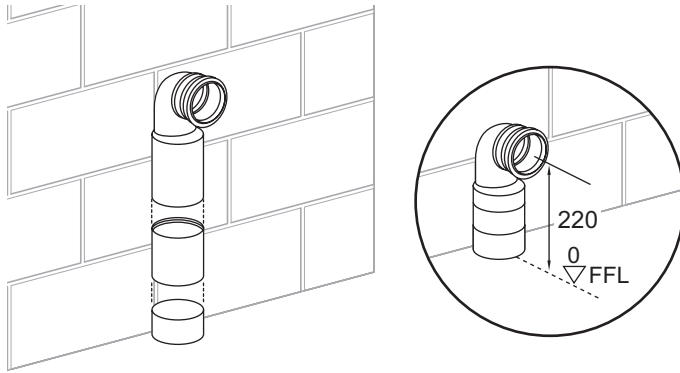
垂直确认
Vertical



: 需要垂直确认。
Vertical confirmation required.

安装方法 Installation procedure

1 安装排水管: Install the discharge pipe



2 安装墙脚固定块、调整地板固定支架: Install Angle Fixture and adjust floor-fixing bracket



水平确认
Horizontal



垂直确认
Vertical

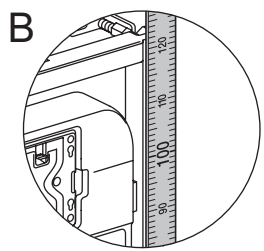
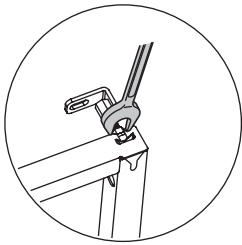
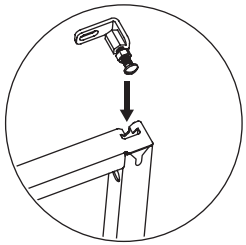


$x < 170$ 时螺栓长度为75mm
 $x < 170$: Bolt length of 75 mm

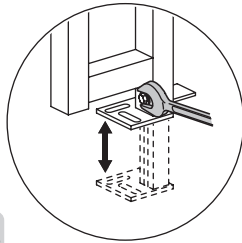


$x \geq 170$ 时螺栓长度为120mm
 $x \geq 170$: Bolt length of 120 mm

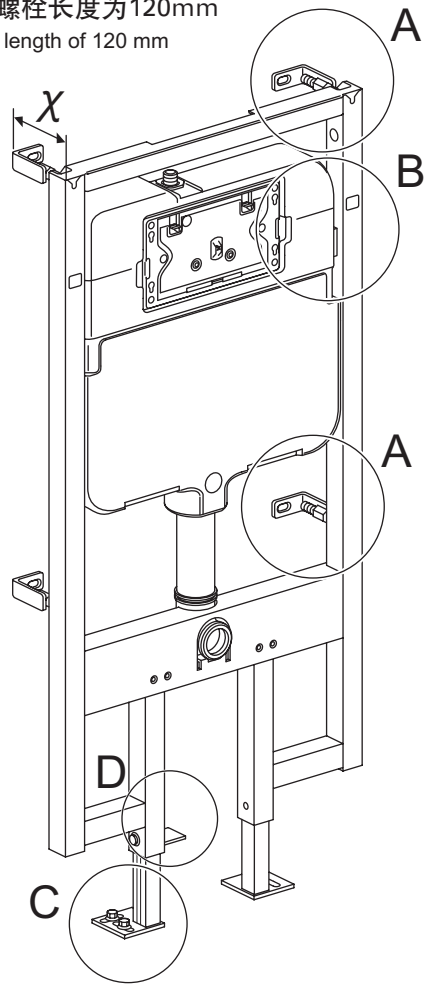
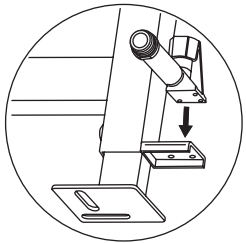
A 安装墙脚固定块。 Install Angle Fixture.



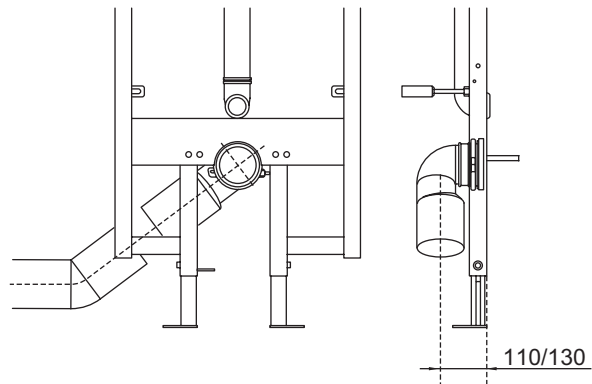
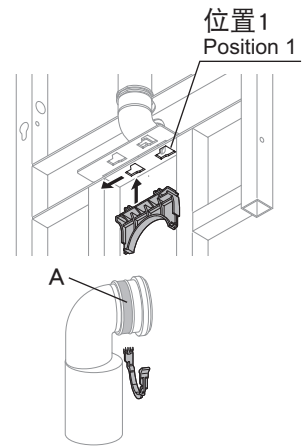
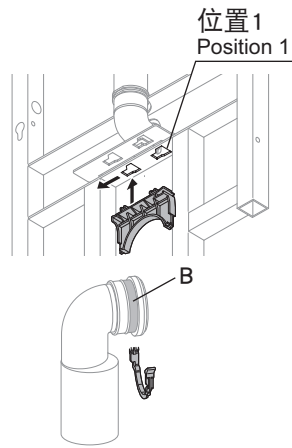
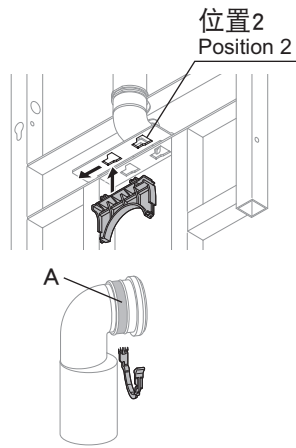
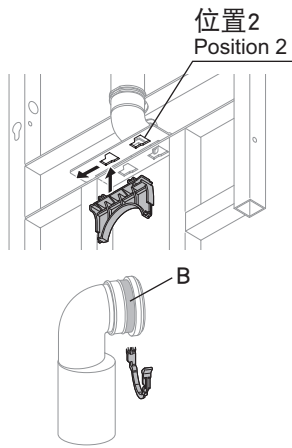
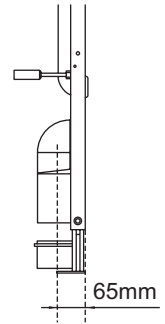
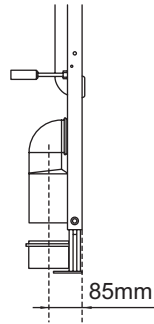
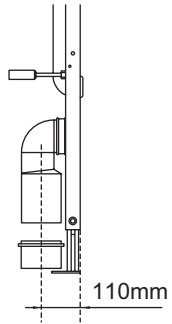
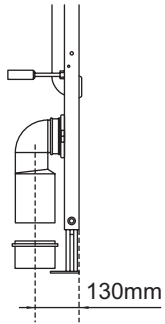
C 调整地板固定支架。 Adjust floor-fixing bracket.



D 安装分歧管。 Install the branch pipe.



3 安装上支架: Install the upper bracket

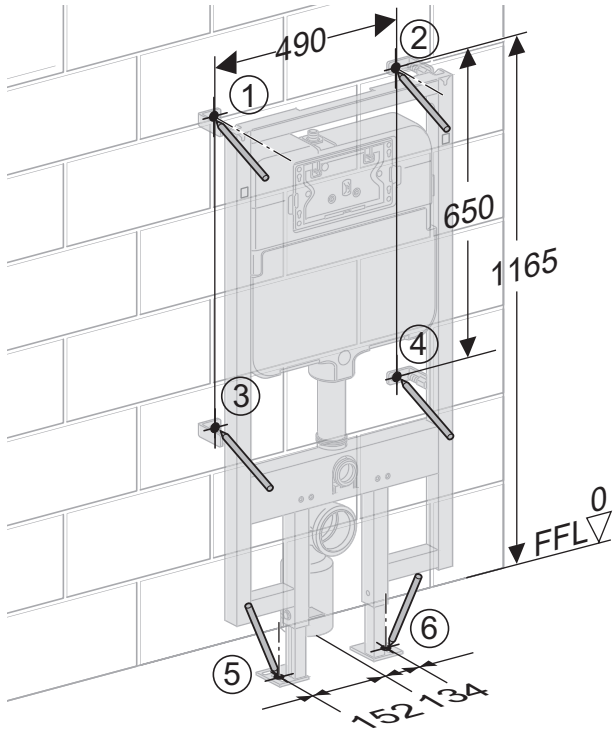


提示：排污管侧向安装角度一般不超过 45°，
否则很可能会影响排污效果。

Note: The drainage function may be affected when the installation
angle of drainage pipe exceed 45°

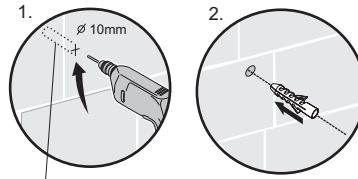
4 在主墙和地板上标记: (Ø10X深60)

Draw on the main wall and floor



5 膨胀螺栓的使用方法:

Install Anchors



深60mm
Depth 60 mm

步骤说明:

1. 钻孔 Ø10X深60;
2. 装入膨胀螺栓;

As shown on picture:

1. Drill Ø10*60;
2. Insert anchor;

6 调节支架的水平 and 垂直, 并锁紧螺栓:

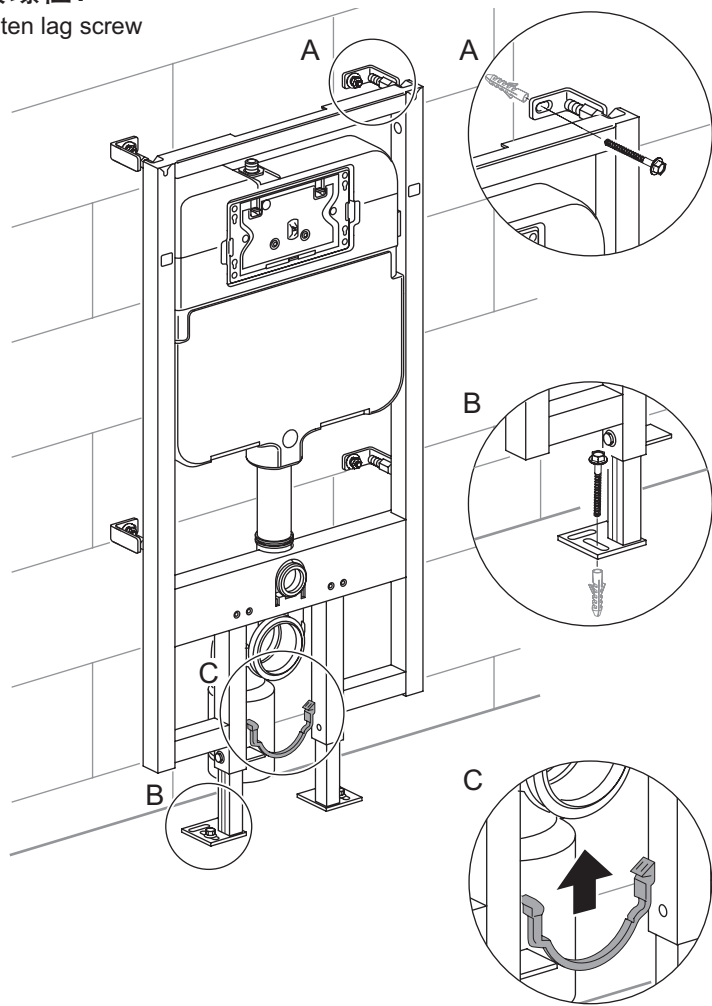
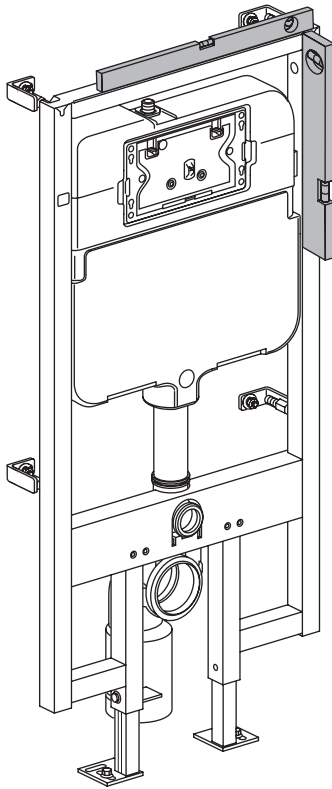
Adjust horizontally and vertically, and tighten lag screw



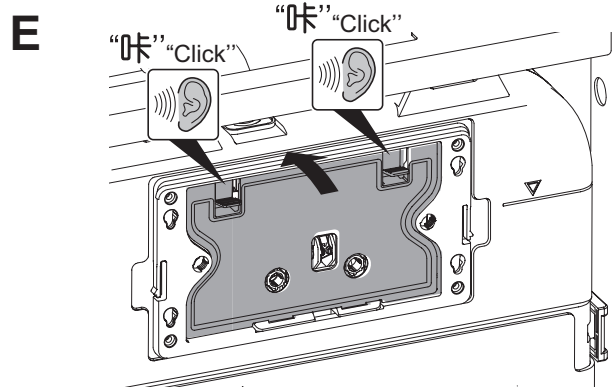
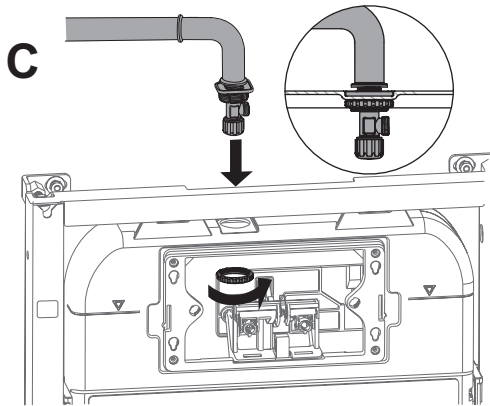
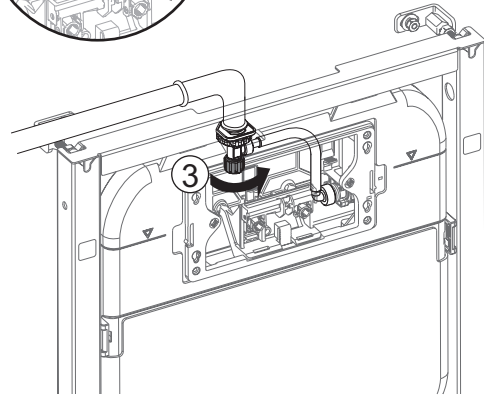
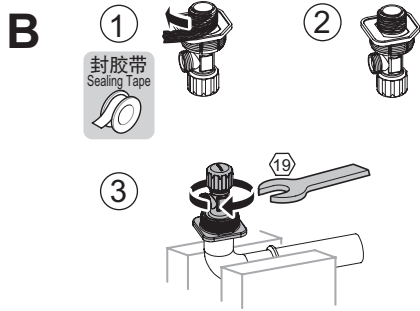
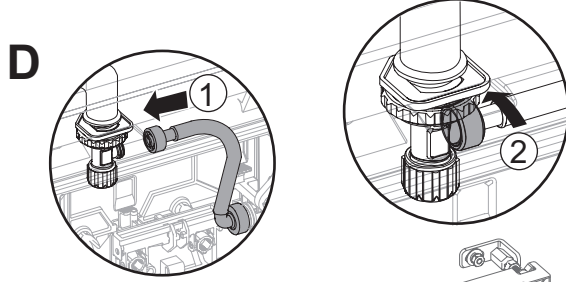
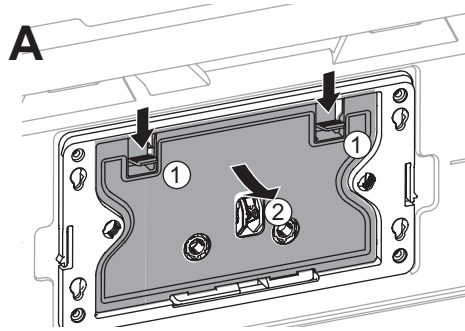
水平确认
Horizontal



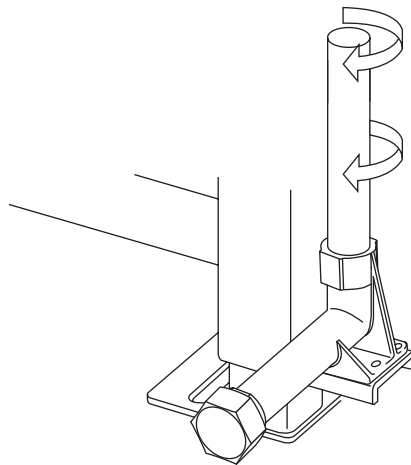
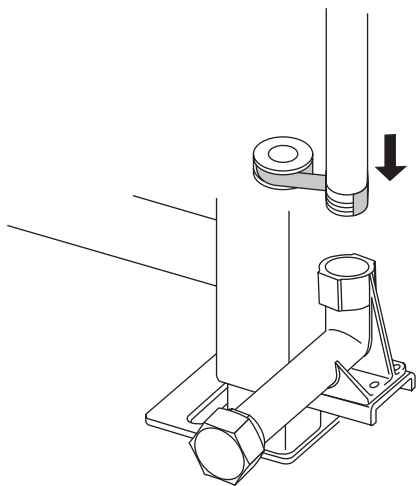
垂直确认
Vertical



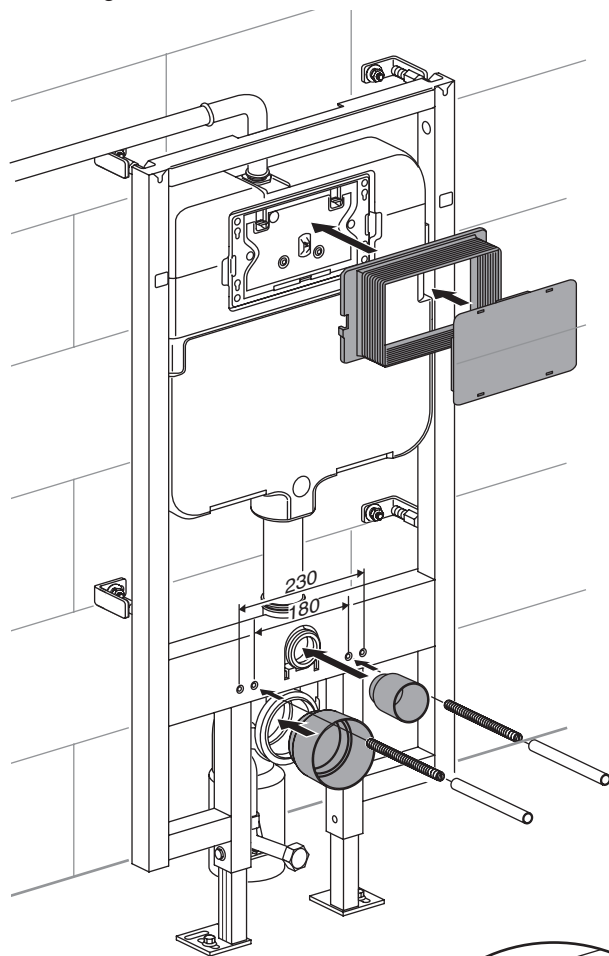
7 安装角阀： Install the Angle valve



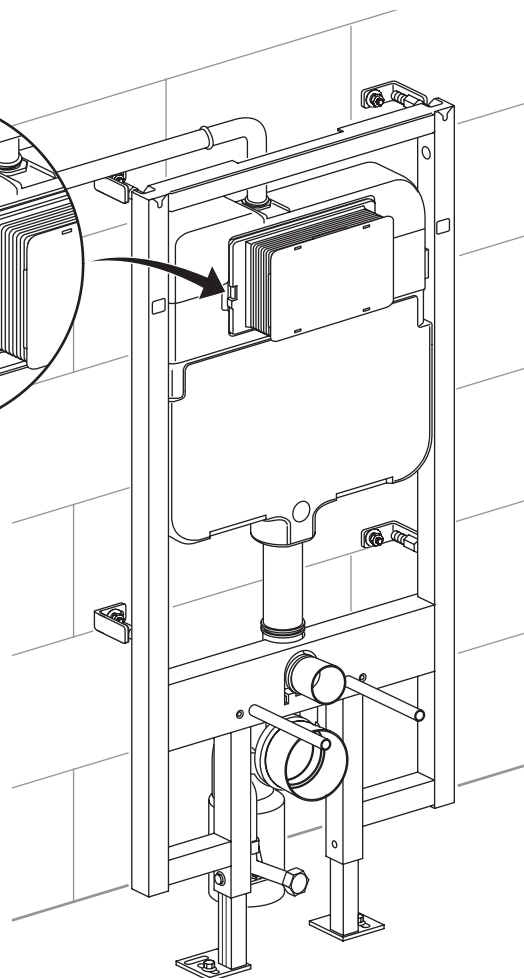
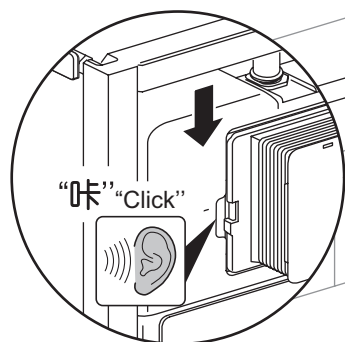
安装供水管 Install the water supply pipe



8 预留推板安装: Install Plug



- 注:
- ! 对于长螺杆的固定支撑上提供二组不同距离螺栓孔, 装配时, 请根据便器的尺寸进行选择安装.
 - ! For the fixing of the long screw, there are two groups of screw holes on the bracket which are of different distance. Please choose the right position according to the size of the toilet bowl.



完成示意图
Sketch of installed frame

! 重要提示: 在支架安装后砌墙前, 务必通水并放置12小时以上, 检查是否有渗漏现象。

! Important remind: When the concealed tank fixed completely, it is important to test leaking with water upon 12 hours before fixing wall.

9

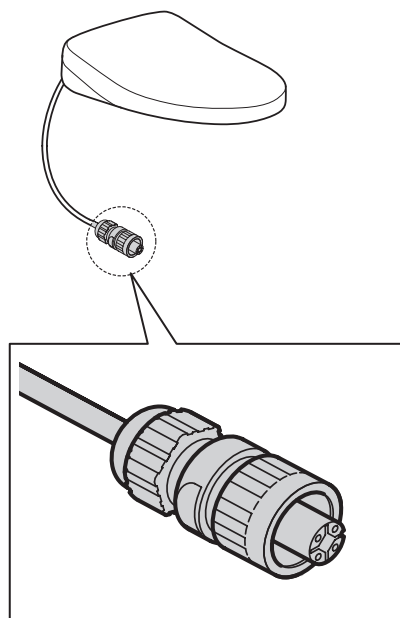


因安装的卫洗丽不同，墙壁开孔位置有所差异。

The positions of the holes to drill in the wall vary depending on WASHLET being installed.



如果是配有插座插头的卫洗丽，
请前往第13页。
For WASHLET with an attached outlet
plug, proceed to page 13.



如果是配有上述插头的卫洗丽，
请前往第14页。
For WASHLET with the above plug
attached, proceed to page 14.

9

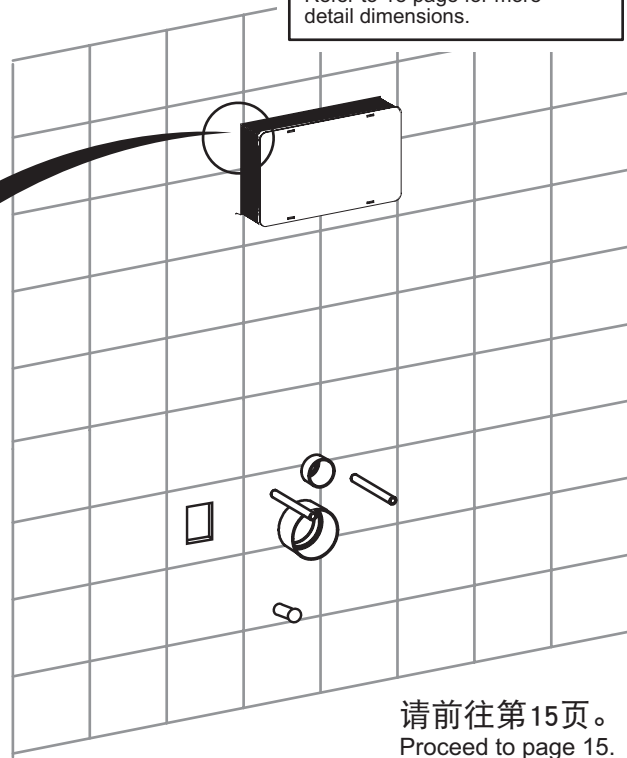
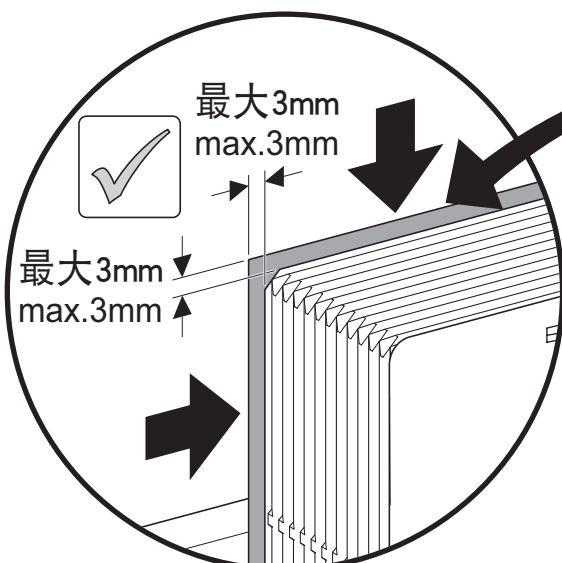
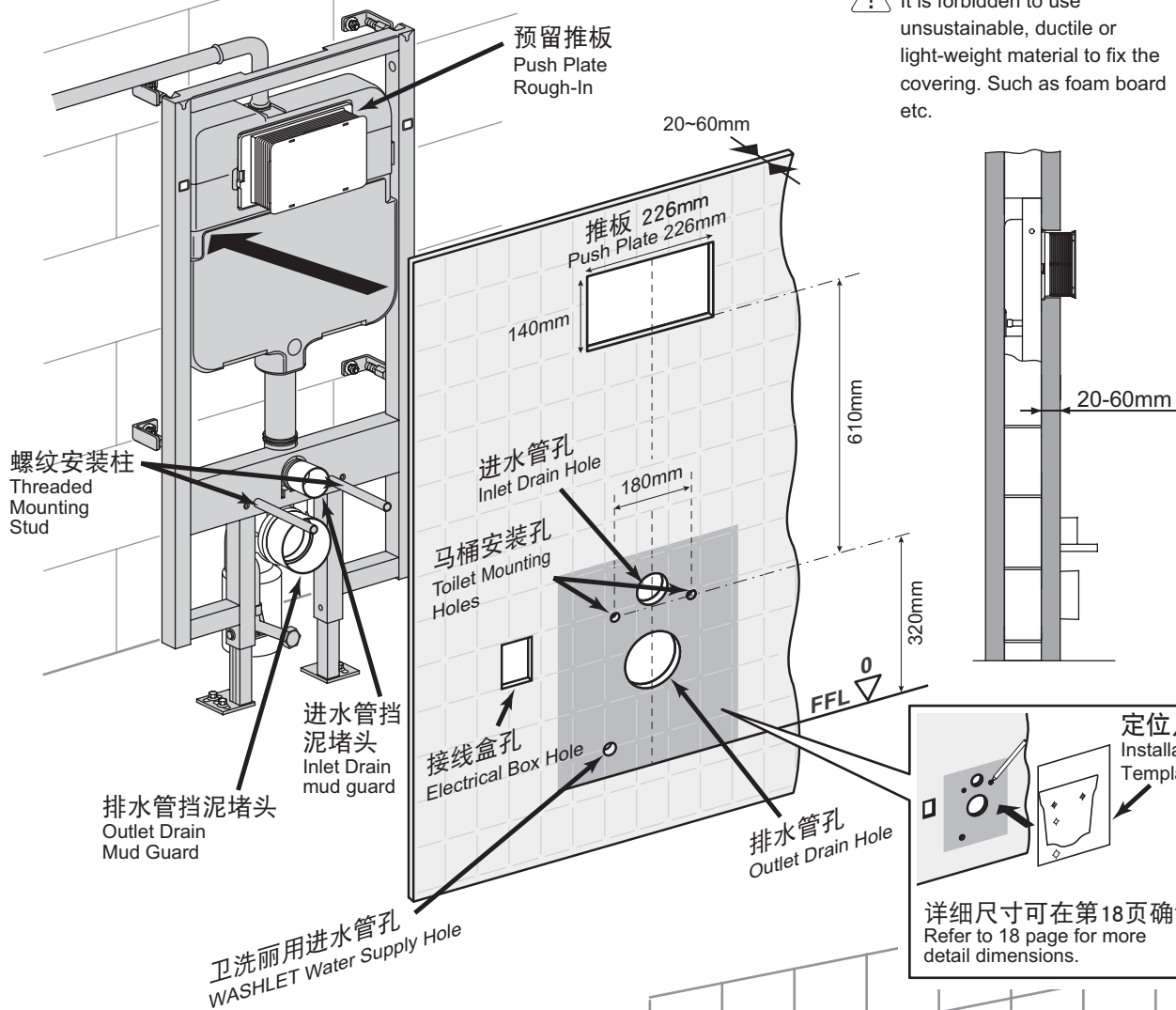
装修墙厚度范围20~60mm (从固定支架外面算起,到贴砖后完成面)

The thickness of fixed wall is 20~60mm
(measured from the front of frame to the finished tile surface)



注:
装修墙严禁使用轻质、
易变形、不承重材料,
如: 泡沫、石膏等.

! It is forbidden to use
unsustainable, ductile or
light-weight material to fix the
covering. Such as foam board
etc.

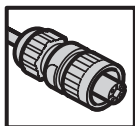


请前往第15页。
Proceed to page 15.

9

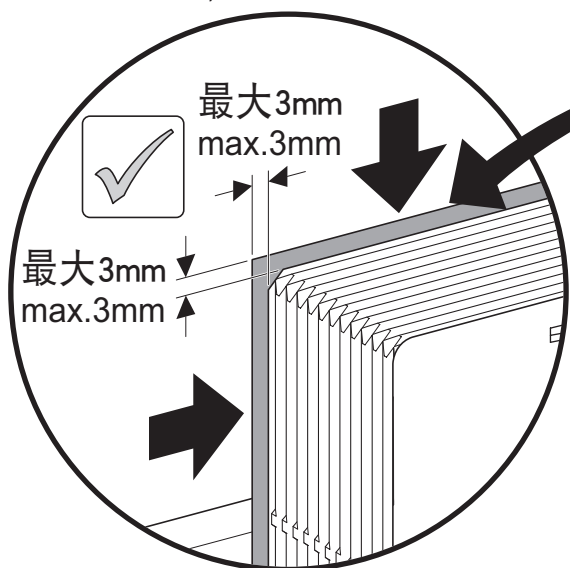
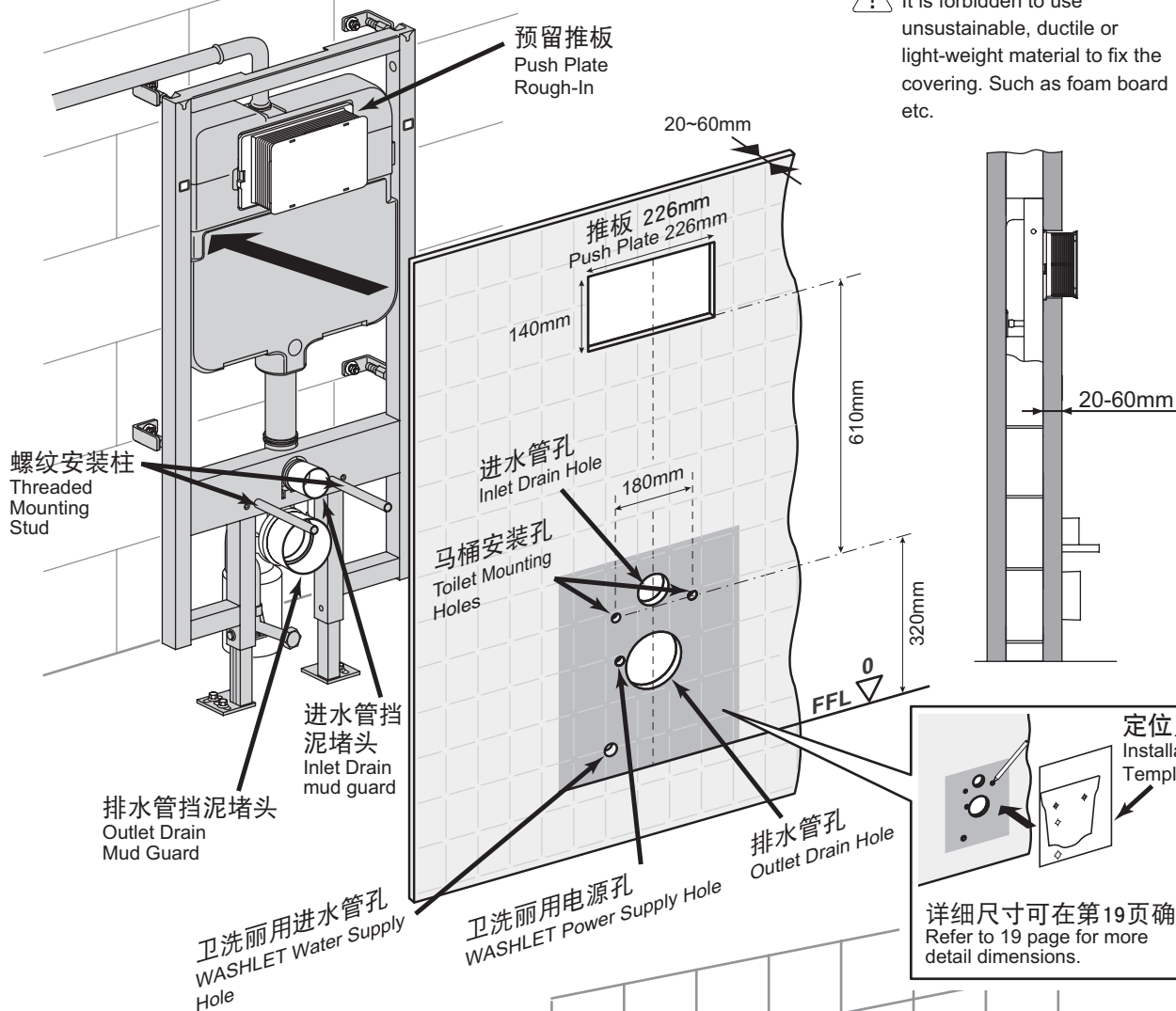
装修墙厚度范围20~60mm (从固定支架外面算起,到贴砖后完成面)

The thickness of fixed wall is 20~60mm
(measured from the front of frame to the finished tile surface)



注:
装修墙严禁使用轻质、
易变形、不承重材料,
如: 泡沫、石膏等。

It is forbidden to use
unsustainable, ductile or
light-weight material to fix the
covering. Such as foam board
etc.



在墙壁上涂覆砂浆或类似材料时, 请务必覆盖
电缆以避免将其固定。

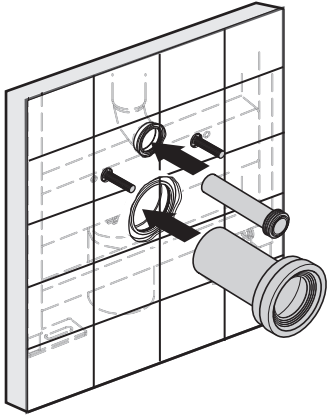
When working on the wall using mortar or the like, be sure
to cover the cable so that it is not fixed in place.

10

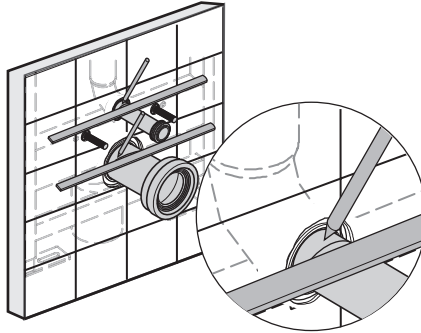
安装坐便器: Install the toilet



1.



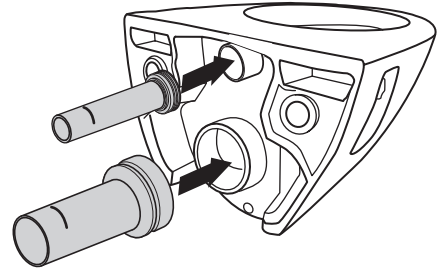
2.



将直管分别插入冲水管和排水管到
位,并画线标识.

Set Straight Pipes into Flush Bend and
Drain Bend properly, and marks lines.

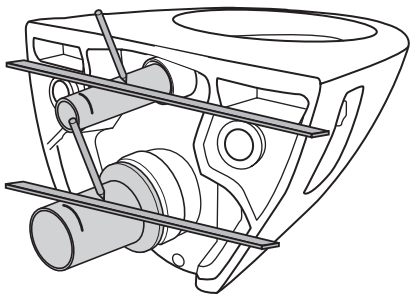
3.



分别在两根直管橡胶垫上抹上润滑
油,再插入便器.

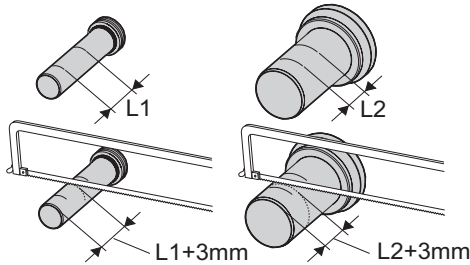
Add lubricant onto the Rubber Gaskets of
two Straight Pipes and set them into Bowl.

4.



如图画线标识.
Mark lines as shows.

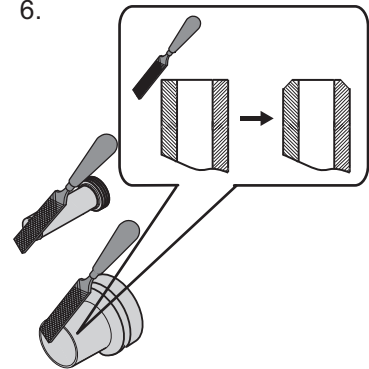
5.



冲水直管所画线标识之间L1;
排水直管所画线标识之间L2.
如图切割直管.

L1 is the distance of two marks on Flush
Pipe, and L2 is that of two marks on
Drainpipe
Straight Pipe.
Cut Straight Pipe just as shows.

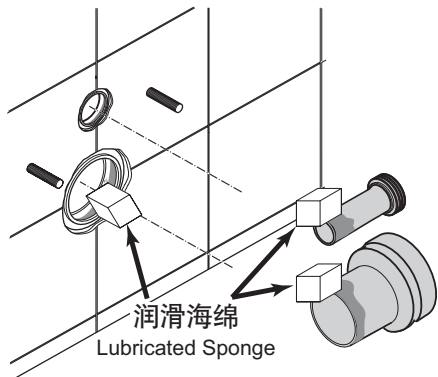
6.



将锯短的两管管口端面打磨倒
角(如图), 并去除毛边.

Chamfer and trim the cutting edges
on the shortened Straight pipes (as
shows).

7.



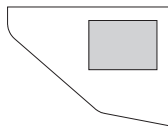
取出带有硅油海绵在直管与弯管的结合处
抹上硅油.

Take out the sponge with silicon oil and smear it on
connecting edges of Straight Pipe and Bends.

8.

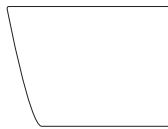
便器类型

Toilet bowl type



请进入步骤9.

Proceed to step 9.



请按照便器附带的施工说明书
进行安装.

Install according to the Installation
Guide enclosed with the toilet bowl.

9.

配件用于安装抽水马桶。请参
见抽水马桶安装手册。

The parts are used for installing toilet
bowl. Please see the installation
manual of toilet bowl.



螺母(2)
Nut (2)



垫片(2)
Washer (2)



柱头螺栓法兰(2)
Stud Bolt Flange (2)



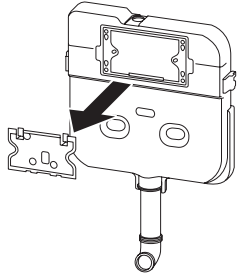
盖子(2)
Cap (2)

维修保养

Servicing procedures

更换冲水阀 Replacing the Flush Valve

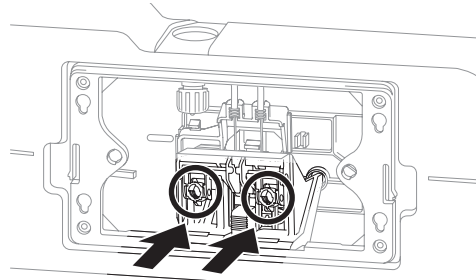
1.



拆下并拉出防溅罩。

Remove the splash guard and pull it out.

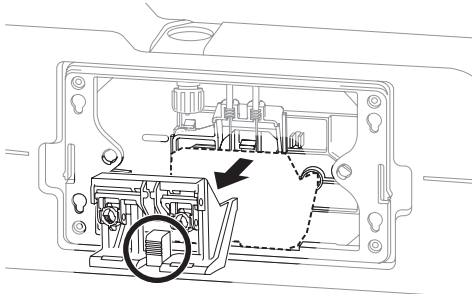
2.



关闭水箱中的进水角阀，然后按下驱动件上的按钮进行冲水。

Close the shutoff valve in the tank, and then push the button on the actuator to flush the water.

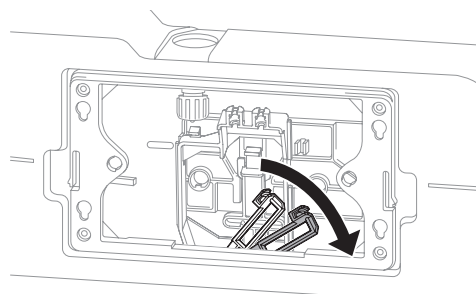
3.



按住拉手拆下驱动件。

Push on the tab to remove the actuator.

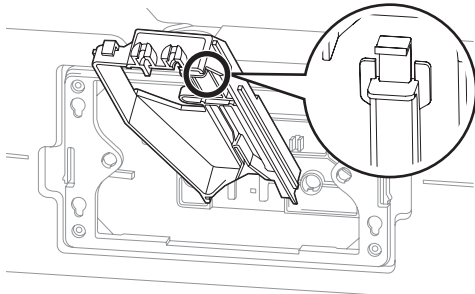
4.



将冲水阀的两根拉杆倾斜至右侧。

Tilt the two pull-up rods of the flush valve to the right.

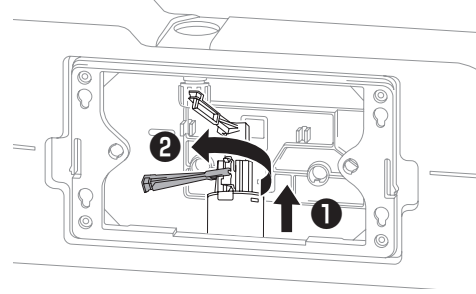
5.



拉紧图中所示拉手拆下压紧支架。

Remove the hold-down bracket by pulling on the tab indicated.

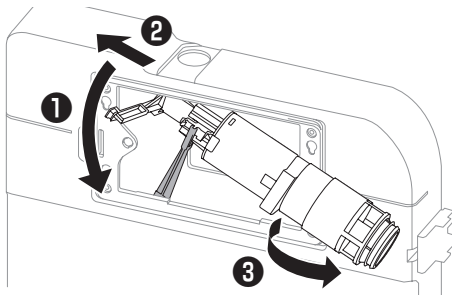
6.



拉起冲水阀，旋转拉杆。

Pull the flush valve up, and rotate the rods.

7.



拉出时旋转整个装置。

Rotate the whole unit as you pull it out.

8.

冲水阀另一端的橡胶件可以拆下进行清洁或更换。

At the other end of the flush valve, the rubber piece can be removed for cleaning or to be replaced.

9.

按照与上述相反的步骤操作，便能将零件安装回水箱。

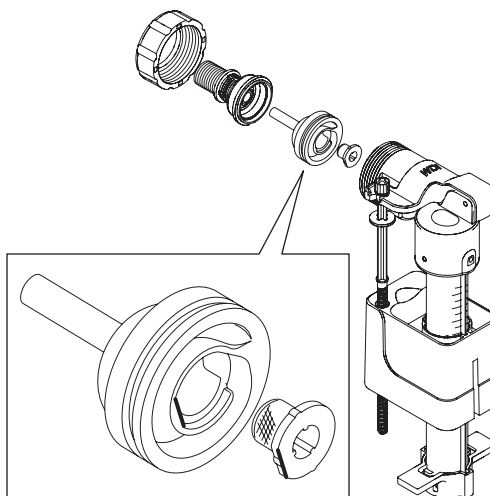
To install the parts back into the tank, do the reverse order.

清洁进水阀滤嘴

Cleaning the Filter of the Fill Valve

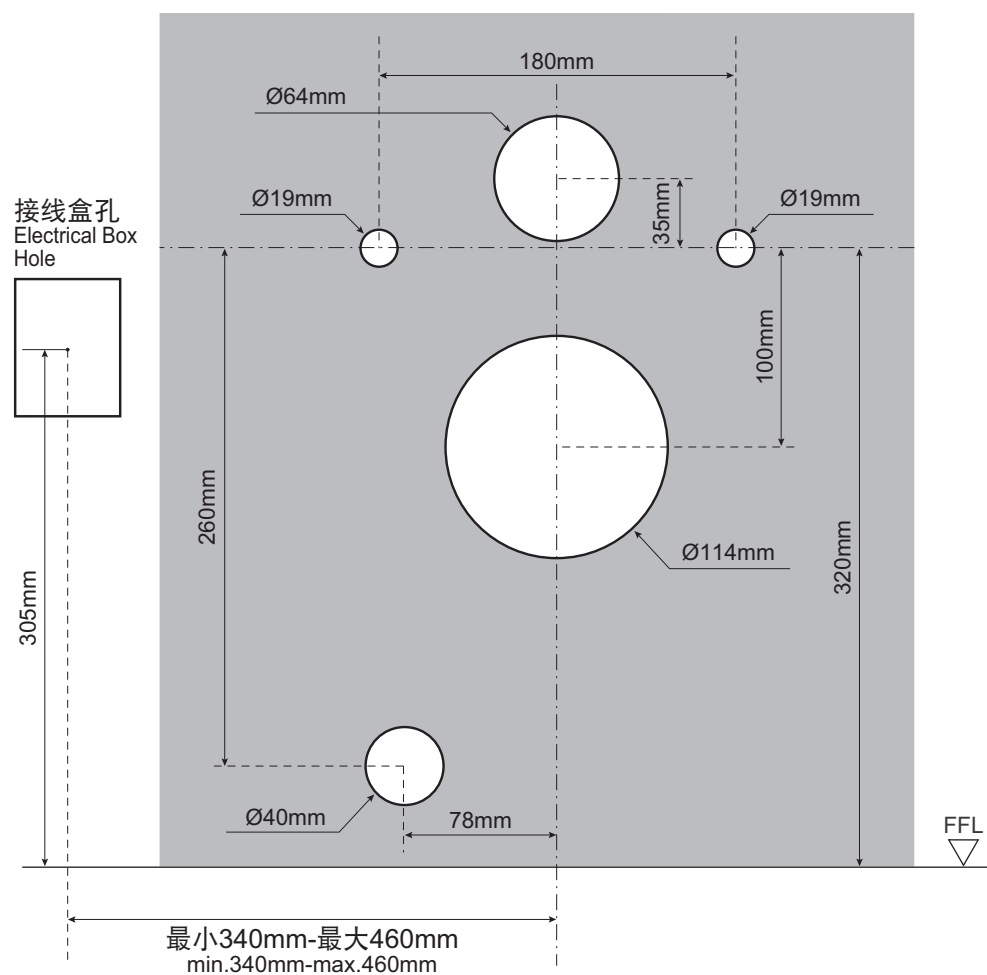
1. 按上述操作，关闭进水角阀，然后拆下进水阀。
2. 如图所示，拆开进水阀，然后用水清洗过滤网，或者用刷子清除污物。
3. 按照与上述相反的步骤操作，便能将进水阀安装回原来的位置。

1. Close the water shutoff valve, and then remove the fill valve as described above.
2. As shown in the figure, disassemble the fill valve, and then either clean the filter with water or use a brush to clean any dirt from it.
3. To install, follow the procedure in reverse to return the fill valve to its original position.



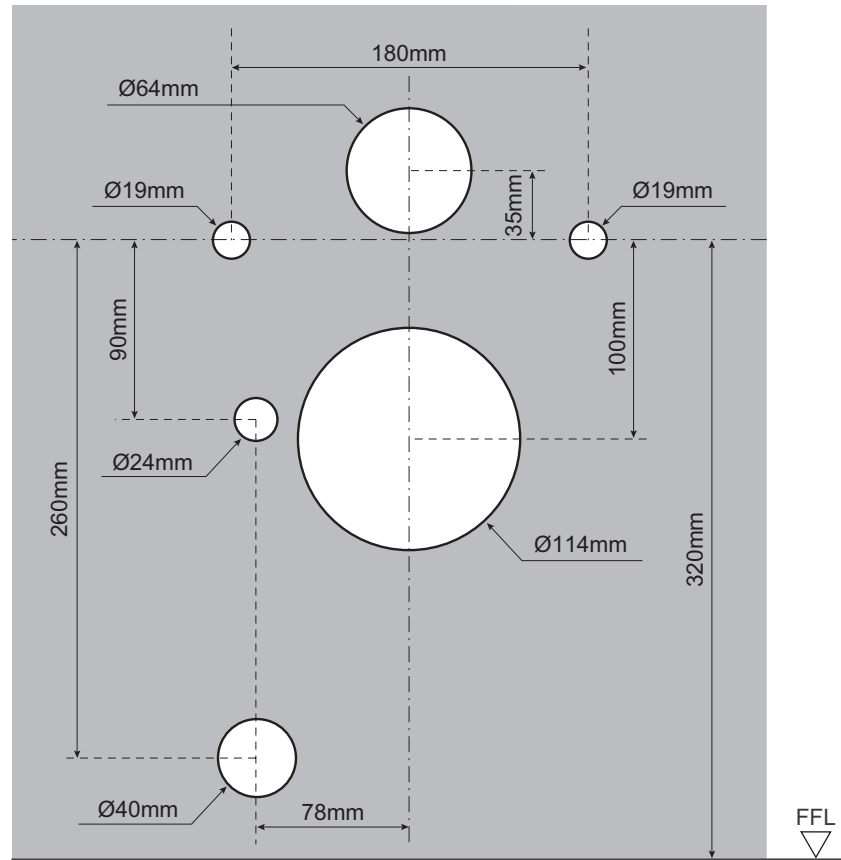
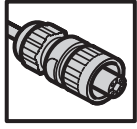
墙壁面板详细尺寸。

Detail dimensions for wall Panel.



墙壁面板详细尺寸。

Detail dimensions for wall Panel.



东陶（中国）有限公司
全国售后服务电话：800-820-9787
手机用户：400-820-9787

TOTO (CHINA) CO., LTD.
After Service Free Tel: 800-820-9787
Mobile telephone:400-820-9787

扫描二维码，
服务预约，方便快捷



制造商：厦门和利多卫浴科技有限公司
地址：厦门海沧区霞飞东路2号

CONSTRUCTOR: VORETO (XIAMEN) PLUMBING
TECHNOLOGY CO.,LTD.
Add: No.2, Xiafei East Road, Haicang District, Xiamen

TOTO (H.K.)LTD. RM.1101, 11/F No.3 Lockhart Rd. Wanchai, Hong Kong
Phone : 852-2861-3177 / Fax : 852-2861-3563

**TOTO ASIA OCEANIA
PTE. LTD.** 10, Eunos Road 8, #12-07, Singapore Post Centre. Singapore 408600.
Phone : +65-6744-6955 Fax : +65-6841-0819 <http://asia.toto.com/>

**TOTO ASIA OCEANIA
PTE. LTD.** Middle East Branch LOB19-1701-1702, Jebel Ali Free Zone, P.O. box 261804, Dubai U.A.E.
Phone : +971-4-886-5983 Fax : +971-4-886-5986 <http://asia.toto.com/>

**TOTO ASIA OCEANIA
PTE. LTD.** Manila Representative Office. Unit 1010, 10th Floor Rufino Building, Ayala Avenue cor.V.A.
Rufina Street, Makati City,1226 Philippines.
Phone : +63-2-887-6643 Fax : +63-2-887-4084 <http://asia.toto.com/>

**TOTO ASIA OCEANIA
PTE. LTD.** Yangon Branch. #303, Prime Hill Business Square, No. 60, Shwe Dagon
Pagoda Road, Dagon Township, Yangon Myanmar
Phone : +95 1 382710 Fax : +95-1 382638

**TOTO (THAILAND) LTD.
Spare Part and
After Service Center** 77 Moo 5 HSIL Industrial Zone T.Nong -Plamor A.Nong-Khae Saraburi 18140 Thailand
Phone : +66-92-246-5880, +66-92-246-6612, +66-36-382-760
Fax : +66-2-650-9923 <http://th.toto.com/en/index.php>

**TOTO INDIA INDUSTRIES
PVT. LTD** 101, Kamla Executive Park, Opp. Vazir Glass Works,
Off. Andheri Kurla Road, Andheri (East), Mumbai 400 059, India.
Phone : +91-22-4022-3717 / 3718 Fax : +91-22-4022-3719 <http://asia.toto.com/>

**TOTO VIETNAM
Co., Ltd.** R. 810, Daeha Business Centre, 360 Kim Ma St., Ba Dinh Dist., Ha Noi City
Phone : +84-4-37714354 Fax : +84-4-37714355 <http://toto.com.vn/>