

施工说明书 Instructions for construction

安装产品前请仔细阅读本施工说明书，并保留备用。
Before product installation, read these instructions for construction carefully and retain it for future reference.

TOTO

TOTO

OG4291Y
2017.08

目录

目 录

目 录	1
明细单	2
使用条件与施工上的注意	3
施工上的注意与保养	4
安装完成图	5
水嘴的安装	6-12
生产厂家与销售商	13

明细单

明细单

花洒头	1套
连接管部	1套
装饰板	1个
树脂板	1个
小螺钉	5个
扳手	3个
开闭工具	1个
施工说明书	1本
使用说明书	1本

使用此明细单的产品包括：
TBW01005* 固定淋浴头(淋浴·空气混入·双功能)

使用条件与施工上的注意

使用条件

1. 供冷水*热水压力：
最低压力……………0.15MPa（流动压）
最高压力……………0.75MPa（静压）
推荐使用压力……………0.15-0.5MPa（流动压）
2. 供水温度在4℃~60℃，建议使用热水温度60℃以下，供热水请勿使用蒸汽。
3. 使用环境温度1~40℃。如果低于0℃，水嘴会出现变形、冻裂等现象。
4. 为防止花洒内部损坏，花洒吐水温度不得超过60℃，建议使用温度45℃以下。
5. 长时间不使用时，可能导致水嘴内部及外部锈蚀不能使用等现象。
6. 如果您需要废弃本产品，请勿将其作为一般生活垃圾处理，请依照法规经由独立的回收体系进行合适的处理、恢复和回收。
7. 本说明书中的产品具有清洗功能。

施工上的注意

- ⚠️ **警告** 表示如果无视此标志而误操作时，有造成人员重伤或死亡。
- ⚠️ **注意** 表示如果无视此标志而误操作时，有造成人身伤害或财产损失。

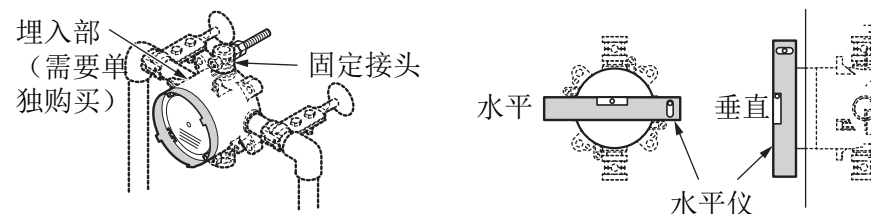
⚠️ 警告

1. 水嘴的供热水一侧处于高温状态，请勿使皮肤直接接触五金配件表面，否则可能会烫伤。
2. 请勿配反冷*热水配管，否则可能会烫伤。
3. 供热水请勿使用蒸汽，否则可能会烫伤。
4. 当直接从吐水口侧切换到淋浴器侧或从淋浴器侧切换到吐水口侧时，水温会发生变化，要用手测试水温后再使用，否则可能会烫伤。

施工上的注意与保养

⚠️ 注意

1. 本商品的施工，必须使用埋入部（TBN01002*）
2. 埋入部一定要使用TBN01002*里的固定接头，本商品施工前预先在墙面施工。
3. 本商品施工前，预先施工的埋入部不能晃动，埋入部的上下、左右垂直，用水平仪确认水平。
4. 埋入部施工不正确的场合，本商品会晃动、倾斜等。
5. 请勿撞击本产品，否则可能会造成故障、漏水。
6. 随着产品式样的不断更新，实物存在与图示不符的情况，但基本安装、使用原理相同。

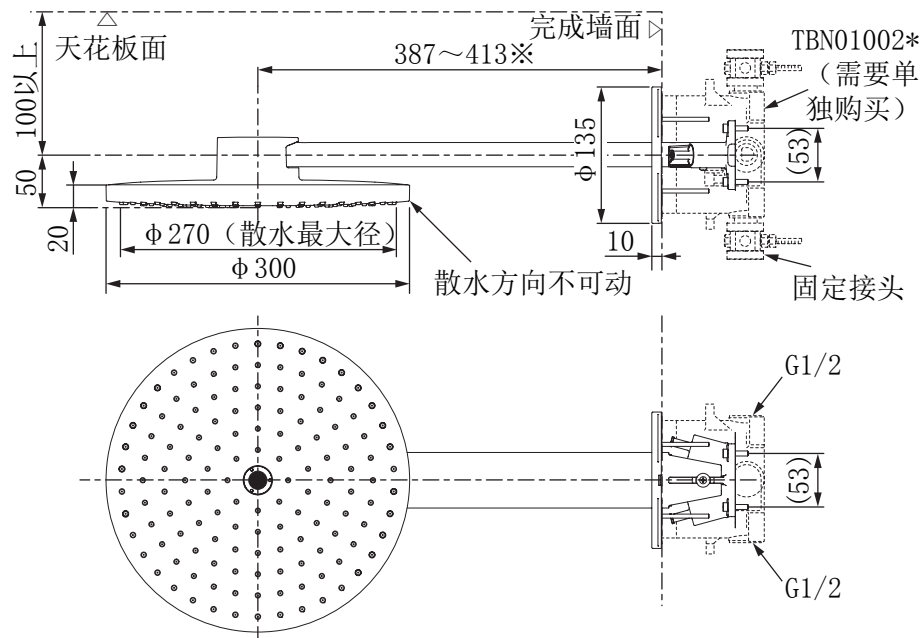


保养

- 为长期保持产品的美观，请用户按以下方法维护保养。
1. 经常用软布擦拭，间或用软布蘸水擦拭。
 2. 当有污垢且比较明显时，请用中性洗涤剂擦拭后充分进行水洗。

安装完成图

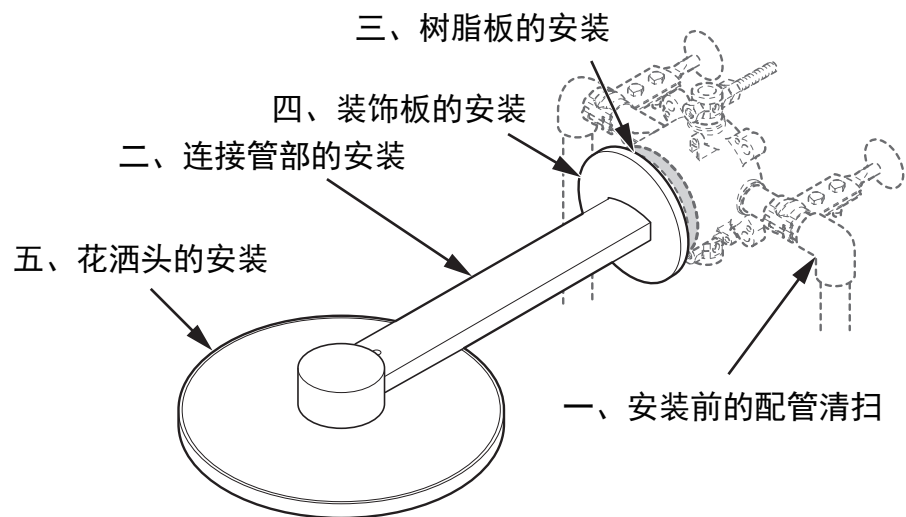
TBW01005*系列 固定淋浴头(淋浴·空气混入·双功能)



图中“※” 根据埋入部深度变化
注：上記尺寸单位为mm；()内尺寸为参考尺寸。

水嘴的安装

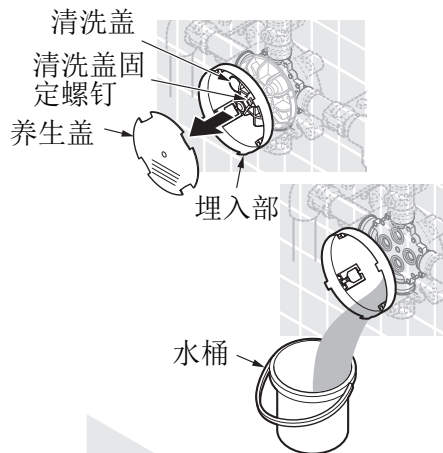
安装前准备的工具



水嘴的安装

一、安装前的配管清扫

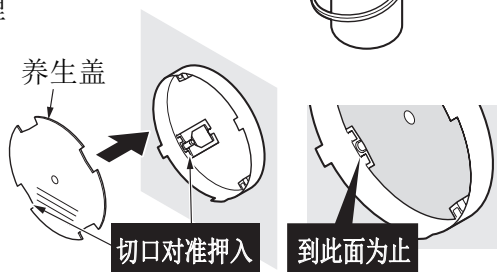
①取下埋入部的养生盖和清洗盖，埋入部通水，将配管内垃圾、砂粒等完全洗净流出。



注意

养生盖、清洗盖不要扔掉，配管内清扫后，再安装到埋入部。

②养生盖、清洗盖安装到埋入部。

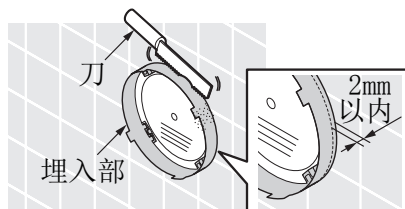


二、连接管部的安装

①埋入部的树脂外壳，从完成墙面切断，凸出墙面2mm以内，不要凹进墙面

注意

- 用刀将树脂外壳切断，折断弯曲的场合，树脂外壳可能会破损。
- 树脂外壳切断时，不要伤到完成墙面。

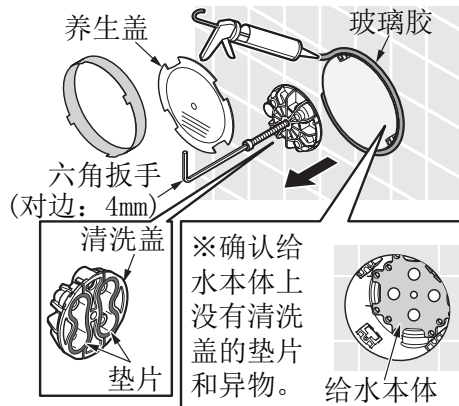


水嘴的安装

②完成墙面和埋入部的间隙，打玻璃胶做防水处理，去除养生盖、清洗盖

注意

※确认给水本体上没有清洗盖的垫片和异物。

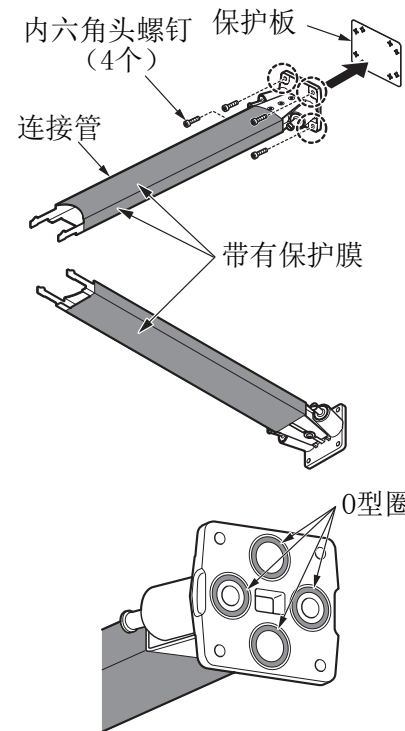


③为防止碰伤等，连接管上有保护膜。

④去除连接管的保护板，取下内六角头螺钉确认O型圈是否脱落。

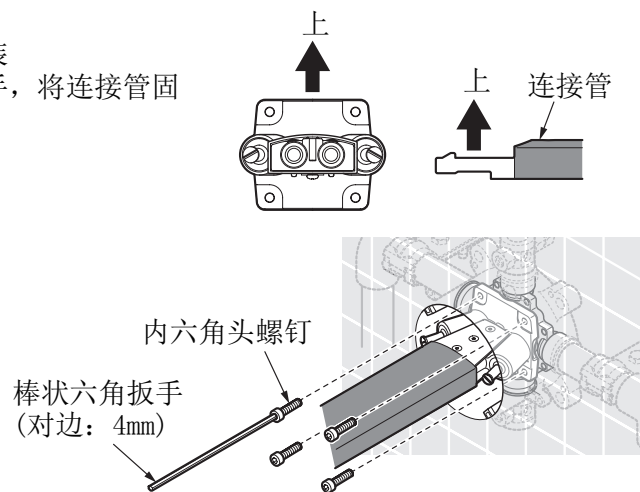
注意

内六角头螺钉请不要扔掉，连接管固定时需使用。

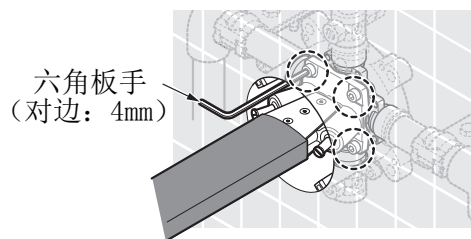


水嘴的安装

⑤连接管的安装
用棒状六角扳手，将连接管固定，用手旋紧。



⑥再用L型六角扳手完全旋紧固定。



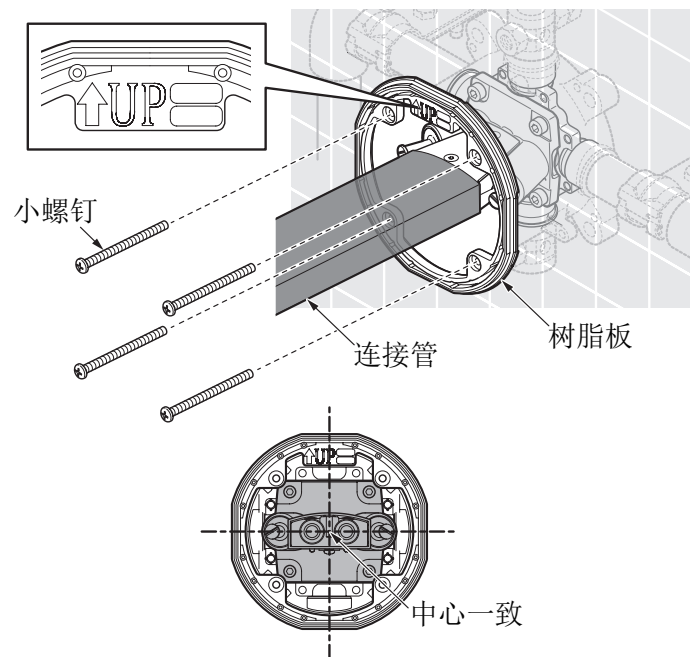
注意

为了避免通水本体晃动、松动，埋入部要确实固定紧。
通水本体不固定紧的场合，产品有可能脱落、漏水，造成财产损失。

水嘴的安装

三、树脂板的安装

“UP” 向上将树脂板用小螺钉固定在埋入部。



注意

- 树脂板的中心与连接管的中心一致固定。
- 螺钉不要旋的过紧，注意不要使树脂板变形。
- 用十字花螺丝刀旋紧，不要使用电动工具。

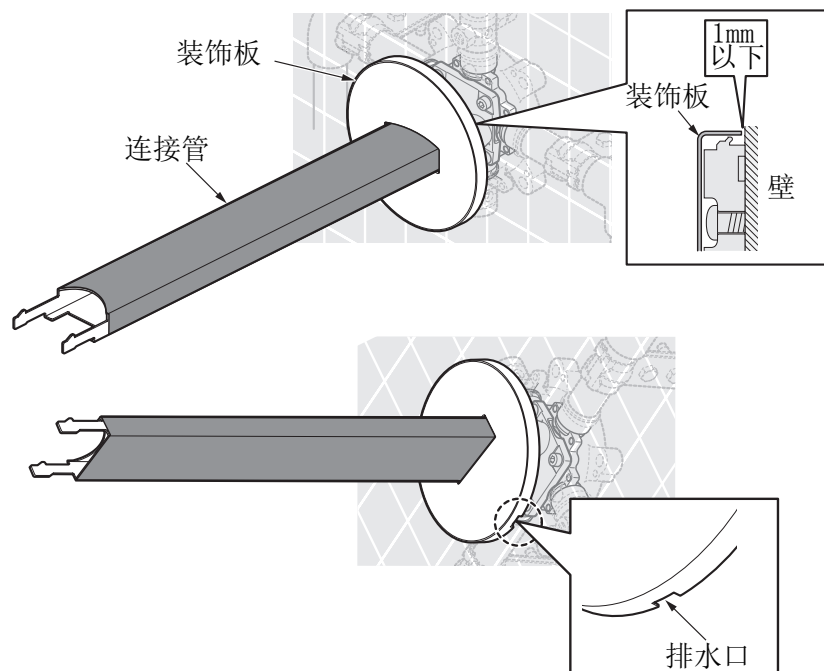
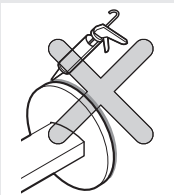
水嘴的安装

四、装饰板的安装

- ①确认排水口朝下。
- ②押入装饰板，装饰板与墙面的间隙1mm以下。

注意

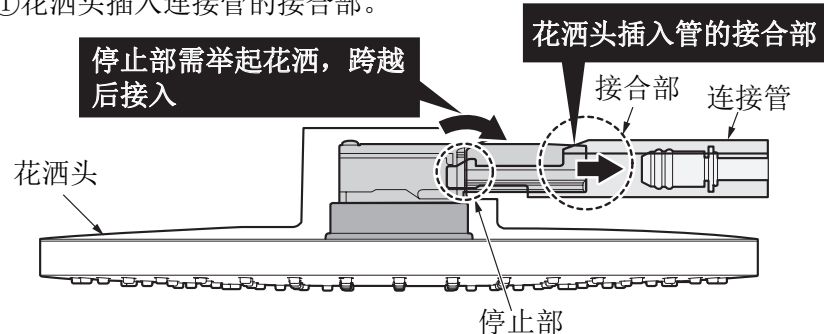
装饰板周边不要打玻璃胶。
否则将无法排出装饰板内的水。



水嘴的安装

五、花洒头的安装

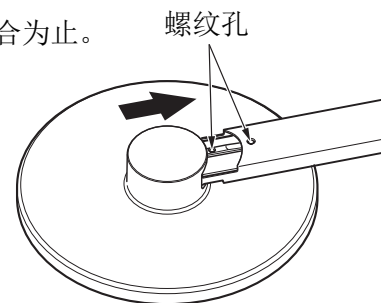
- ①花洒头插入连接管的接合部。



注意

连接管的前端不要碰伤花洒头的外壳。
连接管的前端不要接触到外壳插入连接管。

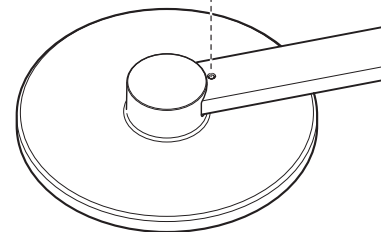
- ②花洒头和连接管插入到螺纹孔重合为止。



- ③用小螺钉固定。

六角板手 (对边: 2.5mm)

小螺钉



生产厂家与销售商

执行标准：GB/T 23447-2009、GB 28378-2012

产品型号：见包装箱上的标签

产品名称：见包装箱上的标签

生产日期：见包装箱上的标签

组装工厂：东陶（大连）有限公司

电 话：（0411）87624383

厂 址：大连经济技术开发区东北二街17号

东陶(中国)有限公司

全国售后服务电话：800-820-9787(固定电话)

400-820-9787(手机用户)

销售商：东陶(中国)有限公司

地 址：北京市朝阳区光华路1号 北京嘉里中心北楼1915室

网 址：www.toto.com.cn

Contents

Contents

Contents	1
Detailed list	2
Use condition and attentions in construction	3
Attentions in construction and maintenance	4
Installation completion figure	5
Faucet installation	6-12

Detailed list

Detailed List

Showerhead	1 set
Connection pipe part	1 set
Decorating plate	1 piece
Resin plate	1 piece
Small screw	5 pieces
Wrench	3 pieces
Open and close tool	1 piece
Instructions for construction	1 copy
Instructions for operation	1 copy

The products using this detailed list include:

TBW01005* "G Shower " 2mode Over Head Shower 300
(Standard Type)

Use condition and attentions in construction

Use condition

1. Cold water supply*hot water supply pressure:
Minimum pressure.....0.15MPa (flow pressure)
Maximum pressure.....0.75MPa (static pressure)
Recommended Operating pressure.....0.15-0.5MPa (flow pressure)
2. The temperature for water supply is 4~60°C. It is suggested to use the temperature below 60°C. Do not use steam to supply hot water.
3. The ambient temperature for use is 1~40°C. If the ambient temperature is lower than 0°C, the faucet will deform and crack from freezing.
4. To prevent internal sprinkler damage, the water outlet temperature on the sprinkler side shall not exceed 60°C. It is suggested to use a temperature below 45°C.
5. Being out of use for a long time may result in internal and external rust to the faucet and being unable to be used.
6. If you want to scrap this product, do not treat it as you do for general household garbage. Please follow relevant statutes to have it treated, recovered and collected appropriately by an independent recovery system.
7. The product in these instructions has a cleaning function.

⚠ Attention in construction

- ⚠ Warning: it means that ignoring this mark and misoperation may cause serious personal injury and death.
- ⚠ Attention: it means that ignoring this mark and misoperation may cause personal injury or property loss.

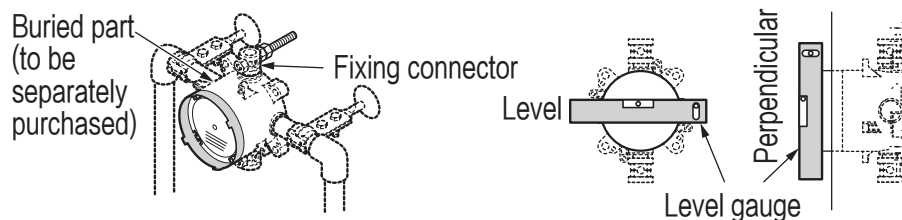
⚠ Warning

1. The hot water supply side of the faucet is in a condition of high temperature. Do not allow skin to contact with the hardware surface directly. Otherwise, scalding may occur.
2. Do not reverse cold*hot water pipes. Otherwise, scalding may occur.
3. Do not use steam to supply hot water. Otherwise, scalding may occur.
4. The water temperature will change when switch from spout to shower or switch from shower to spout. The user should test it by hand. Otherwise, scalding may occur.

Attentions in construction and maintenance

⚠ Attentions

1. The buried part (TBN01002*) must be used for construction of this commodity.
2. The buried part must use the fixing connector in TBN01002*. Construction on wall surface is carried out before construction of this commodity.
3. Before construction to this commodity, the buried part to which construction is carried out beforehand must not swing. The buried part is perpendicular from top to bottom and from left to right. Use a level gauge to confirm levelness.
4. In case that the buried part construction is not correct, this commodity will swing, incline, etc.
5. Please do not impact this product. Otherwise, failure, water leakage may be caused.
6. With the product style being updated constantly, the physical object may not be inconsistent with the illustration. However, the basic installation and principle of use are the same.



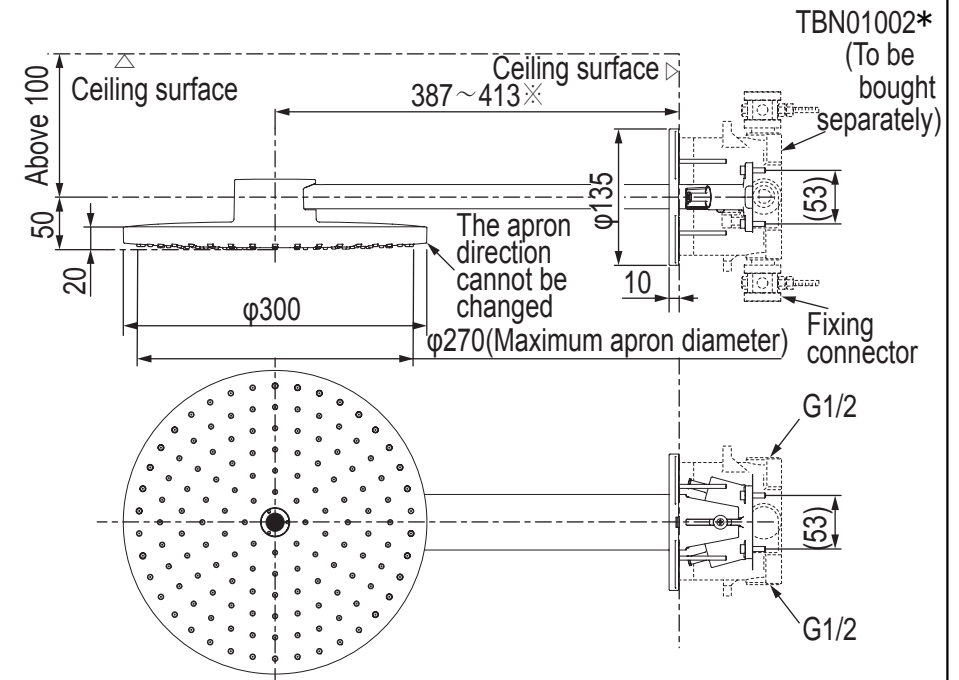
Maintenance

To maintain a beautiful appearance of the product, the user is requested to conduct maintenance and care in the following method.

1. Wipe with a piece of soft cloth frequently and use a piece of soft cloth dipped in water to wipe from time to time.
2. When dirt exists obviously, please use water to wash sufficiently after wiping with a neutral detergent.

Installation Completion Figure

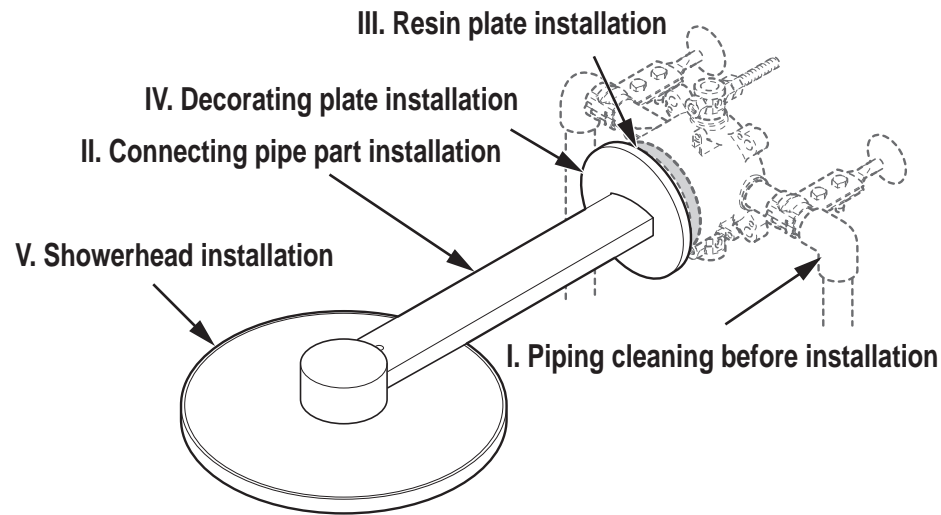
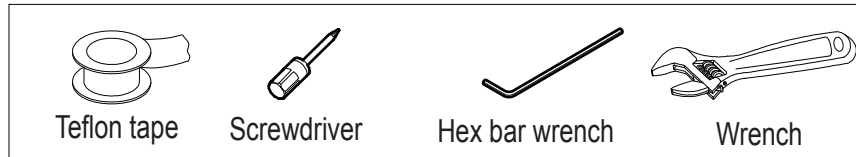
TBW01005* series Fixed showerhead (bath • air mingling in • double function)



The “※” in the figure is according to the buried part depth variation.
Note: The above dimensional unit is mm; the dimensions in () are reference ones.

Faucet installation

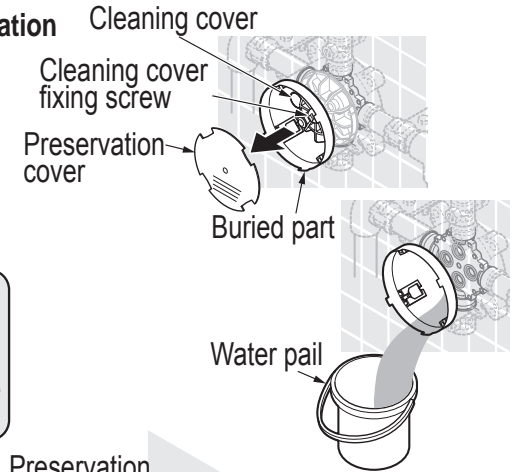
Tools to be prepared before installation



Faucet installation

I. Piping cleaning before installation

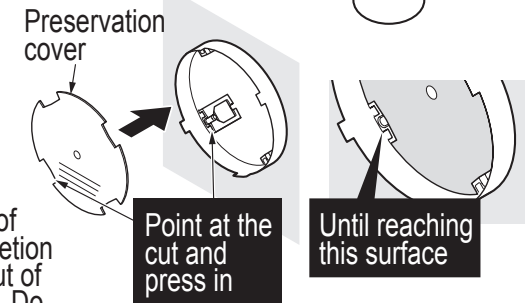
① Remove the preservation cover and cleaning cover of the buried part and supply water to the buried part to thoroughly clean the garbage, sand grains, etc. in the piping and allow the same to flow out.



Attention

Do not throw away the preservation cover, cleaning cover. After cleaning to the piping inside, install them to the buried part.

② Install the preservation cover, cleaning cover to the buried part.

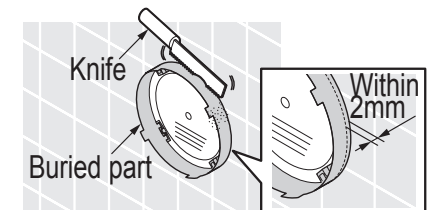


II. Connecting pipe part installation

① Cut off the resin enclosure of the buried part from the completion wall surface. The protrusion out of the wall surface is within 2mm. Do not be recessed into the wall surface.

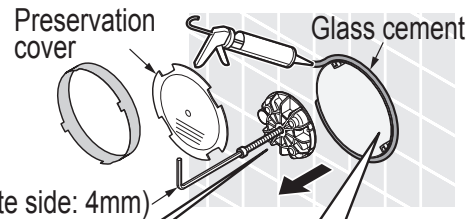
Attention

- Use a knife to cut off the resin enclosure. In case of bending in breaking, the resin enclosure may become damaged.
- In cutting off the resin enclosure, do not damage the completion wall surface.



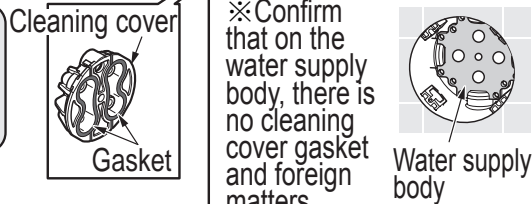
Faucet installation

② Apply glass cement and offer waterproofing treatment to the gap between the completion wall surface and the buried part. Remove the preservation cover, cleaning cover.



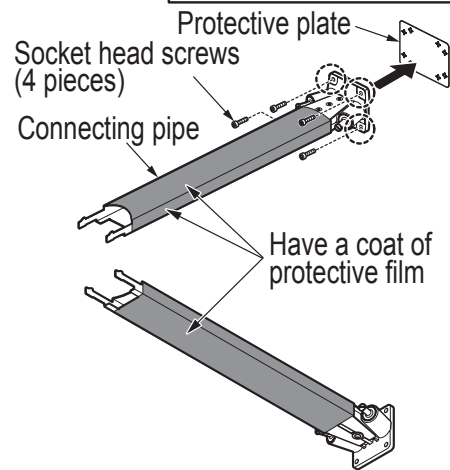
Attention

※ Confirm that on the water supply body, there is no cleaning cover gasket and foreign matters.



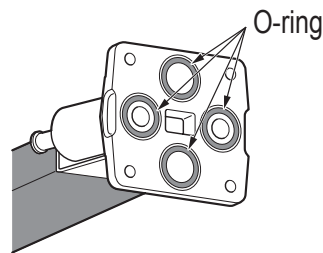
③ To prevent damage from collision, there is a coat of protective film on the connecting pipe.

④ Remove the protective plate of the connecting pipe, take away the socket head screws and confirm if the O-ring falls off.



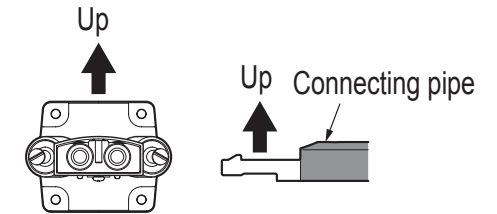
Attention

Please do not throw away the socket cap screws which will be used in fixing the connecting pipe.

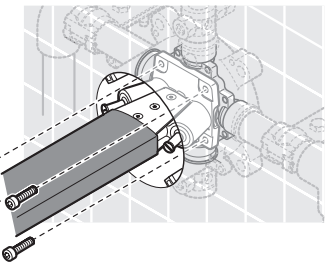


Faucet installation

⑤ Connecting pipe installation
Use the bar-like hex wrench to fix the connecting pipe and screw tight with hand.

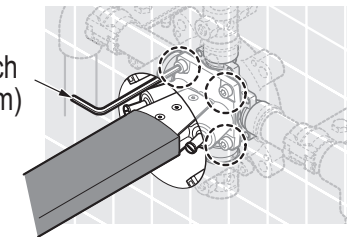


Socket cap screw
Bar-like hex wrench (opposite side: 4mm)



⑥ Then use a L-type hex wrench to fully screw tight and fix.

Hex wrench (opposite side: 4mm)



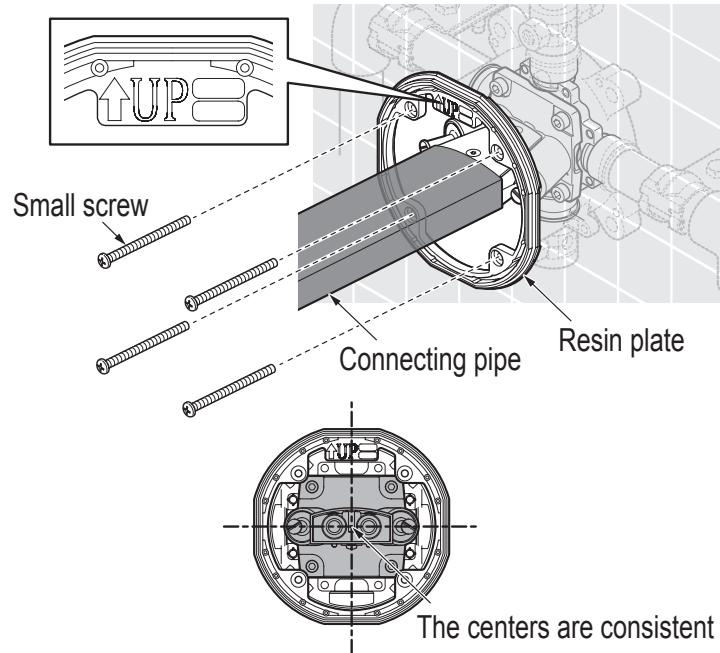
Attention

To avoid the water supply body swinging, becoming loose, the buried part must be firmly fixed for sure. If the water supply body is not firmly fixed, the product may fall off, water may leak from it in such a manner as causing property loss.

Faucet installation

III. Resin plate installation

With "UP" facing up, use small screws to fix the resin plate to the buried part.



- The center of the resin plate and the center of the connecting pipe are consistent for fixing.
- Do not tighten the screws too much. Take care not to allow the resin plate to deform.
- Use a Phillips driver to screw tight. Do not use any electric tool.

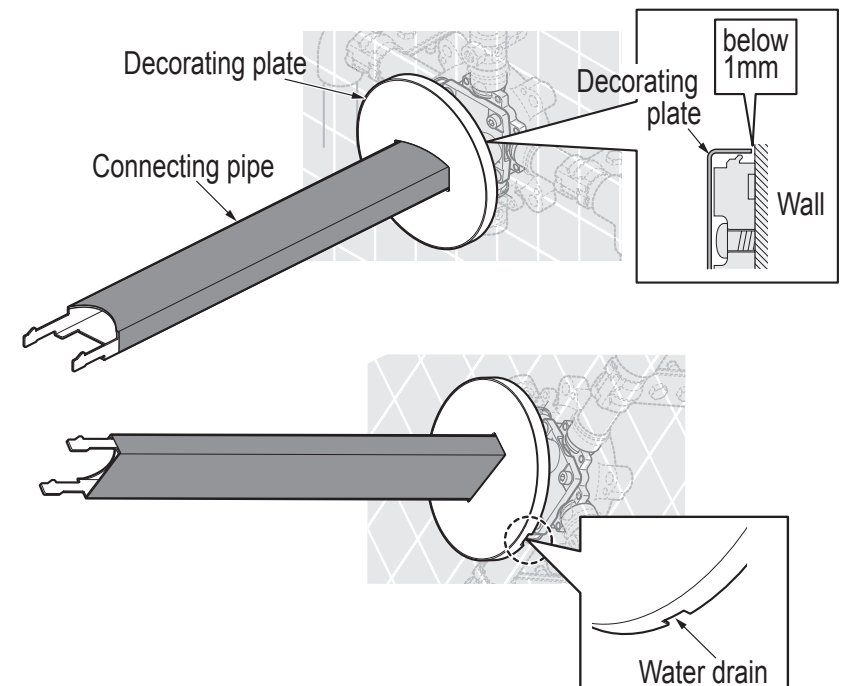
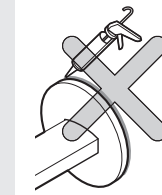
Faucet installation

IV. Decorating plate installation

- ① Confirm that the water drain faces down.
- ② Press the decorating plate in. The gap between the decorating and wall surface is below 1mm.

Attention

Do not apply glass cement around the decorating plate. Otherwise, it is impossible to drain water out from the decorating plate.

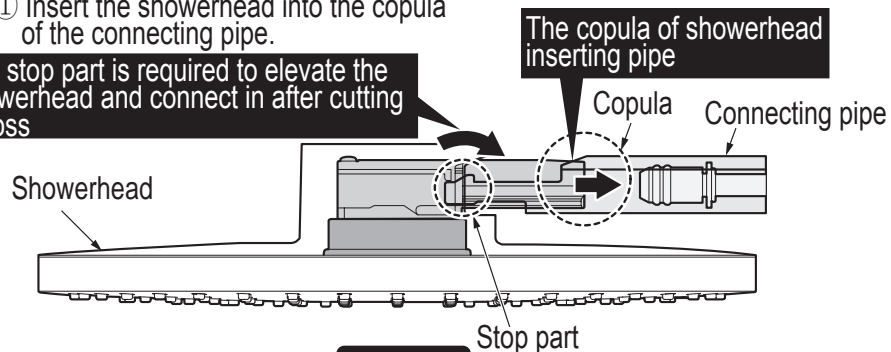


Faucet installation

V. Showerhead installation

- ① Insert the showerhead into the copula of the connecting pipe.

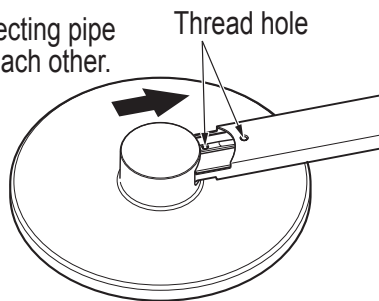
The stop part is required to elevate the showerhead and connect in after cutting across



Attention

Do not allow the front end of the connecting pipe to impact and damage the enclosure of the showerhead.
Do not allow the front end of the connecting pipe to contact with the inserted connecting pipe of the enclosure.

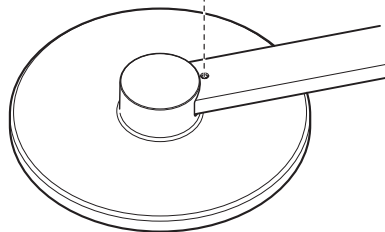
- ② Insert the showerhead and the connecting pipe until the thread holes coincide with each other.



- ③ Fix with small screws.

Hex wrench (opposite side: 2.5mm)

Small screw



TOTO Asia Oceania Pte. Ltd.

Telephone: 65-6744-6955

FAX: 65-6841-0819

Address: 10 Eunos Road 8 #12-07 Singapore Post Centre
Singapore 408600

Website: asia.toto.com

TOTO KOREA LTD.

전화번호 : (02)-3141-8236

FAX 번호 : (02)-3141-8240

주소 : 서울시 마포구 상수동 351-16번지 로이코빌딩 3층

홈페이지 : <http://www.totokr.co.kr>