

# 施工说明书

安装产品前请仔细阅读本施工说明书，并保留备用。

# TOTO

# TOTO

OG276G  
2017.02

# 目录

---

## 目 录

目 录.....	1
明细单.....	2-3
使用条件与施工上的注意.....	4
施工上的注意与保养.....	5
安装完成图.....	6
水嘴的安装.....	7-11
生产厂家与销售商.....	12

TOTO Asia Oceania Pte. Ltd.

Telephone:65-6744-6955

FAX: 65-6841-0819

Address : 10 Eunos Road 8 #12-07 Singapore Post Centre

Singapore 408600

Website:asia.toto.com

TOTO KOREA LTD.

전화번호 : (02)-3141-8236

FAX 번호 : (02)-3141-8240

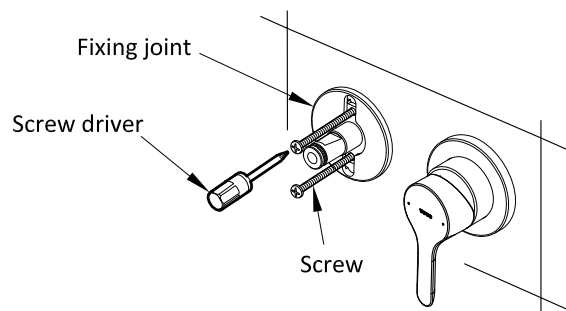
주소 : 서울시 마포구 상수동 351-16번지 로이코빌딩 3층

홈페이지 : <http://www.totokr.co.kr>

# Faucets installation

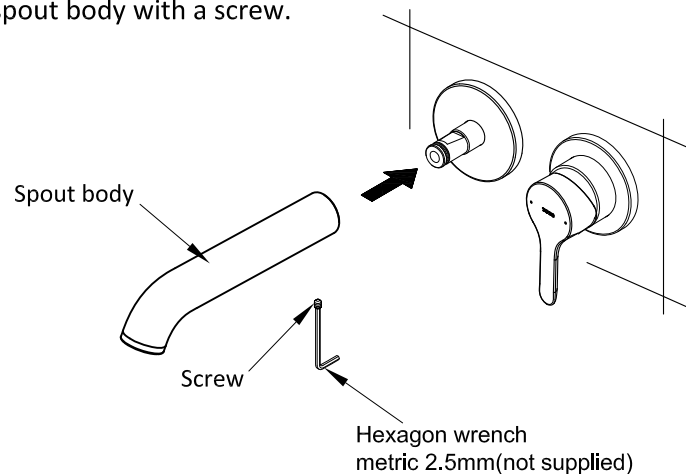
## 4. Installation of spout part

- a. Insert the fixing joint into the wall embedded body and use 2 screws to fix it onto the wall.



- b. Get the decoration cap through the fixing joint.

Connect the spout body to the fixing joint to attach it closely to the decoration cap. Align the position of the decoration cap and the spout body and then fix the spout body with a screw.



# 明细单

## 明细单

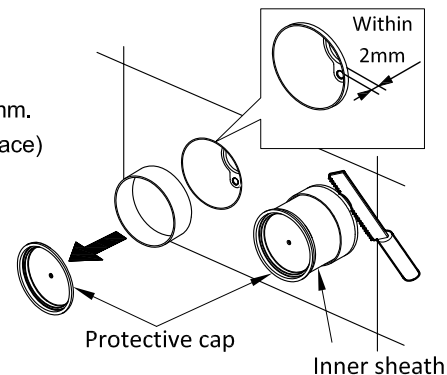
埋墙本体部.....	1套
吐水本体部.....	1套
手柄部.....	1套
固定接手.....	1套
装饰盖（大孔）.....	1个
装饰盖（小孔）.....	1个
螺钉.....	2个
吐水口治具.....	1个
防水布.....	2个
施工说明书.....	1本
使用说明书.....	1本

使用此明细单的产品包括:

- TLS01309\* 铜合金壁式单柄双控暗装洗面器水嘴
- TLS01310\* 铜合金壁式单柄双控暗装洗面器水嘴
- TLS02307\* 铜合金壁式单柄双控暗装洗面器水嘴
- TLS02308\* 铜合金壁式单柄双控暗装洗面器水嘴
- TLS03307\* 铜合金壁式单柄双控暗装洗面器水嘴
- TLS03308\* 铜合金壁式单柄双控暗装洗面器水嘴
- TLS04308\* 铜合金壁式单柄双控暗装洗面器水嘴
- TLS04309\* 铜合金壁式单柄双控暗装洗面器水嘴

## II. Installations of spout part and handle part

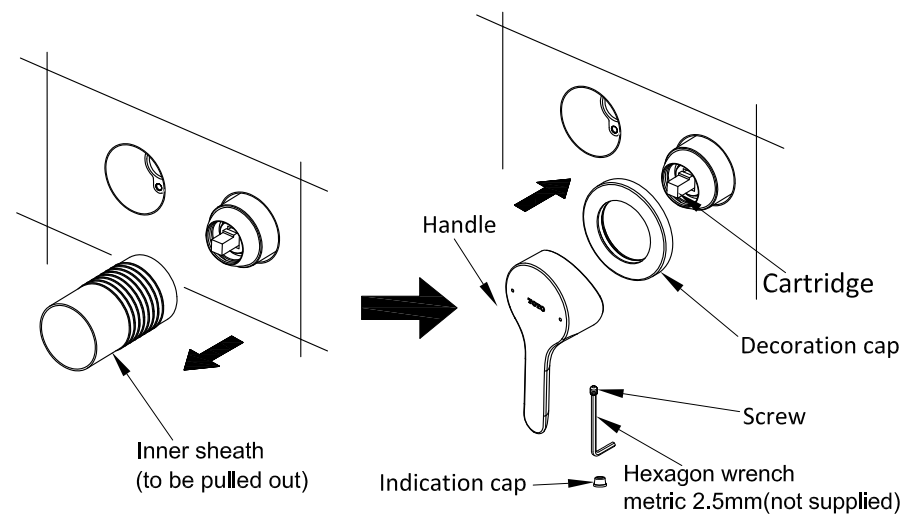
1. Cut off the resin protective sheath with a knife saw and ensure that the interval between the raised edge of the resin sheath and the wall surface is within 2mm. (The edge shall not sink in the wall surface)



### Attention

- Do not hurt the inner sheath when cutting to avoid damaging the internal valve element sheath.

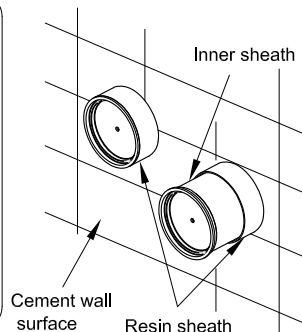
2. Installation of handle part:
  - a. Pull out the inner sheath (Note: The inner sheath does not work anymore after mounting is finished).
  - b. Cap the valve element sheath with the decoration cap near the wall surface. (Note: Apply a small amount of soap water on the O-ring inside the decoration cap for lubrication in order to facilitate mounting)
  - c. Mount the handle onto the valve element and use the screw to fix it and mount the indication cap at the position of the screw hole.



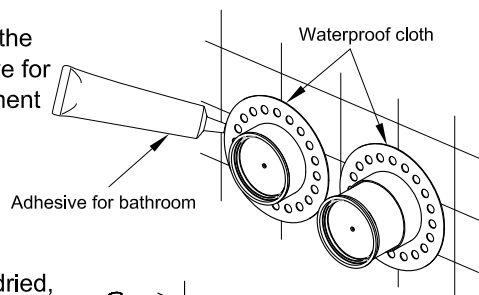
# Faucets installation

## Attention

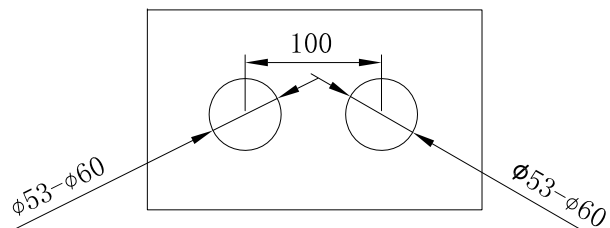
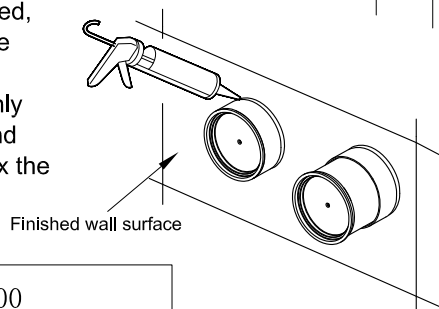
- When mounting the wall embedded body, do not remove the resin sheath or the inner sheath.
- Pay attention to the embedding depth of the wall embedded body to ensure that the finished wall surface is between the marks MIN and MAX on the protective sheath.
- Connect the inlet pipe to the wall embedded body. Make sure that each connection does not leak and then apply cement padding.



3. Get the waterproof cloth through the resin sheath and use the adhesive for bathroom to paste it onto the cement wall surface.



4. After the adhesive is completely dried, fix the tile. (Ceramic tile opening size below). In the case of the Resin sheath and the wall of the gap evenly coated with waterproof adhesive, and adhesive surface can not be convex the wall.



Ceramic tile opening size (unit: mm)

# 使用条件与施工上的注意

## 使用条件

1. 供冷水\*热水压力:  
最低压力……………0.05MPa (流动压)  
最高压力……………1MPa (静压)  
推荐使用压力……………0.1-0.5MPa (流动压)  
检测压力……………1.6MPa (静压)
2. 供水温度在4℃~90℃, 建议使用热水温度60℃, 供热水请勿使用蒸汽。
3. 使用环境温度0℃以上。如果低于0℃, 水嘴会出现变形、冻裂等现象。
4. 长时间不使用时, 可能导致水嘴内部及外部锈蚀不能使用等现象。
5. 如果您需要废弃本产品, 请勿将其作为一般生活垃圾处理, 请依照法规经由独立的回收体系进行合适的处理、恢复和回收。
6. 本说明书中的产品具有清洗功能。

## 施工上的注意

- ⚠ **警告** 表示如果无视此标志而误操作时, 有可能造成人员重伤或死亡。
- ⚠ **注意** 表示如果无视此标志而误操作时, 有可能造成人身伤害或财产损失。

## 警告

1. 水嘴的供热水一侧处于高温状态, 请勿使皮肤直接接触五金配件表面, 否则可能会烫伤。
2. 请勿配反冷\*热水配管, 否则可能会烫伤。
3. 供热水请勿使用蒸汽, 否则可能会烫伤。

# 施工上的注意与保养

## ⚠ 注意

1. 由于陶瓷阀芯是较精密的部件，请勿擅自分解，否则可能会造成漏水等不良。
2. 请勿撞击本产品，否则可能会造成故障、漏水。
3. 随着产品式样的不断更新，实物存在与图示不符的情况，但基本安装、使用原理相同。

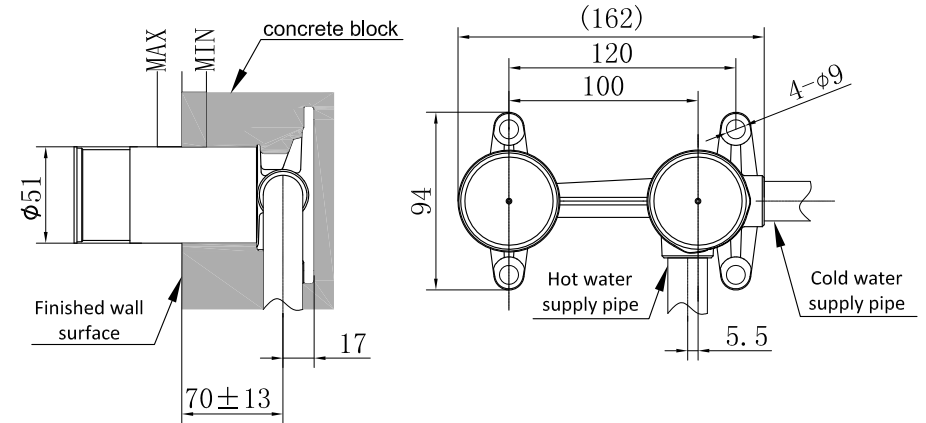
## 保养

为长期保持产品的美观，请用户按以下方法维护保养。

1. 经常用软布擦拭，间或用软布蘸水擦拭。
2. 当有污垢且比较明显时，请用中性洗涤剂擦拭后充分进行水洗。

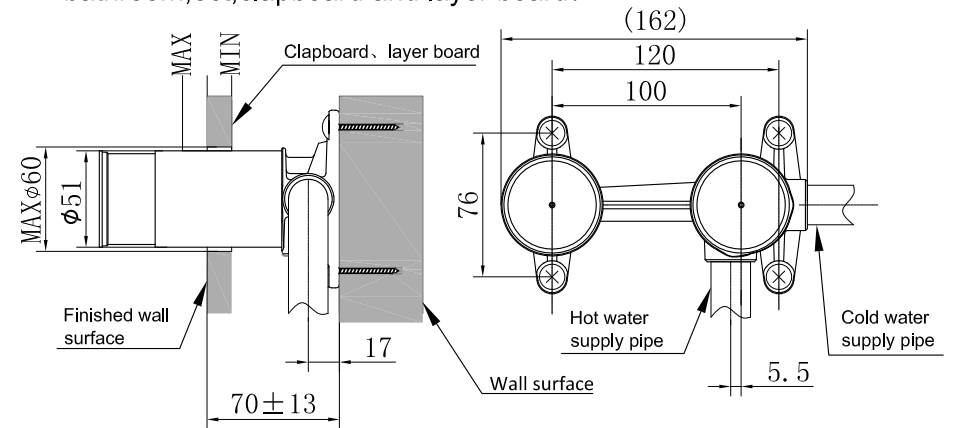
# Faucets installation

Installed on the concrete block



As shown in the figure, use cement or other padding to mount the product in the wall.

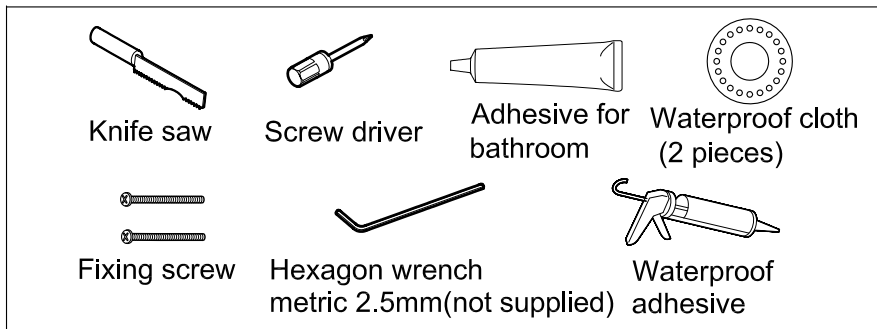
Installed to the intergration of the bathroom,ect,clapboard and layer board:



As shown in the figure, use screws to fix the product on the wall.  
※Please according to the need to further prepare suitable screw(ø8).

# Faucets installation

## Tools and parts to be prepared before installation



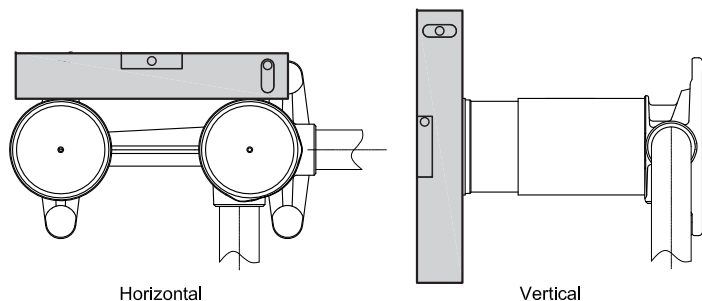
### Confirmation before installation

- Before installing the faucets it is imperative to clean and wash away the dust, sand grit, etc. in the water supply pipe.
- Read the installation manual carefully and follow the installation instruction.

### I. Installation of faucet body

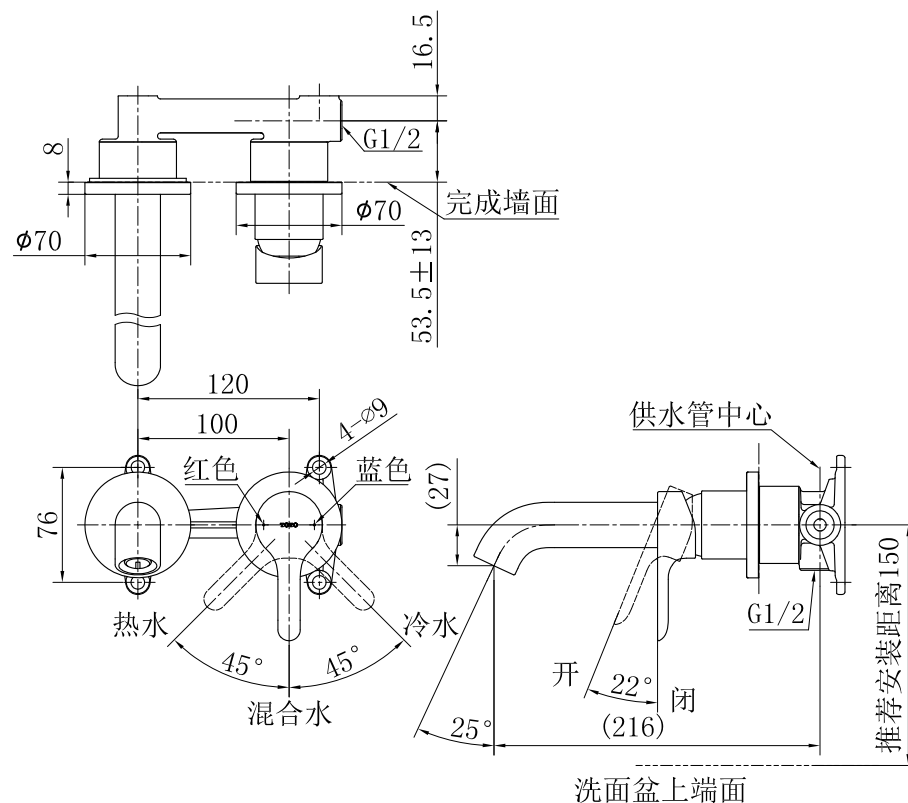
1. Connect the faucet body to a matching pipe. Groove the wall in accordance with the illustrated dimension. Otherwise, it might cause a problem when mounting the faucet.

※Essential: Calibrate the wall embedded body with a gradienter to keep its horizontal direction and vertical direction at optimum.



# 安装完成图

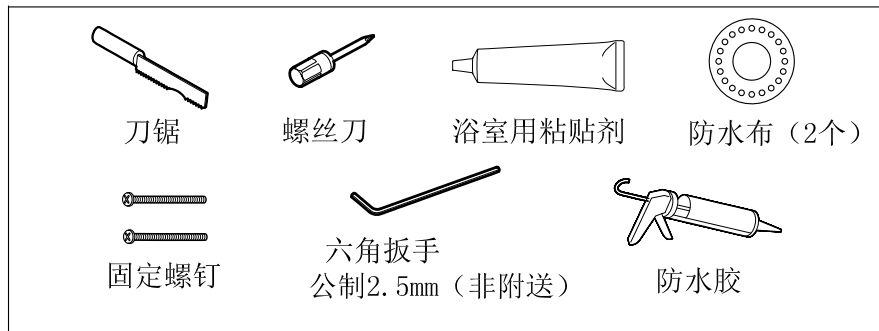
## TLS01309\* 铜合金壁式单柄双控暗装洗面器水嘴



注：上記尺寸单位为mm；  
( )内尺寸为参考尺寸。

# 水嘴的安装

## 安装前准备的工具以及部品



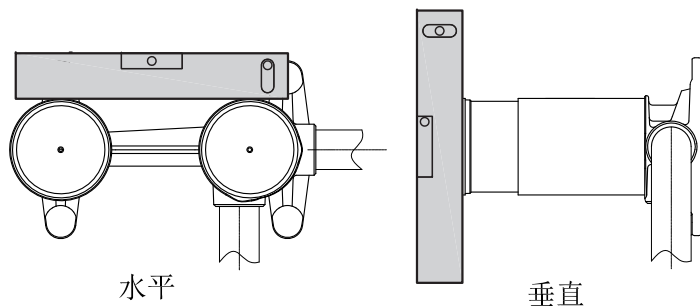
### 安装前确认

- 水嘴安装前必须先将供水管内的尘埃、砂砾等到完全冲洗干净、冲出。
- 仔细阅读施工说明书并按照说明书的安装要领来进行安装。

## 一、水嘴主体的安装

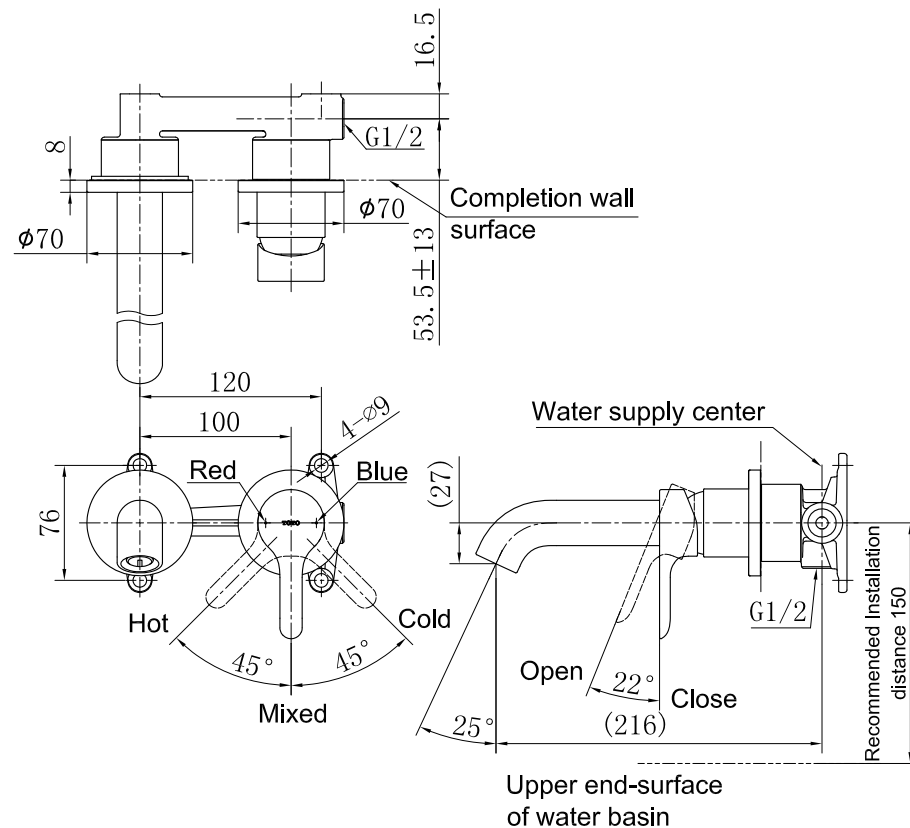
1. 事先把水嘴主体和相应的管子连接好, 然后参照图示尺寸在墙面开槽, 否则水嘴安装时可能会出现问題。

※必要: 安装时使用水平仪对埋墙本体进行校正, 使水平、垂直在最佳状态。



# Installation completion figure

## TLS01309\* "LB" Wall Mounted Single Lavatory Faucet (Short)



Note: The above dimensional unit is mm.  
The dimension in ( ) is reference dimension.



## Attentions in construction and Maintenance

### ⚠ Attentions

1. Do not impact the product. Otherwise, failure, water leakage may occur.
2. If the water outlet pressure is too high, please adjust the water valve to the water flow you need to avoid the water sprinkled out the basin.
3. With the product design being updated constantly, the physical object may not coincide with the figure. However, the basic principle for installation, use is the same.

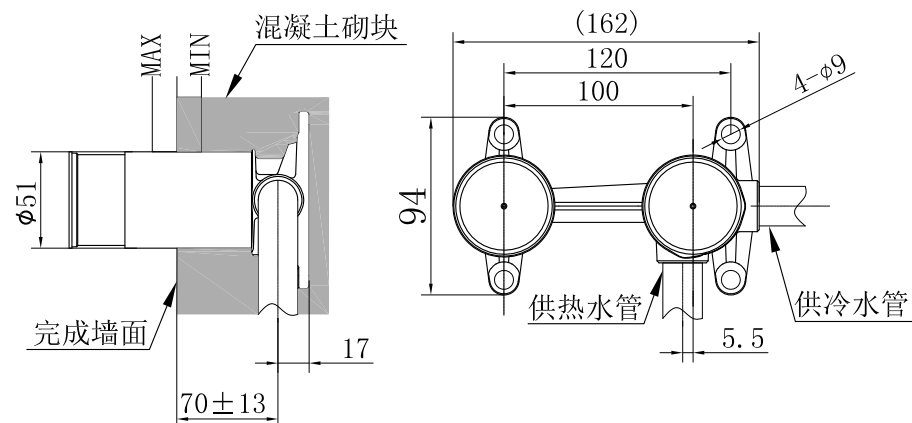
### Maintenance

To maintain the good appearance of the product for a long time, the user is requested to conduct maintenance and care by the following method.

1. Wipe with a piece of soft cloth frequently and use a piece of soft cloth dipped in water to wipe from time to time.
2. When dirt exists obviously, please use water to wash sufficiently after wiping with a neutral detergent.

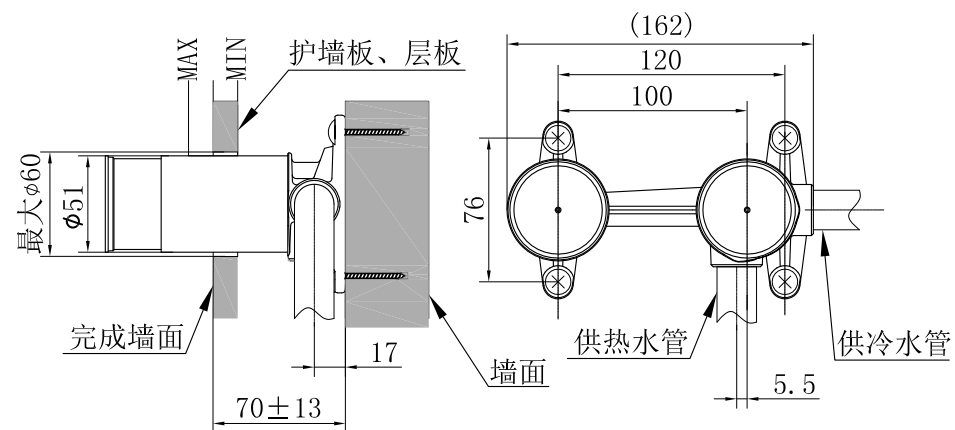
## 水嘴的安装

安装到混凝土砌块



如图所示，用水泥等填料将产品安装在墙内。

安装到一体化浴室等，护墙板和层板上：

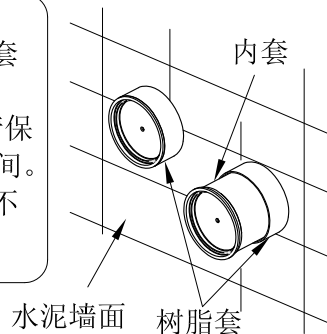


如图所示，用螺钉将产品固定到墙面上。  
※请根据需要另外准备合适的螺钉（φ8）

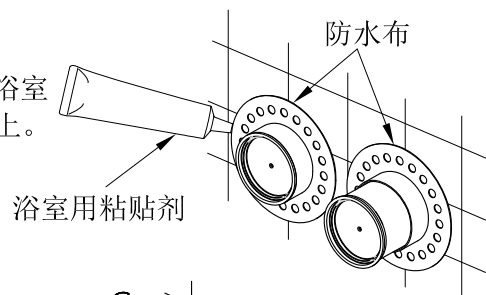
# 水嘴的安装

## 注意

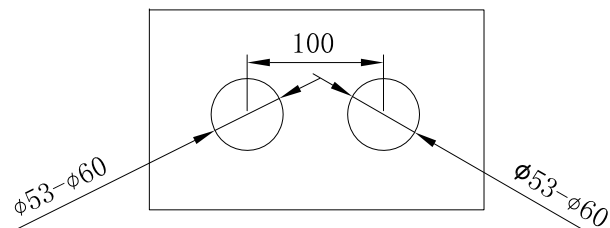
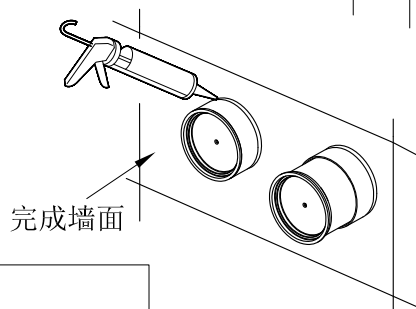
- 安装埋墙本体时，请不要将树脂套、内套取下。
- 安装时，请注意埋墙本体的埋入深度，请保证完成墙面在保护套上MIN—MAX标志之间。
- 进水管与埋墙本体连接并确认各连接处不漏水再加水泥填料。



3. 将防水布穿过树脂套，使用浴室用粘贴剂将其粘在水泥墙面上。



4. 粘贴剂完全干燥之后，再将瓷砖安装完毕（瓷砖开孔尺寸见下图）。在树脂套与瓷砖的缝隙中均匀涂上防水胶，且胶面不能凸出墙面。



瓷砖开孔尺寸（单位：mm）

# Use condition and attentions in construction

## Use condition

1. Cold water supply\*hot water supply pressure  
 Minimum pressure ..... 0.05MPa (flow pressure)  
 Maximum pressure ..... 1.0MPa (static pressure)  
 Recommended Operating pressure ..... 0.1~0.5MPa (flow pressure)  
 Test pressure ..... 0.4MPa (static pressure)
2. The temperature for water supply is 4~90℃.It is recommended to use hot water temperature of 60℃,Do not use steam to supply hot water.
3. The ambient temperature for use is above 0℃. If the ambient temperature is lower than 0℃, the faucets will deform and crack from freezing.
4. Being out of use for a long time may result in internal and external rust to the faucets and being unable to be used.
5. If you want to scrap this product, do not treat it as you do for general household garbage. Please follow relevant statutes to have it treated, recovered and collected appropriately by an independent recovery system.
6. The product in these instructions has a cleaning function.

## Attentions in construction

- ⚠ Warning: it means that ignoring this mark and misoperation may cause serious personal injury and death.
- ⚠ Attention: it means that ignoring this mark and misoperation may cause personal injury or property loss.

## ⚠ Warning

1. The hot water supply side of the faucets is in a condition of high temperature. Do not allow skin to contact with the hardware surface directly. Otherwise, scalding may occur.
2. Do not reverse the cold\*hot water pipes. Otherwise scalding may occur.
3. Do not use steam to supply hot water. Otherwise, scalding may occur.

# Detailed list

## Detailed list

The products using this detailed list include:

- TLS01309\* "LB" Wall Mounted Single Lavatory Faucet (Short)
- TLS01310\* "LB" Wall Mounted Single Lavatory Faucet (Long)
- TLS02307\* "LN" Wall Mounted Single Lavatory Faucet (Short)
- TLS02308\* "LN" Wall Mounted Single Lavatory Faucet (Long)
- TLS03307\* "LC" Wall Mounted Single Lavatory Faucet (Short)
- TLS03308\* "LC" Wall Mounted Single Lavatory Faucet (Long)
- TLS04308\* "LF" Wall Mounted Single Lavatory Faucet (Short)
- TLS04309\* "LF" Wall Mounted Single Lavatory Faucet (Long)

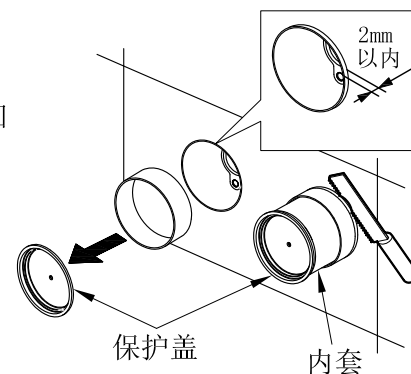
# 水嘴的安装

## 二、吐水口部及把手部的安装

1. 使用刀锯将树脂保护套切除，需要保证树脂套凸起边缘与墙面在2mm以内。（边缘也不能凹陷于墙面以内）

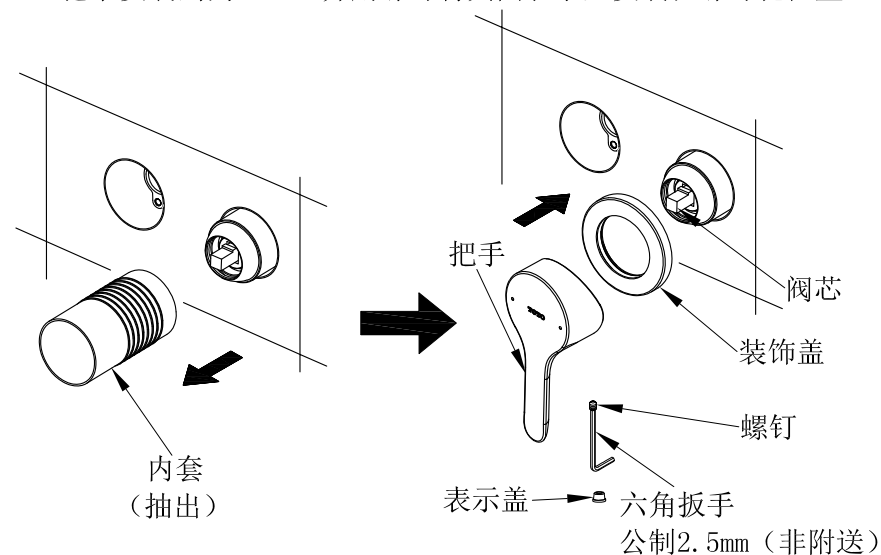
### 注意

- 在切割时注意不要割伤内套，以免划伤内部阀芯套。



## 2. 把手部的安装:

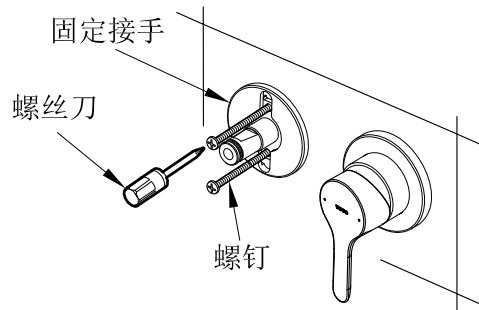
- a. 抽出内套(注: 安装完后内套将不再起作用)。
- b. 将装饰盖套在阀芯套上, 贴近墙面即可。(注: 为方便安装可将装饰盖内的O型圈涂少量的肥皂水进行润滑)
- c. 把手安装到阀芯上, 并用螺钉将其固定表示盖安装在螺钉孔位置。



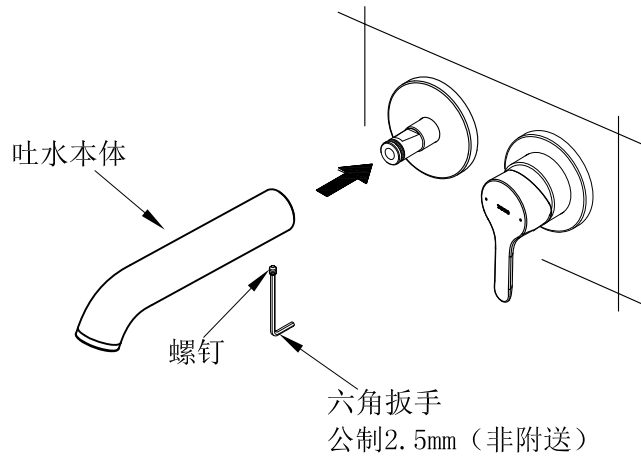
# 水嘴的安装

## 4. 吐水口部的安装:

- a. 将固定接手插入埋墙本体扣到墙面上，并用2个螺钉将其紧固。



- b. 将装饰盖穿过固定接手，吐水本体部与固定接手连接，使其与装饰盖完全贴紧，调整好装饰盖与吐水本体位置后，将吐水本体用螺钉紧固。



# Detailed list

## Detailed list

Wall embedded body part	1 set
Spout body part	1 set
Handle part	1 set
Fixed joint	1 set
Decoration cap (large hole)	1 piece
Decoration cap (small hole)	1 piece
Screw	2 pieces
Spout jig	1 piece
Waterproof cloth	2 pieces
Installations for construction	1 copy
Instructions for operation	1 copy

# Contents

## Contents

Contents .....	1
Detailed list .....	2-3
Use condition and attentions in construction .....	4
Attentions in construction and maintenance .....	5
Installation completion figure .....	6
Faucets installation .....	7-11

# 生产厂家与销售商

执行标准：GB18145-2014

产品型号：见包装箱上的标签

产品名称：见包装箱上的标签

生产日期：见包装箱上的标签

组装工厂：东陶机器(广州)有限公司

电 话：(020) 34764020

厂 址：广州市番禺区南村镇兴南大道715号

东陶(中国)有限公司

全国售后服务电话：800-820-9787(固定电话)

400-820-9787(手机用户)

销售商：东陶(中国)有限公司

地 址：北京市朝阳区光华路1号 北京嘉里中心北楼1915室

网 址：www.toto.com.cn

# Instructions for construction

Before product installation, read these instructions for construction carefully and retain it for future reference.

# TOTO

# TOTO

OG276G  
2017.02