

**TOTO**

**使用说明书**  
**Instructions for operation**

安装产品前请仔细阅读本施工说明书，并保留备用。  
Before using product, read these Instructions for operation  
carefully and retain it for future reference.

**TOTO**

OG406Y  
2017.03

# 目录

## 目 录

目 录	1
明细单	2
使用条件与施工上的注意	3
施工上的注意与保养	4
产品示意图	5-6
温度调节	7
使用方法	8
拆卸与检查	9-10
产品保修卡	11
合格证	12

# 明细单

## 明细单

水嘴主体部	1套
手柄部	1套
外观板部	1套
衬板部	1套
固定盖	1个
调节螺杆	1套
按钮	1套
螺钉	4个
施工说明书	1本
使用说明书	1本

使用此明细的产品包括:

TBV02105 \*铜合金壁式暗装三向转换面板  
(开闭切换•按启式)

TBV02405 \*铜合金壁式单柄恒温暗装水嘴面板  
(开闭•按启式)

TBV02406 \*铜合金壁式单柄恒温暗装水嘴面板  
(开闭切换•按启式)

TBV02402 \*铜合金壁式单柄恒温暗装水嘴面板

注: TBV02105 \*场合无手柄部

TBV02402 \*场合无按钮、调整螺杆、固定盖

# 使用条件与施工上的注意

## 使用条件

### 1. 供冷水\*供热水压强

最低压强……………0.05MPa（流动压）

最高压强……………1.0MPa（静压）

推荐压强……………0.1-0.5MPa（流动压）

超过0.5MPa要加装减压阀

测试压强……………1.6MPa（静压）

### 2. 供水温度在4℃~90℃，建议使用热水温度60℃，供热水请勿使用蒸汽。

### 3. 使用环境温度0℃以上。如果低于0℃，水嘴会出现变形、冻裂等现象。

### 4. 为防止花洒内部损坏，花洒侧吐水温度不得超过60℃，建议使用温度45℃以下。

### 5. 长时间不适用时，可能导致水嘴内部及外部锈蚀不能使用等现象。

### 6. 如果您需要废弃本产品，请勿将其作为一般生活垃圾处理，请依照法规经由独立的回收体系进行合适的处理、恢复和回收。

### 7. 本说明书中的产品具有清洗功能。

※为了达到最好的安装与使用效果，推荐与「TOTO」系列花洒一起配套使用

## 施工上的注意

 **警告** 表示如果无视此标志而误操作时，有可能造成人员重伤或死亡。

 **注意** 表示如果无视此标志而误操作时，有可能造成人身伤害或财产损失。

# 施工上的注意与保养

## 警告

1. 幼儿禁止使用或幼儿需要由成年人监护使用、老人和残障人士等特殊群体应在有行动能力人员陪同下使用。
2. 水嘴的供热水一侧处于高温状态，请勿使皮肤直接接触五金配件表面，否则可能会烫伤。
3. 请勿配反冷\*热水配管，否则可能会烫伤。
4. 供热水请勿使用蒸汽，否则可能会烫伤。
5. 当直接从吐水口侧切换到淋浴器侧或从淋浴器侧切换到土水口侧时，水温会如果生变化，要用手测试水温后再使用，否则可能会烫伤。
6. 慢慢地旋转温度调节手柄，若急速地转动温度调节手柄，温度会骤然上升或下降。
7. 温度调节手柄“40”标记与水嘴主体上白色圆点对齐时，出水温度为40℃；温度调节手柄向上旋转(不按安全按钮)至转不动时，出水温度为42℃左右。使用了热水后必须将温度调节手柄到“40”以下，以免再使用时又喷出热水。
8. 拆卸与维修前请务必关闭供水水阀。

## 注意

1. 由于温控阀芯是较精密的部件，请勿擅自分解，否则可能会造成漏水等不良。
2. 请勿撞击本产品，否则可能会造成故障、漏水。
3. 必须使用中性洗涤剂清洗，中性以外的洗涤剂会破坏镀层或使表面变色。
4. 不得使用酸性洗涤剂和去污粉、抛光粉等含粗颗粒的洗涤剂和尼龙刷，否则可能会破坏镀层等。
5. 可使用软布擦拭，间或用机油或车用蜡浸布擦拭，但请勿接触树脂部件，否则可能失去光泽和产生锈蚀。
6. 建议不要长时间不使用，否则可能会导致水嘴内部以及外部锈蚀不能使用等现象。
7. 随着产品式样的不断更新，实物存在与图示不符的情况，但基本安装、使用原理相同。
8. 按压阀芯关闭瞬间，会有压力冲击声音，属于正常现象，对功能无影响。
9. 由于出厂前进行通水检查，故水嘴内可能有残留水，并非产品有问题。

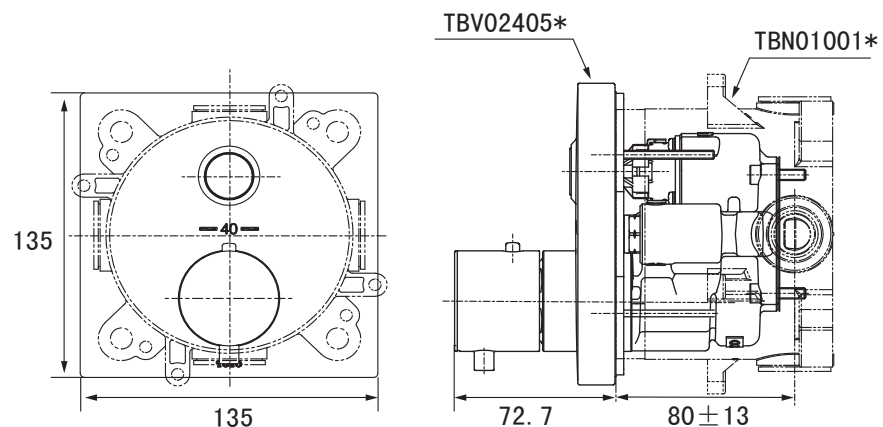
## 保养

为长期保持产品的美观，请用户按以下方法维护保养。

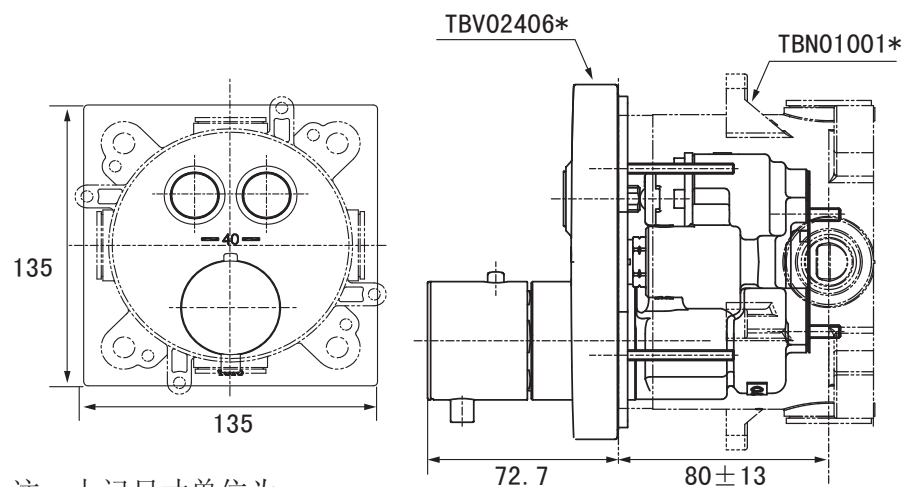
1. 经常用软布擦拭，间或用软布蘸水擦拭。
2. 当有污垢且比较明显时，请用中性洗涤剂擦拭后充分进行水洗。

# 产品示意图

TBV02405 \* 铜合金壁式单柄恒温暗装水嘴面板  
(开闭·按启式)



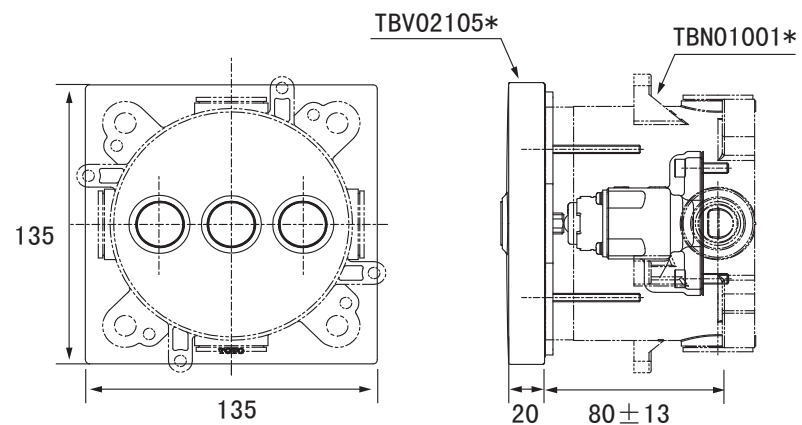
TBV02406 \* 铜合金壁式单柄恒温暗装水嘴面板  
(开闭切换·按启式)



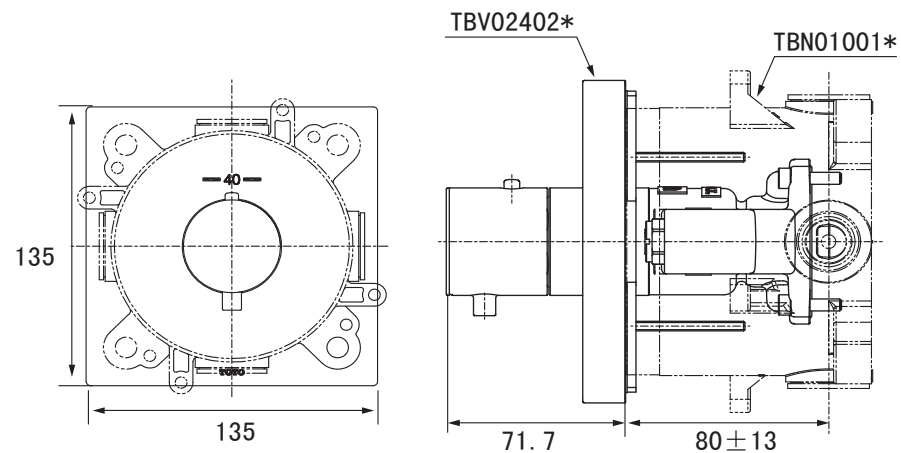
注：上記尺寸单位为mm  
( )内尺寸为参考尺寸

# 产品示意图

TBV02105 \* 铜合金壁式暗装三向转换面板  
(开闭切换·按启式)



TBV02402 \* 铜合金壁式单柄恒温暗装水嘴面板



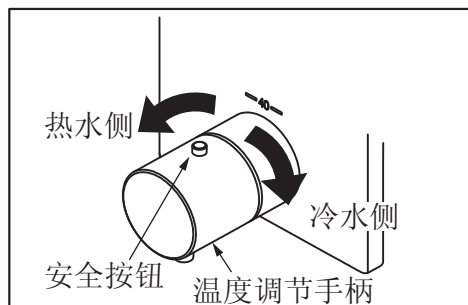
注：上記尺寸单位为mm  
( )内尺寸为参考尺寸

# 温度调节

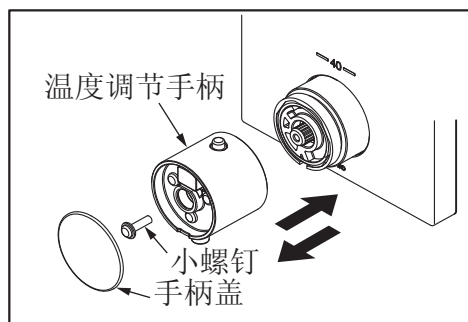
※TVB02105\*场合无此调温功能

## 吐水温度的确认

将温度调节手柄上安全按钮与本体“40”居中对齐，打开吐水口或者花洒吐水，确认吐水温度是否为 $40\pm 2^{\circ}\text{C}$ ，如果不是，请按下列要领调节吐水水温。



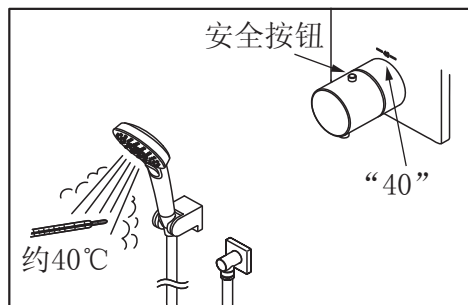
1. 让花洒或者吐水口吐水，慢慢旋转温度调节手柄直至吐水温度达到 $40^{\circ}\text{C}$  (该位置与装饰板上的“40”标识无关)，若旋转至最高吐水限位时可按下安全按钮继续旋转。



2. 取下手柄前，请先拆下手柄盖以及小螺钉。

### 注意

手柄盖拆卸时，请用螺丝刀等比较细的地方小心翘起，注意不要划伤镀层表面。拆卸过程中请保证手柄不要转动。



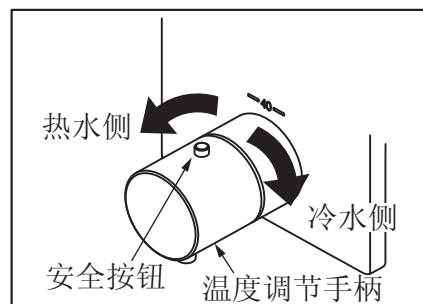
3. 将手柄安全按钮对准“40”标识装上，再次确认吐水温度满足 $40^{\circ}\text{C}$ 后，用小螺钉紧固，最后盖上手柄盖。

# 使用方法

## 1. 特点

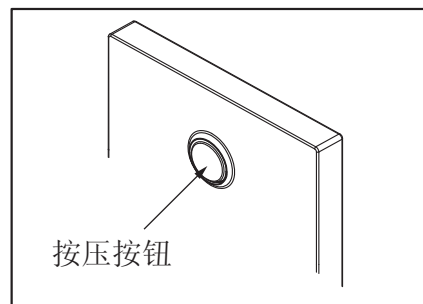
- ①在恒温器的作用下，可自行将出水调至一定的温度。因此在工作中即使供给的冷、热水的压力发生变化，出水温度也几乎不变。
- ②调节温度调节手柄即可达到期望的温度。
- ③安装了滤网，避免了配管中的沙粒或者灰尘进入部件中。
- ④温度调节手柄带有安全按钮，即使误操作也不会喷出热水。

## 2. 各功能部的使用方法



1. 旋转温度调节手柄，将期望的出水温度调节至 $40^{\circ}\text{C}$ 标识处。标识“40”表示出水温度的标准。
2. 设有安全按钮，以防误操作而喷出热水。温度调节手柄一般旋停在“40”附近。若想更高温度出水（大于 $40^{\circ}\text{C}$ ），必须按下安全按钮同时旋转手柄，但是手柄内部结构未被拆卸损坏的前提下，最高出水温度不会超过 $49^{\circ}\text{C}$ ，请不要蛮力旋转手柄。

(TBV02105\*场合无上述高温功能)



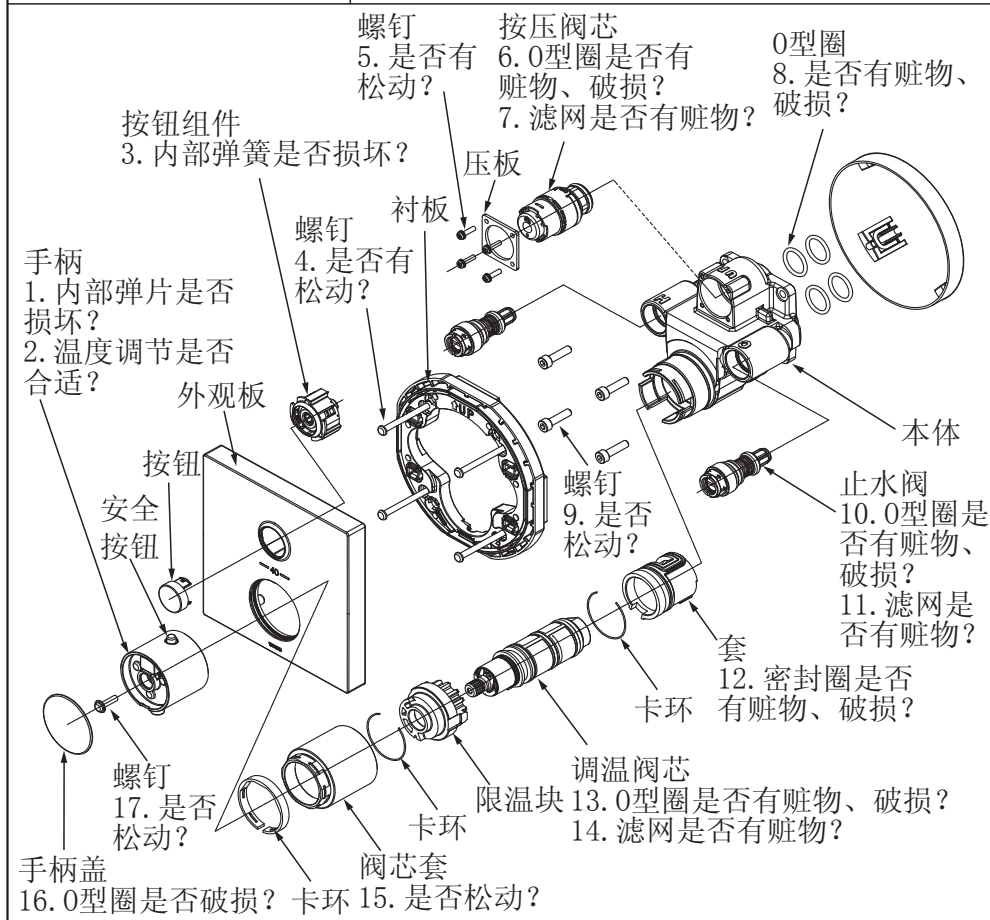
3. 按压按钮按下、按启可实现水路的开闭。多组按压按钮场合可实现各功能产品的开闭切换。

(TBV02402\*场合无此功能)

# 拆卸与检查

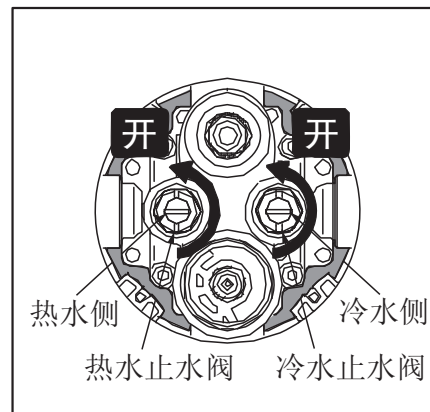
以TBV02405\*为例  
(TBV02105\*无调温及止水阀结构、TBV02402\*无按压阀芯结构)

现象	检查项目
水流量小	7、11、14
手柄、手柄盖、衬板松	17、16、4
水流不止、漏水	5、6、8、10、12、13、15
只出现高温	2、11、13、14
只出现低温	2、11、13、14
安全按钮、按钮不复位	1、3



# 拆卸与检查

## 止水阀的清洗及流量调节

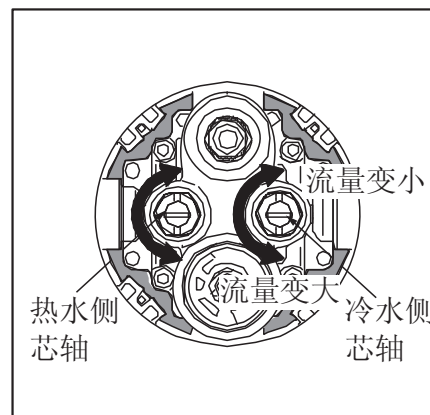


### 滤网的清洗

滤网清洗时，请关闭冷热水进水总阀，然后用套管扳手将逆止阀逆时针旋转拆卸，逆止阀取出后对滤网进行清洗。

### 注意

● 拆卸止水阀前请务必关闭供水。



### 流量的调节

热水止水阀及冷水止水阀均在芯轴顺时方向旋转为流量减小，拧止即可止水；逆时方向旋转为流量增大，拧止时为最大。

# 产品保修卡

用 户	
销售安装店	
购买日	
保修期	自购买日起本体及阀芯保修有效期5年， 其余部件保修期为1年

- \*若上栏内容未记全，该产品保修卡将视为无效。因此请用户购买时对记入内容进行确认。
- \*本产品保修卡中的保修项目仅限于产品保修卡中所约束的免费维修项目进行维修。
- \*在保修期间，若产品发生故障（漏水、渗漏），请用户向销售店或安装店出示产品保修卡及购买发票、提出修理要求。

## 免费维修规定

1. 保修期间, 在用户正确按说明书、不干贴等指示, 使用本公司产品的情况下, 本公司将对有故障产品进行免费维修。
2. 在保修期内发生损坏需得到免费修理时, 请持本产品保修卡和购买发票委托安装店或销售店办理。
3. 在保期内, 下面所列场合的维修为有偿维修。
  - ①使用不当或私自进行的不当修理及改造所造成的故障及损伤。
  - ②安装施工时的不注意或过失造成的故障及损伤。
  - ③安装后又拆移等原因造成的故障及损伤。
  - ④超出使用范围以外的场合下使用本产品所造成的故障及损伤（如家庭用商品作为业务上商品使用。）
  - ⑤砂粒或污物等造成的损伤。
  - ⑥由于日常的维护保养不当造成的肮脏、电镀部分生锈等不良。
  - ⑦由于火灾、地震、水灾、雷击及其他天灾、公害、气害（液化气）、盐害及异常电压、使用指定外的电源（电压、频率）等原因造成的故障及损伤。
  - ⑧本产品保修卡没指定的场合。
  - ⑨本产品保修卡中用户姓名、销售店、安装店、购买日期未填写的场合。
  - ⑩不能出示购买发票的场合。
4. 本产品保修卡仅适用于中国国内。
5. 本产品保修卡丢失不补, 请顾客妥善保管。

# 合格证

本品经检查判定合格

执行标准: QB 2806-2006

GB/T 1334-2013(TBV02105\*场合)

产品型号: 见包装箱上的标签

产品名称: 见包装箱上的标签

生产日期: 见包装箱上的标签

组装工厂: 东陶(大连)有限公司

电 话: (0411) 87624386

厂 址: 大连经济技术开发区东北二街17号

东陶(中国)有限公司

全国售后服务电话: 800-820-9787(固定电话)

400-820-9787(手机用户)

销售商: 东陶(中国)有限公司

地 址: 北京市朝阳区光华路1号 北京嘉里中心北楼1915室

网 址: www.toto.com.cn

# Contents

---

Contents	
Contents .....	1
Detailed list .....	2
Use condition and attentions in use.....	3
Attentions in construction and maintenance .....	4-5
Product schematic diagram .....	6-7
Temperature adjustment .....	8
Using method .....	9
Dismantle and inspection .....	10-11
Product warranty card.....	12

# Detailed list

---

Detailed list	
Main body of faucets.....	1 set
Handle part.....	1 set
Decorating plate .....	1 set
Lining plate part .....	1 set
Fixing cover .....	1 piece
Adjusting screw .....	1 set
Button .....	1 set
Screw .....	4 pieces
Instructions for construction .....	1 copy
Instructions for operation .....	1 copy
The products using this detailed list include:	
TBV02105 * "G Shower" Conceald 3way Push Button Shut Off Valve (Contemporary Type)	
TBV02405 * "G Shower" Conceald Thermostat and 1way Push Button Shut Off Valve (Contemporary Type)	
TBV02406 * "G Shower" Conceald Thermostat and 2way Push Button Shut Off Valve (Contemporary Type)	
TBV02402 * "G Shower" Conceald Thermostat Valve for 3way Push Button (Contemporary Type)	
Note: In case of TBV02405*, there is no handle part. In case of TBV02402*, there is no button, adjusting screw and fixing cover.	



# Use condition and attentions in use

## Use condition

1. Cold water supply\*hot water supply pressure
  - Minimum pressure ..... 0.05MPa (flow pressure)
  - Maximum pressure ..... 1.0MPa (static pressure)
  - Recomm ended pressure ..... 0.1-0.5MPa (flow pressure)
  - A pressure-reducing valve has to be installed when exceeding 0.5MPa.
  - Testing pressure .....1.6MPa (static pressure)
2. The temperature for water supply is 4~90℃. It is suggested to use the temperature of 60±5℃. Do not use steam to supply hot water.
3. The ambient temperature for use is above 0℃. If the ambient temperature is lower than 0℃, the faucets will deform and crack from freezing.
4. To prevent internal sprinkler damage, the water outlet temperature on the sprinkler side shall not exceed 60℃. It is suggested to use a temperature below 45℃.
5. Being out of use for a long time may result in internal and external rust to the faucets and being unable to be used.
6. If you want to scrap this product, do not treat it as you do for general household garbage. Please follow relevant statutes to have it treated, recovered and collected appropriately by an independent recovery system.
7. The product in these instructions has a cleaning function.
  - ※ To attain the best installation and operation effect, it is recommended that the faucet body should be used with the TOTO handheld type series sprinkler in an ancillary manner.

## Attentions in using



Warning:it means that ignoring this mark and misoperation may cause serious personal injury and death.



Attention: it means that ignoring this mark and misoperation may cause personal injury or property loss.

# Attentions in use and maintenance

## Warning

- 1.Children are not allowed to use or can use only under the custody of adult. Such special groups as the aged and disabled should be accompanied by those with behavioral competence when using it.
- 2.The hot water supply side of the faucets is in a condition of high temperature. Do not allow skin to contact with the hardware surface directly. Otherwise,scalding may occur.
3. Do not reverse cold\*hot water pipes. Otherwise, scalding may occur.
4. Do not use steam to supply hot water. Otherwise, scalding may occur.
5. When switching directly from the water outlet side to the shower side or from the shower side to the water outlet side, the water temperature may change. Be sure to use after measuring the water temperature with hand. Otherwise, scalding may occur.
- 6.Turn slowly the temperature adjusting handle. If the temperature adjusting handle is turned rapidly, the temperature may rise or reduce sharply.
7. When the "40" mark on the temperature adjusting handle aligns with the white round dot on the main body of faucet, the water outlet temperature is 40℃; when the temperature adjusting handle is turned upward (without depressing the safety button) until it cannot be turned any more, the water outlet temperature is around 42℃. After using hot water, the temperature adjusting handle must be adjusted below "40" to avoid hot water spraying out when using again.
- 8.You must close the water valve before dismantling and repairing.

## Attentions

1. As the ceramic cartridge is a precise component, do not dismantle it without authorization. Otherwise, such poor conditions as water leakage, etc. may be caused.
- 2.Do not impact the product. Otherwise, failure, water leakage may occur.
- 3.It is imperative to use a neutral detergent in cleaning. Other detergents than a neutral one may damage the plating coat or make the surface discolor.
- 4.Do not use any such detergent as acidic detergent and abstergent, polishing powder, etc. containing thick particles and nylon brush. Otherwise, the plating coat may be damaged, etc.
- 5.It is allowed to use a piece of soft cloth to wipe or use from time to time a piece of cloth immersed in machine oil or vehicle wax to wipe. However, do not contact with resin components. Otherwise, they may lose the gloss and become rusty.
- 6.It is suggested not to leave it unused for a long time. Otherwise, this may lead to internal and external rust to faucets to such a degree that it cannot be used any more, etc.

## Attentions in use and maintenance

7. With the product design being updated constantly, the physical object may not coincide with the figure. However, the basic principle for installation, use is the same.
8. At the moment of pressing the cartridge to open and close, there will be pressure impact sound. This is normal with no functional problem.
9. As water supply inspection is made before ex-factory, there may be water remaining in the faucet. This is not a problem with the product.

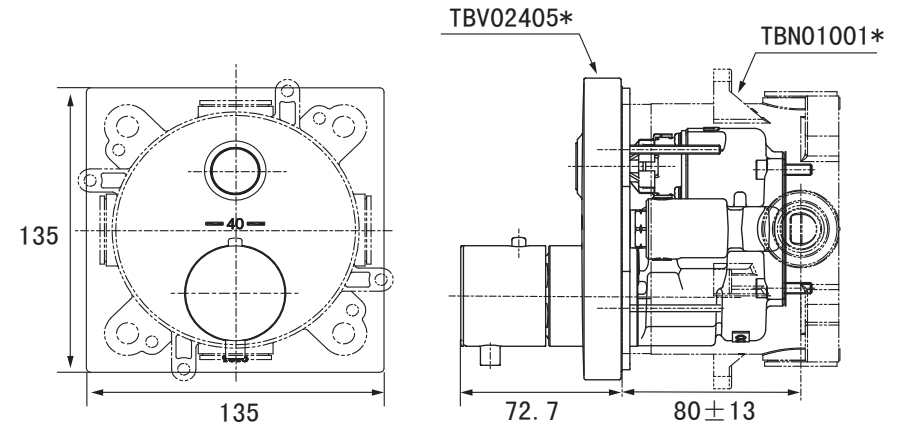
## Maintenance

To maintain a beautiful appearance of the product, the user is requested to conduct maintenance and care in the following method.

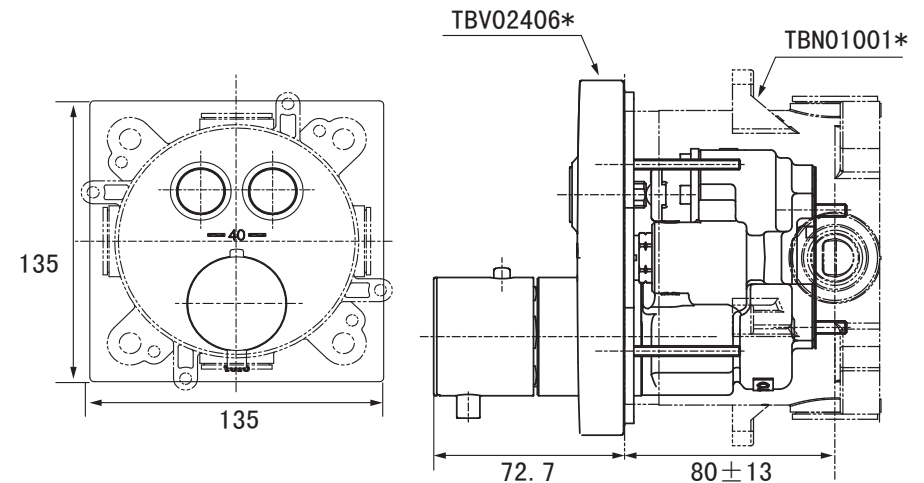
1. Wipe with a piece of soft cloth frequently and use a piece of soft cloth dipped in water to wipe from time to time.
2. When dirt exists obviously, please use water to wash sufficiently after wiping with a neutral detergent.

## Product schematic diagram

TBV02405\* "G Shower" Conceald Thermostat and 1way Push Button Shut Off Valve (Contemporary Type)



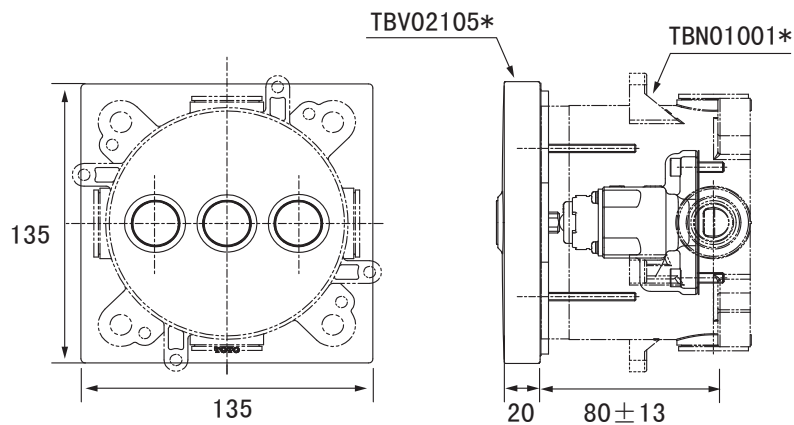
TBV02406\* "G Shower" Conceald Thermostat and 2way Push Button Shut Off Valve (Contemporary Type)



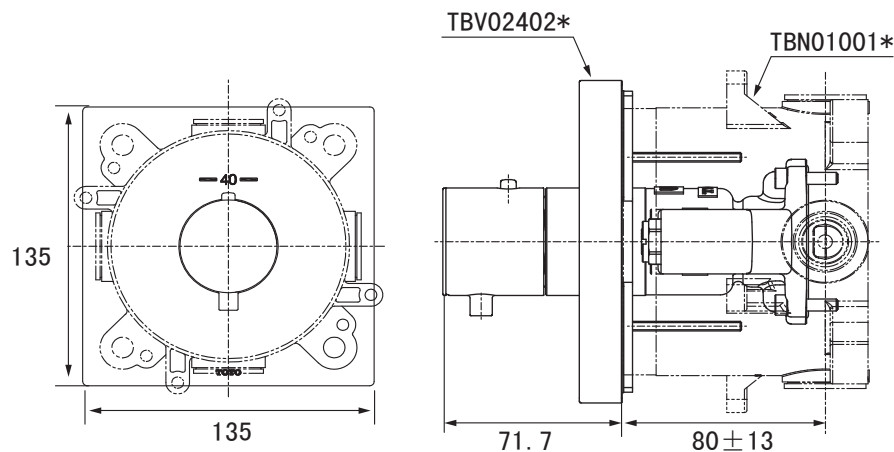
Note: The above dimensional unit is mm.  
The dimensions in ( ) are reference ones.

# Product schematic diagram

TBV02105\* "G Shower" Conceald 3way Push Button Shut Off Valve (Contemporary Type)



TBV02402\* "G Shower" Conceald Thermostat Valve for 3way Push Button (Contemporary Type)



Note: The above dimensional unit is mm.  
The dimensions in ( ) are reference ones.

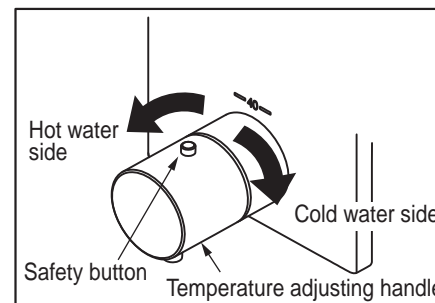
# Temperature adjustment

※In case of TVB02105\*,no temperature adjustment function

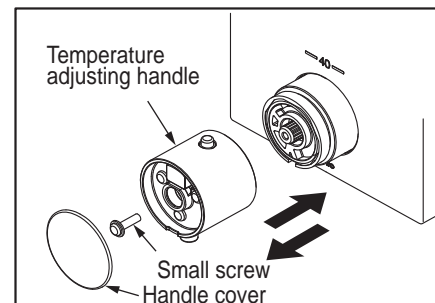
## Confirmation of water outlet temperature

Align the temperature marking line on the temperature adjusting handle with the "40" on the body. Turn the opening and closing handle to allow water coming out from the water outlet. Confirm if the water outlet temperature is  $40 \pm 2^\circ\text{C}$ . If not, please adjust the water outlet temperature by following the main points below.

## Main points for adjustment



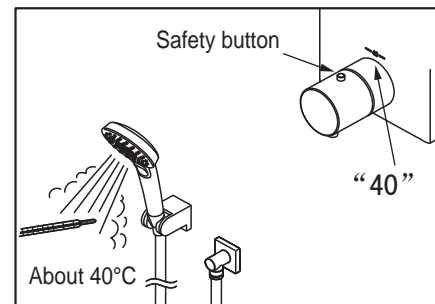
1. Allow water coming out from the sprinkler or water outlet. Turn slowly the temperature adjusting handle until the water outlet temperature reaches  $40^\circ\text{C}$  (that position has nothing to do with the mark "40" on the decorating plate). If turning to the highest water outlet limit, the safety button can be pressed to go on turning.



2. Before removing the handle, please remove the handle cover and small screws.

## Attentions

- When removing the handle cover, please use the thin part of a screwdriver, etc. to pry. Take care not to scratch the attentions plate coat surface. In the process of removal, please ensure that the handle does not rotate.



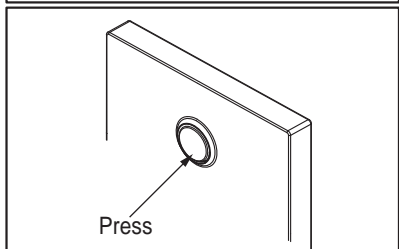
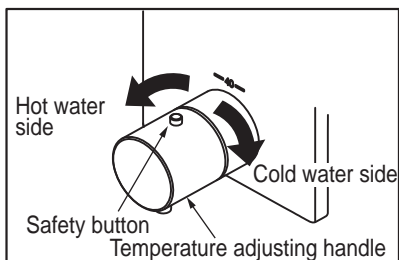
3. Align the handle safety button with the "40" mark and install. After confirming again that the water outlet temperature meets  $40^\circ\text{C}$ , fasten with small screws. At last, put the handle cover on.

# Using method

## 1. Characteristics

- ① Under the action of the thermostat, the outgoing water can be adjusted to a certain temperature automatically. Therefore, even if the pressure of the cold, hot water supplied changes during working, the thermostat temperature will almost have no change.
- ② Adjusting the temperature adjusting handle can reach the desired temperature.
- ③ A filter net is installed to prevent any sand grain or dust in piping from entering into any component.
- ④ The temperature adjusting handle has a safety button and no hot water will spray out even if there is a wrong operation.

## 2. The using methods of different functional parts

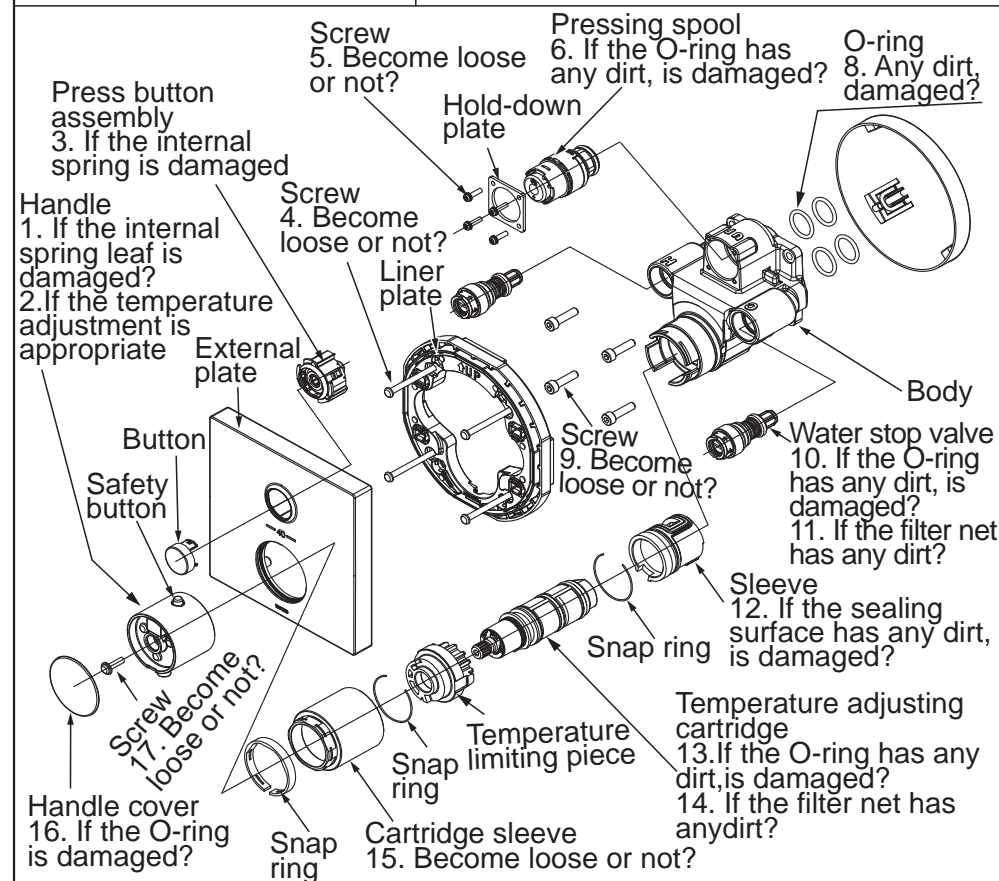


- 3. Press the depressing button and releasing can realize water circuit opening and closing. In case of multiple groups of depressing buttons, switching between opening and closing of different functional products can be realized.  
(In case of TBV02402\*, there is no this function)

- 1. Turn the temperature adjusting handle and adjust the desired water outlet temperature to the 40C mark. The mark "40" represents the standard of water outlet temperature.
- 2. A safety button is provided to prevent hot water from spraying out due to wrong operation. The temperature adjusting handle generally stops around "40". If wanting water with a higher temperature to come out (greater than 40°C), it is imperative to turn the handle at the same time of pressing the safety button. However, in the circumstance that the internal handle structure is not removed and damaged, the highest outgoing water temperature will not exceed 49°C. Please do not use brute force to turn the handle.  
(In case of TBV02105\*, there is no the above function)

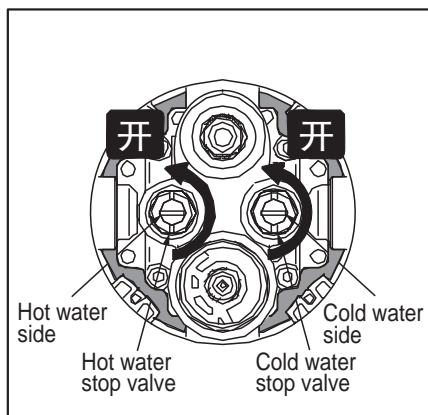
# Dismantle and Inspection

Phenomenon	Inspecting items
The water flow is small	7、 11、 14
Handle, handle cover and lining plate are loose	17、 16、 4
The water flows without stop and water leakage exists	5、 6、 8、 10、 12、 13、 15
Only high temperature occurs	2、 11、 13、 14
Only low temperature occurs	2、 11、 13、 14
Safety button, button do not reset	1、 3



# Dismantle and Inspection

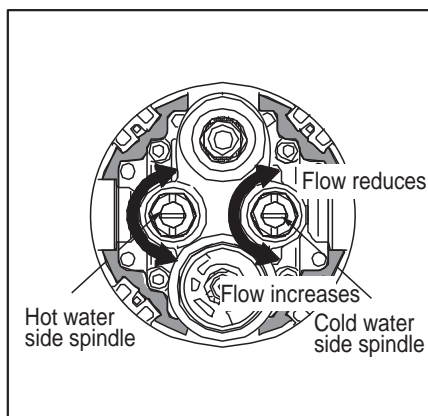
## Water stop valve clearing and flow adjustment



**Filter cleaning**  
In cleaning the filter net, please close the main valve for cold and hot water inlet. Then use a socket wrench to turn the check valve anticlockwise for removal. After the check valve is taken out, do cleaning to the filter net.

### Attentions

- Before removing the water stop valve, please be sure to close the water supply valve.



**Flow adjustment**  
For both the hot water stop valve and cold water stop valve, the flow reduces at the clockwise direction. Water can be stopped just by turning to stop. The anticlockwise direction is the direction at which flow increases. The flow becomes maximal when turning to stop.

# Product Warranty Card

User	Inspecting items
Sales shop or installation shop	
Date of buying	
Warranty period	The warranty is effective for a period of one(1) year from the date of purchase.

- \* If the contents in the above column are not complete, the product warranty card shall be deemed as invalid. Therefore, user should confirm the contents put in at the time of buying.
- \* The items covered in this product warranty card are only limited to repair to those free repair items as agreed in the product warranty card.
- \* During the warranty period, if any failure occurs to the product (water leakage, seepage), the user is requested to show the product warranty card and buying invoice to the sales shop or installation shop for making a repair requirement.

## Free Repair Regulations

1. During the warranty period, if the user uses the products of the company correctly according to relevant instructions, adhesive labels, the company will provide free repair to any faulty product.
2. When any free repair is required due to damage within the warranty period, please bear this warranty and the buying invoice to entrust the installation shop or sales shop to handle it.
3. Within the warranty period, the repair in the following occasions is paid repair.
  - ① Any failure and damage due to any improper use or any improper repair and modification conducted privately.
  - ② Any failure and damage resulting from any carelessness or fault in installation construction.
  - ③ Any failure and damage attributed to such reasons as removal for relocation after installation, etc.
  - ④ Any failure and damage due to using this product in occasions beyond the specified scope of use (for example, home commodity is used for any business purpose).
  - ⑤ Any damage caused by sand grains or dirt, etc.
  - ⑥ Such adverse results as dirtiness, plating part rusting, etc. attributed to improper daily maintenance and care.
  - ⑦ Any failure and damage due to fire, earthquake, flood, lightning strike and other natural disasters, public nuisances, gas damage (liquefied gas), salt damage and abnormal voltage, use of any power supply (voltage, frequency) other than the specified ones, etc.
  - ⑧ The occasions not specified in this warranty.
  - ⑨ The occasion in which the user name, sales shop, installation shop or buying date is not filled in.
  - ⑩ No buying invoice can be presented.
4. This product warranty card is applicable to China only.
5. This product warranty card shall not be reissued when being lost. Customers are requested to keep it properly.

TOTO Asia Oceania Pte. Ltd.

telephone:65-6744-6955

FAX: 65-6841-0819

Address: 10 Eunos Road 8 #12-07 Singapore Post Centre  
Singapore 408600

Website:asia.toto.com

TOTO KOREA LTD.

전화번호 : (02)-3141-8236

FAX 번호 : (02)-3141-8240

주소 : 서울시 마포구 상수동 351-16번지 로이코빌딩 3층

홈페이지 : <http://www.totokr.co.kr>